

**EJX510B and EJX530B  
Absolute and Gauge Pressure  
Transmitters**

IM 01C27F01-01EN

**vigilantplant**<sup>®</sup>

**DPharp**  
*FOR THE DIGITAL WORLD*

# EJX510B and EJX530B

## Absolute and Gauge Pressure Transmitters

IM 01C27F01-01EN 9th Edition

### Contents

<b>1.</b>	<b>Introduction.....</b>	<b>1-1</b>
1.1	Safe Use of This Product .....	1-2
1.2	Radio Wave .....	1-3
1.3	Warranty.....	1-3
1.4	Trademarks .....	1-3
1.5	ATEX Documentation .....	1-4
<b>2.</b>	<b>Handling Cautions.....</b>	<b>2-1</b>
2.1	Model and Specifications Check.....	2-1
2.2	Unpacking.....	2-1
2.3	Storage .....	2-1
2.4	Selecting the Installation Location .....	2-2
2.5	Pressure Connection.....	2-3
2.6	Restrictions on Use of Radio Transceivers .....	2-3
2.7	Insulation Resistance and Dielectric Strength Test.....	2-3
2.8	Installation of an Explosion-Protected Instrument .....	2-4
2.8.1	FM Approval.....	2-4
2.8.2	CSA Certification.....	2-5
2.8.3	ATEX Certification .....	2-6
2.8.4	IECEX Certification.....	2-7
2.9	EMC Conformity Standards .....	2-8
2.10	Pressure Equipment Directive (PED) $\text{CE}_{0038}$ .....	2-8
2.11	Low Voltage Directive .....	2-9
2.12	Regulatory Compliance for Radio and Telecommunication.....	2-9
2.12.1	Radio and Telecommunications Terminal Equipment Directive (R&TTE) $\text{CE}$ .....	2-9
2.12.2	FCC compliance .....	2-9
2.12.3	Industry Canada (IC) compliance .....	2-10
<b>3.</b>	<b>Component Names .....</b>	<b>3-1</b>
<b>4.</b>	<b>Installation.....</b>	<b>4-1</b>
4.1	Precautions .....	4-1
4.2	Mounting .....	4-1
4.3	Rotating Transmitter Section.....	4-2
4.4	Changing the Direction of Integral Indicator .....	4-2
4.5	Changing the direction of the antenna .....	4-3

---

<b>5.</b>	<b>Installing Impulse Piping</b> .....	<b>5-1</b>
<b>5.1</b>	<b>Impulse Piping Installation Precautions</b> .....	<b>5-1</b>
5.1.1	Connecting Impulse Piping to a Transmitter .....	5-1
5.1.2	Routing the Impulse Piping .....	5-1
<b>5.2</b>	<b>Impulse Piping Connection Examples</b> .....	<b>5-2</b>
<b>6.</b>	<b>Wiring</b> .....	<b>6-1</b>
<b>6.1</b>	<b>Mounting Antenna and Wiring</b> .....	<b>6-1</b>
6.1.1	Mounting the antenna .....	6-1
6.1.2	Mounting External Antenna and Wiring Antenna Extension Cable ...	6-2
6.1.2.1	Mounting of External Antenna .....	6-2
6.1.2.2	Wiring of Antenna Extension Cable .....	6-2
6.1.2.3	Mounting of Arrester and Wiring .....	6-4
<b>6.2</b>	<b>Grounding</b> .....	<b>6-4</b>
<b>7.</b>	<b>Operation</b> .....	<b>7-1</b>
<b>7.1</b>	<b>Preparation for Starting Operation</b> .....	<b>7-1</b>
<b>7.2</b>	<b>Zero Point Adjustment</b> .....	<b>7-2</b>
<b>7.3</b>	<b>Starting Operation</b> .....	<b>7-2</b>
<b>7.4</b>	<b>Connecting to the Field Wireless Network</b> .....	<b>7-3</b>
<b>7.5</b>	<b>Shutting Down the Transmitter</b> .....	<b>7-5</b>
<b>8.</b>	<b>Setting Parameters</b> .....	<b>8-1</b>
<b>8.1</b>	<b>Environment for parameter setting</b> .....	<b>8-1</b>
<b>8.2</b>	<b>Preparing Software</b> .....	<b>8-1</b>
8.2.1	Softwares for the Field Wireless Configuration Tool and the Device Configuration Tool .....	8-1
8.2.2	Software Download .....	8-1
<b>8.3</b>	<b>Setting Parameters</b> .....	<b>8-1</b>
8.3.1	Parameter Usage and Selection .....	8-1
8.3.2	Function Block and Menu Tree .....	8-2
8.3.3	Parameters for Wireless Communication .....	8-17
8.3.4	Tag and Device Information .....	8-18
8.3.5	Unit .....	8-18
8.3.6	Range Change .....	8-18
8.3.7	Output Signal Low Cut Mode Setup .....	8-18
8.3.8	Integral Indicator Scale Setup .....	8-19
8.3.9	Unit for Displayed Temperature .....	8-19
8.3.10	Zero Point Adjustment and Span Adjustment .....	8-19
8.3.11	Software Write Protect .....	8-21
8.3.12	Switching to Deep Sleep Mode .....	8-22
8.3.13	Switching to Silence Mode .....	8-22

8.4	<b>Self-Diagnostics</b> .....	<b>8-23</b>
8.4.1	Identify Problems by Using the Device Configuration Tool.....	8-23
8.4.2	Alert Report.....	8-24
8.4.3	Checking with Integral Indicator.....	8-26
<b>9.</b>	<b>Maintenance</b> .....	<b>9-1</b>
9.1	<b>Overview</b> .....	<b>9-1</b>
9.2	<b>Calibration Instruments Selection</b> .....	<b>9-1</b>
9.3	<b>Calibration</b> .....	<b>9-1</b>
9.4	<b>Disassembly and Reassembly</b> .....	<b>9-3</b>
9.4.1	Replacing the Integral Indicator.....	9-4
9.4.2	Replacing the RF Assembly.....	9-4
9.4.3	Replacing the CPU Assembly.....	9-4
9.4.4	Cleaning and Replacing the Capsule Assembly.....	9-5
9.4.5	Replacing the Battery Pack.....	9-6
9.4.6	Replacing the Batteries.....	9-6
9.4.7	Handling Batteries.....	9-7
9.5	<b>Troubleshooting</b> .....	<b>9-8</b>
9.5.1	Basic Troubleshooting.....	9-8
9.5.2	Troubleshooting Flowcharts.....	9-9
9.5.3	Errors and Countermeasures.....	9-11
<b>10.</b>	<b>Parameter Summary</b> .....	<b>10-1</b>
<b>11.</b>	<b>General Specifications</b> .....	<b>11-1</b>
11.1	<b>Standard Specifications</b> .....	<b>11-1</b>
11.2	<b>Model and Suffix Codes</b> .....	<b>11-3</b>
11.3	<b>Optional Specifications</b> .....	<b>11-3</b>
11.4	<b>Dimensions</b> .....	<b>11-5</b>

## Revision Information

# 1. Introduction

Thank you for purchasing the DPharp EJX Pressure transmitter.

Your EJX Pressure Transmitter was precisely calibrated at the factory before shipment. To ensure both safety and efficiency, please read this manual carefully before you operate the instrument.



## NOTE

This manual covers the EJX510B absolute pressure transmitter and EJX530B gauge pressure transmitter. and describes how to use for not only the integral antenna type transmitters but also the detachable antenna ones. Unless otherwise stated, the illustrations in this manual are of the EJX530B gauge pressure transmitter with an integral antenna type. Users of the other models and specifications should bear in mind that certain features of their instrument will differ from those shown in the illustrations of the EJX530B.

Model
EJX510B
EJX530B

### ■ Regarding This Manual

- This manual should be provided to the end user.
- The contents of this manual are subject to change without prior notice.
- All rights reserved. No part of this manual may be reproduced in any form without Yokogawa’s written permission.
- Yokogawa makes no warranty of any kind with regard to this manual, including, but not limited to, implied warranty of merchantability and fitness for a particular purpose.
- If any question arises or errors are found, or if any information is missing from this manual, please inform the nearest Yokogawa sales office.
- The specifications covered by this manual are limited to those for the standard type under the specified model number break-down and do not cover custom-made instruments.

- Please note that changes in the specifications, construction, or component parts of the instrument may not immediately be reflected in this manual at the time of change, provided that postponement of revisions will not cause difficulty to the user from a functional or performance standpoint.
- Yokogawa assumes no responsibilities for this product except as stated in the warranty.
- If the customer or any third party is harmed by the use of this product, Yokogawa assumes no responsibility for any such harm owing to any defects in the product which were not predictable, or for any indirect damages.
- The following safety symbols are used in this manual and on the product:



## WARNING

Indicates a potentially hazardous situation which, if not avoided, could result in death or serious injury.



## CAUTION

Indicates a potentially hazardous situation which, if not avoided, may result in minor or moderate injury or physical damage. It may also be used to alert against unsafe practices.



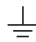
## IMPORTANT


Indicates that operating the hardware or software in this manner may damage it or lead to system failure.



## NOTE

Draws attention to information essential for understanding the operation and features.

 Functional grounding terminal

 Caution  
This symbol indicates that the operator must refer to an explanation in the user's manual in order to avoid the risk of injury or death of personnel or damage to the instrument.

## 1.1 Safe Use of This Product

For the safety of the operator and to protect the instrument and the system, please be sure to follow this manual's safety instructions when handling this instrument. If these instructions are not heeded, the protection provided by this instrument may be impaired. In this case, Yokogawa cannot guarantee that the instrument can be safely operated. Please pay special attention to the following points:

### (a) Installation

- This instrument may only be installed by an engineer or technician who has an expert knowledge of this device. Operators are not allowed to carry out installation unless they meet this condition.
- With high process temperatures, care must be taken not to burn yourself by touching the instrument or its casing.
- Never loosen the process connector nuts when the instrument is installed in a process. This can lead to a sudden, explosive release of process fluids.
- When draining condensate from the pressure detector section, take appropriate precautions to prevent the inhalation of harmful vapors and the contact of toxic process fluids with the skin or eyes.
- When removing the instrument from a hazardous process, avoid contact with the fluid and the interior of the meter.
- All installation shall comply with local installation requirements and the local electrical code.

### (b) Wiring

- The instrument must be installed by an engineer or technician who has an expert knowledge of this instrument. Operators are not permitted to carry out wiring unless they meet this condition.

### (c) Maintenance

- Please carry out only the maintenance procedures described in this manual. If you require further assistance, please contact the nearest Yokogawa office.
- Care should be taken to prevent the build up of dust or other materials on the display glass and the name plate. To clean these surfaces, use a soft, dry cloth.

### (d) Explosion Protected Type Instrument

- Users of explosion proof instruments should refer first to Section 2.8 (Installation of an Explosion-Protected Instrument) of this manual.
- The use of this instrument is restricted to those who have received appropriate training in the device.
- Take care not to create sparks when accessing the instrument or peripheral devices in a hazardous location.
- Repair or modification to this instrument by customer will cause malfunction of explosion protect function and hazardous situation. If you need to repair or modification, please contact the nearest Yokogawa office.

### (e) Modification

- Yokogawa will not be liable for malfunctions or damage resulting from any modification made to this instrument by the customer.

## 1.2 Radio Wave



### IMPORTANT

- This instrument is equipped with a wireless module which is designated as a certification of construction type as a wireless facility for 2.4 GHz band low-power data communication system of the Radio Act. Refer to 2.12 “Regulatory Compliance for Radio and Telecommunication” for detail.
- Due to the designated certification of construction type, users may be subject to legal punishment in case of:
  - Disassembling or modifying the wireless module or antenna in this instrument
  - Peeling off the certification label attached to the wireless module in this instrument

- Preventing interference with other wireless stations  
The operating frequency bandwidth of this instrument may overlap the same range as industrial devices, scientific devices, medical devices, microwave ovens, licensed premises radio stations and non-licensed specified low-power radio stations for mobile object identification systems used in factory production lines.

Before using this instrument, ensure that neither a premises radio station nor specified low power radio station for mobile object identification systems is in use nearby. If this instrument causes radio wave interference to a wireless station for mobile object identification systems, promptly change the frequency being used or turn off the source of radio wave emissions. Then, contact a Yokogawa office regarding countermeasures to prevent interference, such as setting up partitions.

## 1.3 Warranty

- The warranty shall cover the period noted on the quotation presented to the purchaser at the time of purchase. Problems occurring during the warranty period shall basically be repaired free of charge.

- If any problems are experienced with this instrument, the customer should contact the Yokogawa representative from which this instrument was purchased or the nearest Yokogawa office.
- If a problem arises with this instrument, please inform us of the nature of the problem and the circumstances under which it developed, including the model specification and serial number. Any diagrams, data and other information you can include in your communication will also be helpful.
- The party responsible for the cost of fixing the problem shall be determined by Yokogawa following an investigation conducted by Yokogawa.
- The purchaser shall bear the responsibility for repair costs, even during the warranty period, if the malfunction is due to:
  - Improper and/or inadequate maintenance by the purchaser.
  - Malfunction or damage due to a failure to handle, use, or store the instrument in accordance with the design specifications.
  - Use of the product in question in a location not conforming to the standards specified by Yokogawa, or due to improper maintenance of the installation location.
  - Failure or damage due to modification or repair by any party except Yokogawa or an approved representative of Yokogawa.
  - Malfunction or damage from improper relocation of the product in question after delivery.
  - Reason of force majeure such as fires, earthquakes, storms/floods, thunder/lightening, or other natural disasters, or disturbances, riots, warfare, or radioactive contamination.

## 1.4 Trademarks

In this document, trademarks or registered trademarks are not marked with “™” or “®”.

Product names and company names in this document are trademarks or registered trademarks of the respective companies.



## 1.5 ATEX Documentation

This is only applicable to the countries in European Union.

- |  |   |
|--|---|
| <p><b>GB</b> All instruction manuals for ATEX Ex related products are available in English, German and French. Should you require Ex related instructions in your local language, you are to contact your nearest Yokogawa office or representative.</p>   | <p><b>SK</b> Všetky návody na obsluhu pre prístroje s ATEX Ex sú k dispozícii v jazyku anglickom, nemeckom a francúzskom. V prípade potreby návodu pre Ex-prístroje vo Vašom národnom jazyku, skontaktujte prosím miestnu kanceláriu firmy Yokogawa.</p>  |
| <p><b>DK</b> Alle brugervejledninger for produkter relateret til ATEX Ex er tilgængelige på engelsk, tysk og fransk. Skulle De ønske yderligere oplysninger om håndtering af Ex produkter på eget sprog, kan De rette henvendelse herom til den nærmeste Yokogawa afdeling eller forhandler.</p>   | <p><b>CZ</b> Všechny uživatelské příručky pro výrobky, na něž se vztahuje nevybušné schválení ATEX Ex, jsou dostupné v angličtině, němčině a francouzštině. Požadujete-li pokyny týkající se výrobků s nevybušným schválením ve vašem lokálním jazyku, kontaktujte prosím vaši nejbližší reprezentační kancelář Yokogawa.</p> |
| <p><b>I</b> Tutti i manuali operativi di prodotti ATEX contrassegnati con Ex sono disponibili in inglese, tedesco e francese. Se si desidera ricevere i manuali operativi di prodotti Ex in lingua locale, mettersi in contatto con l'ufficio Yokogawa più vicino o con un rappresentante.</p>   | <p><b>LT</b> Visos gaminių ATEX Ex kategorijos Eksploatavimo instrukcijos teikiama anglų, vokiečių ir prancūzų kalbomis. Norėdami gauti prietaisų Ex dokumentaciją kitomis kalbomis susisiekite su artimiausiu bendrovės "Yokogawa" biuru arba atstovu.</p>   |
| <p><b>E</b> Todos los manuales de instrucciones para los productos antiexplosivos de ATEX están disponibles en inglés, alemán y francés. Si desea solicitar las instrucciones de estos artículos antiexplosivos en su idioma local, deberá ponerse en contacto con la oficina o el representante de Yokogawa más cercano.</p>                    | <p><b>LV</b> Visas ATEX Ex kategorijas izstrādājumu Lietošanas instrukcijas tiek piegādātas angļu, vācu un franču valodās. Ja vēlaties saņemt Ex ierīšu dokumentāciju citā valodā, Jums ir jāsazinās ar firmas Jokogava (Yokogawa) tuvāko ofisu vai pārstāvi.</p>   |
| <p><b>NL</b> Alle handleidingen voor producten die te maken hebben met ATEX explosiebeveiliging (Ex) zijn verkrijgbaar in het Engels, Duits en Frans. Neem, indien u aanwijzingen op het gebied van explosiebeveiliging nodig hebt in uw eigen taal, contact op met de dichtstbijzijnde vestiging van Yokogawa of met een vertegenwoordiger.</p> | <p><b>EST</b> Kõik ATEX Ex toodete kasutamisujuhendid on esitatud inglise, saksa ja prantsuse keeles. Ex seadmete muukeelse dokumentatsiooni saamiseks pöörduge lähima lokagava (Yokogawa) kontori või esindaja poole.</p>  |
| <p><b>SF</b> Kaikkien ATEX Ex -tyyppisten tuotteiden käyttöohjeet ovat saatavilla englannin-, saksan- ja ranskankielisinä. Mikäli tarvitsette Ex -tyyppisten tuotteiden ohjeita omalla paikallisella kielellänne, ottakaa yhteyttä lähimpään Yokogawa-toimistoon tai -edustajaan.</p>  | <p><b>PL</b> Wszystkie instrukcje obsługi dla urządzeń w wykonaniu przeciwwybuchowym Ex, zgodnych z wymaganiami ATEX, dostępne są w języku angielskim, niemieckim i francuskim. Jeżeli wymagana jest instrukcja obsługi w Państwa lokalnym języku, prosimy o kontakt z najbliższym biurem Yokogawy.</p>                       |
| <p><b>P</b> Todos os manuais de instruções referentes aos produtos Ex da ATEX estão disponíveis em Inglês, Alemão e Francês. Se necessitar de instruções na sua língua relacionadas com produtos Ex, deverá entrar em contacto com a delegação mais próxima ou com um representante da Yokogawa.</p>   | <p><b>SLO</b> Vsi predpisi in navodila za ATEX Ex sorodni pridelki so pri roki v angleščini, nemščini ter francoščini. Če so Ex sorodna navodila potrebna v vašem tukejnem jeziku, kontaktirajte vaš najbližji Yokogawa office ili predstavnika.</p>  |
| <p><b>F</b> Tous les manuels d'instruction des produits ATEX Ex sont disponibles en langue anglaise, allemande et française. Si vous nécessitez des instructions relatives aux produits Ex dans votre langue, veuillez bien contacter votre représentant Yokogawa le plus proche.</p>  | <p><b>H</b> Az ATEX Ex műszerek gépkönyveit angol, német és francia nyelven adjuk ki. Amennyiben helyi nyelven kérjük az Ex eszközök leírásait, kérjük keressék fel a legközelebbi Yokogawa irodát, vagy képviselőtet.</p>  |
| <p><b>D</b> Alle Betriebsanleitungen für ATEX Ex bezogene Produkte stehen in den Sprachen Englisch, Deutsch und Französisch zur Verfügung. Sollten Sie die Betriebsanleitungen für Ex-Produkte in Ihrer Landessprache benötigen, setzen Sie sich bitte mit Ihrem örtlichen Yokogawa-Vertreter in Verbindung.</p>                                 | <p><b>BG</b> Всички упътвания за продукти от серията ATEX Ex се предлагат на английски, немски и френски език. Ако се нуждаете от упътвания за продукти от серията Ex на родния ви език, се свържете с най-близкия офис или представителство на фирма Yokogawa.</p>   |
| <p><b>S</b> Alla instruktionsböcker för ATEX Ex (explosionssäkra) produkter är tillgängliga på engelska, tyska och franska. Om Ni behöver instruktioner för dessa explosionssäkra produkter på annat språk, skall Ni kontakta närmaste Yokogawakontor eller representant.</p>  | <p><b>RO</b> Toate manualele de instructiuni pentru produsele ATEX Ex sunt in limba engleza, germana si franceza. In cazul in care doriti instructiunile in limba locala, trebuie sa contactati cel mai apropiat birou sau reprezentant Yokogawa.</p>   |
| <p><b>GR</b> Όλα τα εγχειρίδια λειτουργίας των προϊόντων με ATEX Ex διατίθενται στα Αγγλικά, Γερμανικά και Γαλλικά. Σε περίπτωση που χρειάζεστε οδηγίες σχετικά με Ex στην τοπική γλώσσα παρακαλούμε επικοινωνήστε με το πλησιέστερο γραφείο της Yokogawa ή αντιπρόσωπο της.</p>   | <p><b>M</b> Il-manwali kollha ta' l-istruzzjonijiet għal prodotti marbuta ma' ATEX Ex huma disponibbli bl-Ingliż, bil-Germaniż u bil-Franċiż. Jekk tkun tehtieg struzzjonijiet marbuta ma' Ex fil-lingwa lokali tiegħek, għandek tikkuntattja lill-eqreb rappreżentant jew ufficiju ta' Yokogawa.</p>                         |



# 2. Handling Cautions

This chapter provides important information on how to handle the transmitter. Read this carefully before using the transmitter.

EJX Series transmitters are thoroughly tested at the factory before shipment. When taking delivery of an instrument, visually check them to make sure that no damage occurred during shipment.

Also check that all transmitter mounting hardware shown in figure 2.1 is included. If the transmitter is ordered without the mounting bracket and the process connector, the transmitter mounting hardware will not be included. After checking the transmitter, carefully repack it in its box and keep it there until you are ready to install it.

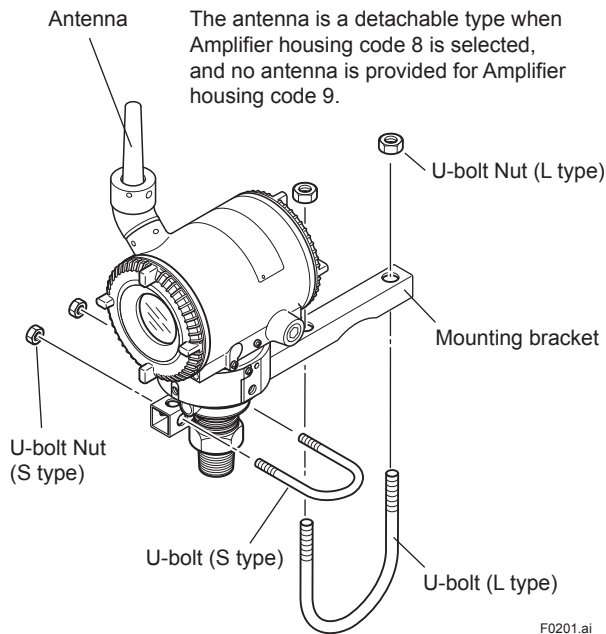


Figure 2.1 Transmitter Mounting Hardware

## 2.1 Model and Specifications Check

The model name and specifications are written on the name plate attached to the case.

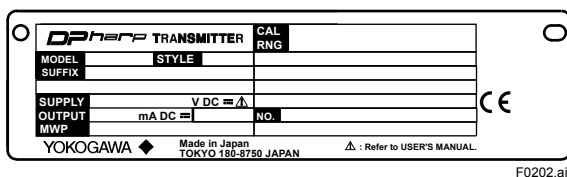


Figure 2.2 Name Plate

## 2.2 Unpacking

Keep the transmitter in its original packaging to prevent it from being damaged during shipment. Do not unpack the transmitter until it reaches the installation site.

## 2.3 Storage

The following precautions must be observed when storing the instrument, especially for a long period.

(a) Select a storage area which meets the following conditions:

- It is not exposed to rain or subject to water seepage/leaks.
- Vibration and shock are kept to a minimum.
- It has an ambient temperature and relative humidity within the following ranges.

Ambient temperature:

- 40 to 85°C
- 30 to 80°C LCD visible range

Relative humidity:

- 0% to 100% R.H.

Preferred temperature and humidity:

- approx. 25°C and 65% R.H.

(b) When storing the transmitter, repack it carefully in the packaging that it was originally shipped with.

(c) If the transmitter has been used, thoroughly clean the chambers inside the cover flanges, so that there is no process fluid remaining inside. Before placing it in storage, also make sure that the pressure-detector is securely connected to the transmitter section.

(d) Preferably remove the batteries for storage. For maximum battery life, the storage temperature should not exceed 30°C.



### NOTE

When storing the instrument with a battery pack, it is recommended to put the instrument in Deep Sleep mode to conserve the batteries. For details on how to switch to Deep Sleep mode, refer to subsection 8.3.12 "Switching to Deep Sleep Mode".

## 2.4 Selecting the Installation Location

The transmitter is designed to withstand severe environmental conditions. However, to ensure that it will provide years of stable and accurate performance, take the following precautions when selecting the installation location.

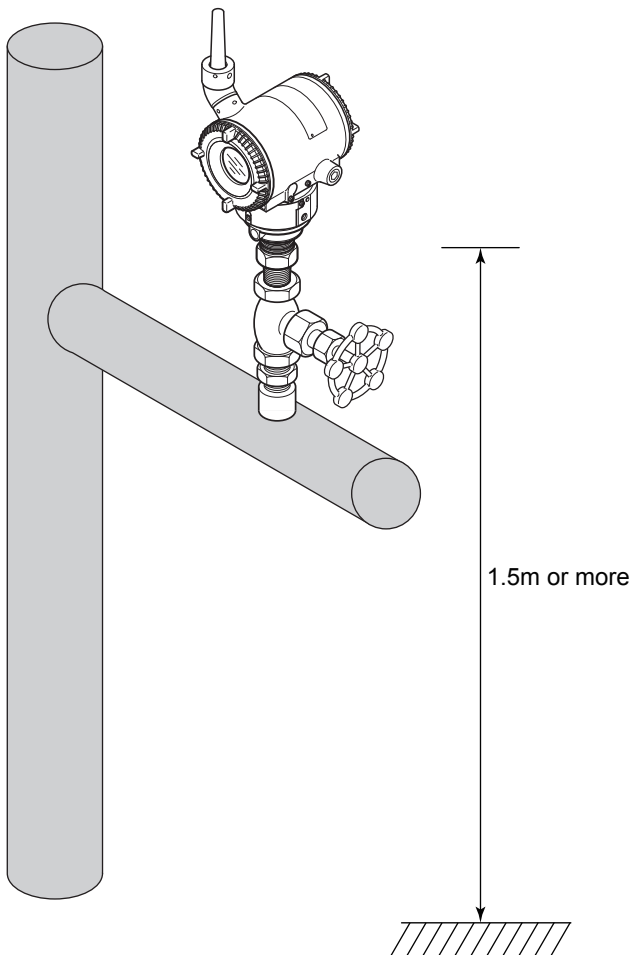
### (a) Wireless Communication



### NOTE

The installation location of this transmitter must meet the following conditions:

- Adjust the direction of the antenna to be in the upright position regardless of the orientation of this transmitter. See section 4 for adjusting the antenna.
- Install the transmitter at least 1.5m above the ground or floor.



F0203.ai

- Ensure that there are no obstacles such as walls or pipes within a 30-cm radius of each antenna.
- Confirm that each field wireless equipment compliant with ISA100.11a can see the antenna of other devices which locate within its own communication range. In the star topology network, the visibility to the antenna of gateway is a mandatory clause.

### (b) Ambient Temperature

Avoid locations subject to wide temperature variations or a significant temperature gradient. If the location is exposed to radiant heat from plant equipment, provide adequate thermal insulation and/or ventilation.

### (c) Ambient Atmosphere

Do not install the transmitter in a corrosive atmosphere. If this cannot be avoided, there must be adequate ventilation.

### (d) Shock and Vibration

Although the transmitter is designed to be relatively resistant to shock and vibration, an installation site should be selected where this is kept to a minimum.

### (e) Installation of Explosion-protected Transmitters

An explosion-protected transmitters is certified for installation in a hazardous area containing specific gas types. See subsection 2.8 "Installation of an Explosion-Protected Transmitters."

## 2.5 Pressure Connection



### WARNING

- Never loosen the process connector bolts when an instrument is installed in a process. The device is under pressure, and a loss of seal can result in a sudden and uncontrolled release of process fluid.
- When draining toxic process fluids that have condensed inside the pressure detector, take appropriate steps to prevent the contact of such fluids with the skin or eyes and the inhalation of vapors from these fluids.

The following precautions must be observed in order to safely operate the transmitter under pressure.

- (a) Make sure that all the process connector bolts are tightened firmly.
- (b) Make sure that there are no leaks in the impulse piping.
- (c) Never apply a pressure higher than the specified maximum working pressure.

## 2.6 Restrictions on Use of Radio Transceivers



### IMPORTANT

Although the transmitter has been designed to resist high frequency electrical noise, if a radio transceiver is used near the transmitter or its external wiring, the transmitter may be affected by high frequency noise pickup. To test this, start out from a distance of several meters and slowly approach the transmitter with the transceiver while observing the measurement loop for noise effects. Thereafter use the transceiver outside the range where the noise effects were first observed.

## 2.7 Insulation Resistance and Dielectric Strength Test

Since the transmitter has undergone insulation resistance and dielectric strength tests at the factory before shipment, normally these tests are not required. If the need arises to conduct these tests, heed the following:

- (a) Do not perform such tests more frequently than is absolutely necessary. Even test voltages that do not cause visible damage to the insulation may degrade the insulation and reduce safety margins.
- (b) Never apply a voltage exceeding 500 V DC (100 V DC with an internal lightning protector) for the insulation resistance test, nor a voltage exceeding 500 V AC (100 V AC with an internal lightning protector) for the dielectric strength test.
- (c) The procedure for conducting these tests is as follows:

- **Insulation Resistance Test**

- 1) Remove the battery pack. See subsection 9.4.5 for details on how to remove it.
- 2) Short-circuit the battery connection terminals in the terminal box.
- 3) Turn OFF the insulation tester. Then connect the insulation tester plus (+) lead wire to the shorted battery connection terminals and the minus (–) leadwire to the grounding terminal.
- 4) Turn ON the insulation tester power and measure the insulation resistance. The voltage should be applied as briefly as possible to verify that the insulation resistance is at least 20 MΩ.
- 5) After completing the test and being very careful not to touch exposed conductors disconnect the insulation tester and connect a 100 kΩ resistor between the grounding terminal and the short-circuiting battery connection terminals. Leave this resistor connected at least one second to discharge any static potential. Do not touch the terminals while it is discharging.

**NOTE**

When storing the instrument with a battery pack, it is recommended to put the instrument in Deep Sleep mode to conserve the batteries. For details on how to switch to Deep Sleep mode, refer to subsection 8.3.12 “Switching to Deep Sleep Mode”.

- **Dielectric Strength Test**

- 1) Remove the battery pack. See subsection 9.4.5 for details on how to remove it.
- 2) Short-circuit the battery connection terminals in the terminal box.
- 3) Turn OFF the dielectric strength tester. Then connect the tester between the shorted battery connection terminals and the grounding terminal. Be sure to connect the grounding lead of the dielectric strength tester to the ground terminal.
- 4) Set the current limit on the dielectric strength tester to 0.1 mA, then turn ON the power and gradually increase the test voltage from ‘0’ to the specified voltage.
- 5) When the specified voltage is reached, hold it for one minute.
- 6) After completing this test, slowly decrease the voltage to avoid any voltage surges.

**NOTE**

When storing the instrument with a battery pack, it is recommended to put the instrument in Deep Sleep mode to conserve the batteries. For details on how to switch to Deep Sleep mode, refer to subsection 8.3.12 “Switching to Deep Sleep Mode”.

## 2.8 Installation of an Explosion-Protected Instrument

If a customer makes a repair or modification to an intrinsically safe instrument and the instrument is not restored to its original condition, its intrinsically safe construction may be compromised and the instrument may be hazardous to operate. Please contact Yokogawa before making any repair or modification to an instrument.

**CAUTION**

This instrument has been tested and certified as being intrinsically safe. Please note that severe restrictions apply to this instrument’s construction, installation, external wiring, maintenance and repair. A failure to abide by these restrictions could make the instrument a hazard to operate.

**WARNING**

The battery pack may be replaced in a hazardous area. The battery pack has surface resistivity greater than 1G ohm and must be properly installed in the enclosure of the transmitter. Care must be taken during transportation to and from the point of installation to prevent electrostatic charge build-up.

### 2.8.1 FM Approval

Caution for FM intrinsically safe type. (Following contents refer “DOC. No. IFM037-A20”)

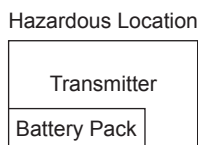
- Note 1. Model EJX Series Differential, gauge and absolute pressure transmitters with optional code /FS17 are applicable for use in hazardous locations.
- Applicable Standard: Class 3600, Class 3610, Class 3611, Class 3810, NEMA 250, ANSI/ISA-60079-0, ANSI/ISA-60079-11
  - Intrinsically Safe for Class I, Division 1, Groups A, B, C & D, Class II, Division 1, Groups E, F & G and Class III, Division 1, Class I, Zone 0, in Hazardous Locations, AEx ia IIC
  - Nonincendive for Class I, Division 2, Groups A, B, C & D, Class II, Division 2, Groups F & G and Class III, Division 1, Class I, Zone 2, Groups IIC, in Hazardous Locations.
  - Enclosure: NEMA 4X (Indoors and outdoors).
  - Temperature Class: T4
  - Ambient temperature: -50 to 70°C

Note 2. Installation

- Installation should be in accordance with ANSI/ISA-RP12.06.01 and the National Electric Code (NFPA 70).
- Dust-tight conduit seal must be used when installed in a Class II, III, Group E, F and G environments.
- Note a warning label worded “SUBSTITUTION OF COMPONENTS MAY IMPAIR INTRINSIC SAFETY,” and “INSTALL IN ACCORDANCE WITH DOC. NO. IFM037-A20”.

[Installation Diagram]

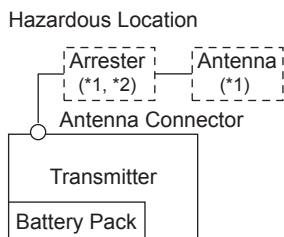
Amplifier housing code 7



[Intrinsically Safe]  
Class I, II, III, Division 1,  
Groups A,B,C,D,E,F,G  
Class I, Zone 0  
in Hazardous (Classified)  
Locations  
AEx ia IIC

[Nonincendive]  
Class I, II, Division 2,  
Groups A,B,C,D,F,G  
Class III, Division 1.  
Class I, Zone 2, Group IIC,  
in Hazardous (Classified)  
Locations

Amplifier housing codes other than 7



\*1: These apparatus are simple apparatus.  
\*2: Arrestor may not be connected.

[Intrinsically Safe]  
Class I, II, III, Division 1,  
Groups A,B,C,D,E,F,G  
Class I, Zone 0  
in Hazardous (Classified)  
Locations  
AEx ia IIC

[Nonincendive]  
Class I, II, Division 2,  
Groups A,B,C,D,F,G  
Class III, Division 1.  
Class I, Zone 2, Group IIC,  
in Hazardous (Classified)  
Locations

F0210.ai

Note 3. Maintenance and Repair

- The instrument modification or parts replacement by other than authorized representative of Yokogawa Electric Corporation is prohibited and will void FM Approvals approval.

Note 4. Battery Pack

USE ONLY BATTERY PACK YOKOGAWA F9915MA OR F9915NS.

Note 5. Special Conditions for safe use

POTENTIAL ELECTROSTATIC CHARGING HAZARD-SECURE DISTANCE OF 100MM FROM ANTENNA.  
DO NOT OPEN WHEN CL II, III, DIV 1,2 ATMOSPHERE IS PRESENT.

2.8.2 CSA Certification

Caution for CSA Intrinsically safe type. (Following contents refer to “DOC No. ICS030”)

Note 1. Model EJX Series differential, gauge, and absolute pressure transmitters with optional code /CS17 are applicable for use in hazardous locations

Certificate: 2325443

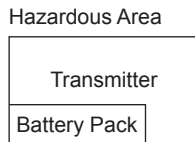
- Applicable standard: CAN/CSA-C22.2 No.0, CAN/CSA-C22.2 No.0.4, C22.2 No.25, CAN/CSA-C22.2 No.94, CAN/CSA-C22.2 No.157, C22.2 No.213, CAN/CSA-C22.2 No.61010-1, CAN/CSA-C22.2 No.60079-0, CAN/CSA-E60079-11, IEC60529
- Ex ia IIC T4
- Intrinsically Safe for Class I, Division 1, Groups A, B, C & D, Class II, Division 1, Groups E, F & G, Class III, Division 1
- Nonincendive for Class I, Division2, Groups A, B, C & D, Class II, Division2, Groups F & G, Class III, Division1
- Enclosure: IP66/IP67 and Type 4X
- Temperature Code: T4
- Ambient Temperature: -50 to 70°C
- Max. Process Temp.: 120°C

Note 2. Installation

- Installation should be in accordance with Canadian Electrical Code Part I and Local Electrical Code.
- Do not alter drawing without authorization from CSA.
- The instrument modification or parts replacement by other than authorized representative of Yokogawa Electric Corporation is prohibited and will void Canadian Standards Intrinsically safe and nonincendive Certification.

[Installation Diagram]

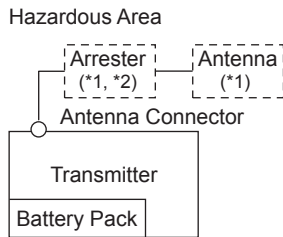
Amplifier housing code 7



[Intrinsically Safe]  
Group IIC, Zone 0  
Class I, II, III, Division 1,  
Groups A,B,C,D,E,F,G

[Nonincendive]  
Class I, II, Division 2,  
Groups A,B,C,D,F,G  
Class III, Division 1

Amplifier housing code 8 and 9



\*1: These apparatus are simple apparatus.  
\*2: Arrestor may not be connected.

[Intrinsically Safe]  
Group IIC, Zone 0  
Class I, II, III, Division 1,  
Groups A,B,C,D,E,F,G

[Nonincendive]  
Class I, II, Division 2,  
Groups A,B,C,D,F,G  
Class III, Division 1

F0205.ai

Note 3. Battery Pack

- Use only YOKOGAWA battery pack F9915MA or F9915NS.

Note 4. Special Conditions for safe use

- Potential electrostatic charging hazard - secure distance of 100mm from antenna.

2.8.3 ATEX Certification

(1) Technical Data

Caution for ATEX Intrinsically safe type.

Note 1. Model EJX Series pressure transmitters with optional code /KS27 for potentially explosive atmospheres:

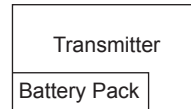
- No. KEMA 10ATEX0164 X
- Applicable Standard: EN 60079-0:2009, EN 60079-11:2012, EN 60079-26:2007
- Type of Protection and Marking code: Ex ia IIC T4 Ga
- Group: II
- Category: 1 G
- Ambient Temperature: -50°C to 70°C
- Process Temperature (Tp.): 120°C max.
- Enclosure: IP66/IP67

Note 2. Installation

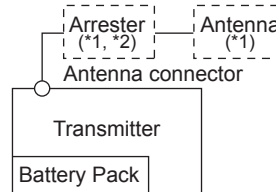
- Installation should be in accordance with local installation requirements. (Refer to the Control Drawing)

[Control Drawing]

Amplifier housing code 7  
Hazardous Area



Amplifier housing code 8 and 9  
Hazardous Area



\*1: These apparatus are simple apparatus.  
\*2: Arrestor may not be connected.

F0206.ai

Note 3. Battery Pack

- Use only YOKOGAWA battery pack F9915MA or F9915NS.

Note 4. Special conditions for Safe Use

- In case the enclosure of the Pressure Transmitter is made of aluminum, if it is mounted in an area where the use of category 1 G apparatus is required, it must be installed such, that, even in the event of rare incidents, ignition sources due to impact and friction sparks are excluded.
- For applications in explosive atmospheres caused by gases, vapors or mists and where category 1 G apparatus is required, electrostatic charges on the non-metallic parts of the Pressure Transmitter shall be avoided.



**WARNING**

Potential electrostatic charging hazard - secure distance of 100mm from antenna.



(2) Operation



**WARNING**

Take care not to generate mechanical sparking when access to the instrument and peripheral devices in a hazardous location.

(3) Maintenance and repair

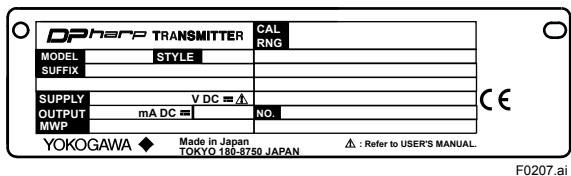


**WARNING**

The instrument modification or parts replacement by other than an authorized Representative of Yokogawa Electric Corporation is prohibited and will void the certification.

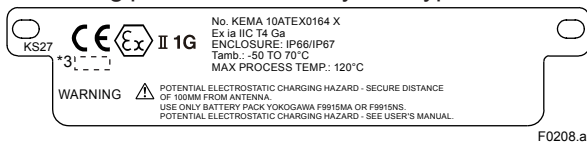
(4) Name Plate

- Name Plate



F0207.ai

- Tag plate for intrinsically safe type



F0208.ai

MODEL: Specified model code.  
 STYLE: Style code.  
 SUFFIX: Specified suffix code.  
 SUPPLY: Supply voltage.  
 OUTPUT: Output signal.  
 MWP: Maximum working pressure.  
 CAL RNG: Specified calibration range.  
 NO.: Serial number and year of production \*1.  
 TOKYO 180-8750 JAPAN:

The manufacturer name and the address \*2.

\*1: The first digit in the final three numbers of the serial number appearing after "NO." on the nameplate indicates the year of production. The following is an example of a serial number for a product that was produced in 2010:

91K819857 032

↑  
The year 2010

\*2: "180-8750" is a zip code which represents the following address.

2-9-32 Nakacho, Musashino-shi, Tokyo Japan

\*3: The identification number of Notified Body.

2.8.4 IECEx Certification

Caution for IECEx Intrinsically safe type.

Note 1. Model EJX Series pressure transmitters with optional code /SS27 for potentially explosive atmospheres:

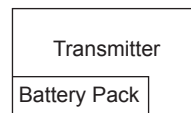
- No. IECEx KEM 10.0074X
- Applicable Standard: IEC 60079-0:2011, IEC 60079-11:2011, IEC 60079-26:2006
- Type of Protection and Marking code: Ex ia IIC T4 Ga
- Ambient Temperature: -50°C to 70°C
- Process Temperature (Tp.): 120°C max.
- Enclosure: IP66/IP67

Note 2. Installation

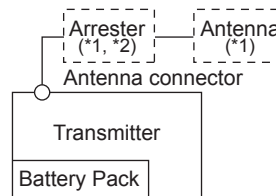
- Installation should be in accordance with local installation requirements. (Refer to the Control Drawing)

[Control Drawing]

Amplifier housing code 7  
Hazardous Area



Amplifier housing code 8 and 9  
Hazardous Area



\*1: These apparatus are simple apparatus.  
 \*2: Arrester may not be connected.

F0209.ai

Note 3. Maintenance and Repair

- The instrument modification or parts replacement by other than authorized representative of Yokogawa Electric Corporation is prohibited and will void IECEx Intrinsically safe Certification.



**WARNING**

The instrument modification or parts replacement by other than an authorized Representative of Yokogawa Electric Corporation is prohibited and will void the certification.



Note 4. Battery Pack

- Use only YOKOGAWA battery pack F9915MA or F9915NS.

Note 5. Special conditions for Safe Use

- In case the enclosure of the Pressure Transmitter is made of aluminum, if it is mounted in an area where the use of apparatus of equipment protection level Ga is required, it must be installed such, that, even in the event of rare incidents, ignition sources due to impact and friction sparks are excluded.
- For applications in explosive atmospheres caused by gases, vapors or mists and mounted in an area where the use of apparatus of equipment protection level Ga is required, electrostatic charges on the non-metallic parts of the Pressure Transmitter shall be avoided.



**WARNING**

- Potential electrostatic charging hazard - secure distance of 100mm from antenna.
- Take care not to generate mechanical sparking when access to the instrument and peripheral devices in a hazardous location.

## 2.9 EMC Conformity Standards

EN61326-1 Class A, Table 2 (For use in industrial locations), EN61326-2-3



**CAUTION**

This instrument is a Class A product, and it is designed for use in the industrial environment. Please use this instrument in the industrial environment only.

## 2.10 Pressure Equipment Directive (PED) $\text{CE}_{0038}$

### (1) General

- EJX Series pressure transmitters are categorized as pressure accessories under the vessel section of directive 97/23/EC, which corresponds to Article 3, Paragraph 3 of PED, denoted as Sound Engineering Practice (SEP).
- EJX110B-□MS, EJX110B-□HS, EJX110B-□VS, EJX510B-□D, and EJX530B-□D can be used above 200 bar and therefore considered as a part of a pressure retaining vessel where category III, Module H applies. These models with option code /PE3 conform to that category.

### (2) Technical Data

- Models without /PE3  
Article 3, Paragraph 3 of PED, denoted as Sound Engineering Practice (SEP).
- Models with /PE3  
Module: H  
Type of Equipment: Pressure Accessory-Vessel  
Type of fluid: Liquid and Gas  
Group of fluid: 1 and 2

Model	Capsule code	PS (bar)*1	V(L)	PS·V (bar·L)	Category*2
EJX110B	F, L	160	0.01	1.6	Article 3, Paragraph 3 (SEP)
	M, H, V	250	0.01	2.5	
EJX110B with code / PE3	M, H, V	250	0.01	2.5	III
EJX310B	L, M, A, B	160	0.01	1.6	Article 3, Paragraph 3 (SEP)
EJX430B	H, A, B	160	0.01	1.6	Article 3, Paragraph 3 (SEP)
EJX510B	A, B, C	100	0.1	10	Article 3, Paragraph 3 (SEP)
	D	700	0.1	70	
EJX510B with code / PE3	D	700	0.1	70	III
EJX530B	A, B, C	100	0.1	10	Article 3, Paragraph 3 (SEP)
	D	700	0.1	70	
EJX530B with code / PE3	D	700	0.1	70	III

\*1: PS is maximum allowable pressure for vessel itself.

\*2: Referred to Table 1 covered by ANNEX II of EC Directive on Pressure Equipment Directive 97/23/EC

**(3) Operation****CAUTION**

- The temperature and pressure of fluid should be maintained at levels that are consistent with normal operating conditions.
- The ambient temperature should be maintained at a level that is consistent with normal operating conditions.
- Please take care to prevent water hammer and the like from inducing excessive pressures in pipes and valves. If phenomena are likely, install a safety valve or take some other appropriate measure to prevent pressure from exceeding PS.
- Take appropriate measures at the device or system level to protect transmitters if they are to be operated near an external heat source.

**2.11 Low Voltage Directive**

Applicable standard:  
EN61010-1, EN61010-2-030

**(1) Pollution Degree 2**

"Pollution degree" describes the degree to which a solid, liquid, or gas which deteriorates dielectric strength or surface resistivity is adhering. " 2 " applies to normal indoor atmosphere. Normally, only non-conductive pollution occurs. Occasionally, however, temporary conductivity caused by condensation must be expected.

**(2) Installation Category I  
(Anticipated transient overvoltage 330 V)**

"Overvoltage category (Installation category)" describes a number which defines a transient overvoltage condition. It implies the regulation for impulse withstand voltage. " I " applies to electrical equipment which is supplied from the circuit when appropriate transient overvoltage control means (interfaces) are provided.

**2.12 Regulatory Compliance  
for Radio and  
Telecommunication**

Please confirm that a installation region fulfills a standards, require additional regulatory information and approvals, contact to Yokogawa Electric Corporation.

**2.12.1 Radio and Telecommunications  
Terminal Equipment Directive  
(R&TTE) CE**

We, Yokogawa Electric Corporation hereby declare that this equipment, model EJX-L series is in compliance with the essential requirements and other relevant provisions of Directive 1999/5/EC. The CE declaration of conformity for R&TTE for this product can be found at <http://www.yokogawa.com/fld/>

**2.12.2 FCC compliance**

This equipment contains transmitter module FCC ID: SGJ-WFC001.

This device complies with Part 15 of FCC Rules. Operation is subject to the following two conditions: (1) this device may not cause interference, and (2) this device must accept any interference, including interference that may cause undesired operation of this device.

Co-located:

This transmitter must not be co-located or operated in conjunction with any other antenna or transmitter.

FCC WARNING:

Changes or modifications not expressly approved by the party responsible for compliance could void the user's authority to operate the equipment.

**NOTE**

This equipment has been tested and found to comply with the limits for a Class A digital device, pursuant to part 15 of the FCC Rules. These limits are designed to provide reasonable protection against harmful interference when the equipment is operated in a commercial environment.

This equipment generates, uses, and can radiate radio frequency energy and, if not installed and used in accordance with the instruction manual, may cause harmful interference to radio communications. Operation of this equipment in a residential area is likely to cause harmful interference in which case the user will be required to correct the interference at his own expense.

**2.12.3 Industry Canada (IC) compliance**

This equipment contains transmitter module IC: 8999A-WIC001.

This Class A digital apparatus complies with Canadian ICES-003.

This device complies with Industry Canada license-exempt RSS standard(s). Operation is subject to the following two conditions: (1) this device may not cause interference, and (2) this device must accept any interference, including interference that may cause undesired, operation of the device.

Under Industry Canada regulations, this radio transmitter may only operate using an antenna of a type and maximum (or lesser) gain approved for the transmitter by Industry Canada. To reduce potential radio interference to other users, the antenna type and its gain should be so chosen that the equivalent isotropically radiated power (e.i.r.p.) is not more than that necessary for successful communication.

This radio transmitter IC Number 8999A-WIC001 has been approved by Industry Canada to operate with the antenna types listed below with the maximum permissible gain and required antenna impedance for each antenna type indicated. Antenna types not included in this list, having a gain greater than the maximum gain indicated for that type, are strictly prohibited for use with this device.

Antenna type:	Gain:
COLLINEAR	9 dBi, 50 $\Omega$
Sleeve	2.14 dBi, 50 $\Omega$

French:

Cet appareil numérique de la classe A est conforme à la norme NMB-003 du Canada.

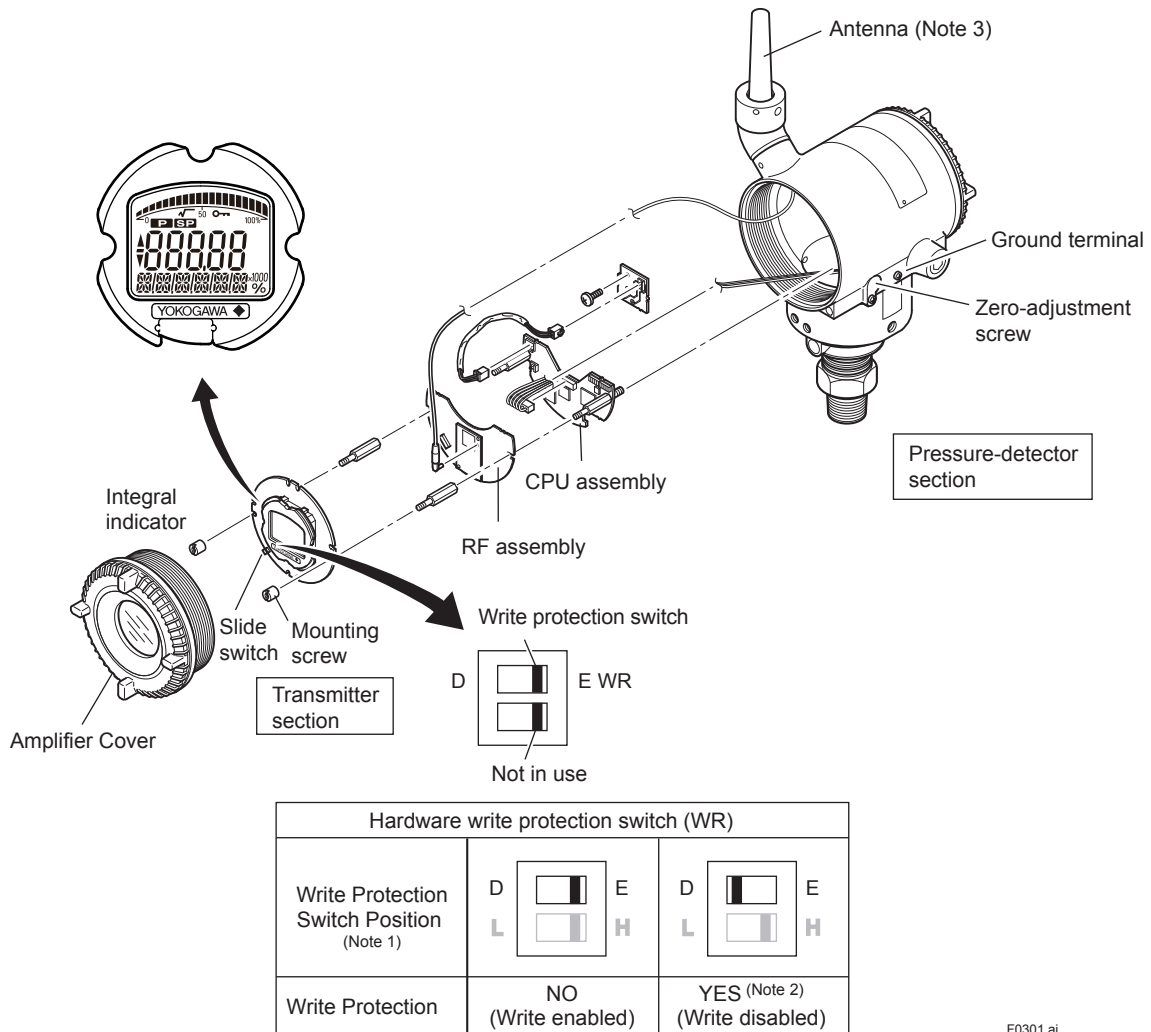
Le présent appareil est conforme aux CNR d'Industrie Canada applicables aux appareils radio exempts de licence. L'exploitation est autorisée aux deux conditions suivantes : (1) l'appareil ne doit pas produire de brouillage, et (2) l'utilisateur de l'appareil doit accepter tout brouillage radioélectrique subi, même si le brouillage est susceptible d'en compromettre le fonctionnement.

Conformément à la réglementation d'Industrie Canada, le présent émetteur radio peut fonctionner avec une antenne d'un type et d'un gain maximal (ou inférieur) approuvé pour l'émetteur par Industrie Canada. Dans le but de réduire les risques de brouillage radioélectrique à l'intention des autres utilisateurs, il faut choisir le type d'antenne et son gain de sorte que la puissance isotrope rayonnée équivalente (p.i.r.e.) ne dépasse pas l'intensité nécessaire à l'établissement d'une communication satisfaisante.

Le présent émetteur radio IC Number 8999A-WIC001 a été approuvé par Industrie Canada pour fonctionner avec les types d'antenne énumérés ci-dessous et ayant un gain admissible maximal et l'impédance requise pour chaque type d'antenne. Les types d'antenne non inclus dans cette liste, ou dont le gain est supérieur au gain maximal indiqué, sont strictement interdits pour l'exploitation de l'émetteur.

Antenne type:	Gain:
COLLINEAR	9 dBi, 50 $\Omega$
Sleeve	2.14 dBi, 50 $\Omega$

# 3. Component Names



F0301.ai

- Note 1: Set the switch as shown in the figure above to set the write protection. The hardware write protection switch is set to E side. Set to H side for the switch of not-in-use.
- Note 2: When the switch is D side (write protection setting), provisioning is acceptable. For details of provisioning, refer to section 7.4 "Connecting to the Field Wireless Network".
- Note 3: The detachable antenna is applied when the amplifier housing code 7 or 8 is specified.

Figure 3.1 Component Names

Table 3.1 Display Symbol

Display Symbol	Meaning of Display Symbol
▲	The output signal being zero-adjusted is increasing.
▼	The output signal being zero-adjusted is decreasing.
⏏	Write protect function is enabled.

# 4. Installation

## 4.1 Precautions

Before installing the transmitter, read the cautionary notes in section 2.4, "Selecting the Installation Location." For additional information on the ambient conditions allowed at the installation location, refer to section 11.1 "Standard Specifications."



### NOTE

To connect this transmitter to the Field Wireless Network, information for connecting to the field wireless devices needs to be set beforehand. Refer to 7.4 "Connecting to the Field Wireless Network."



### IMPORTANT

- When welding piping during construction, take care not to allow welding currents to flow through the transmitter.
- Do not step on this instrument after installation.
- For the EJX530B whose capsule code is A, B or C, the pipe of the atmospheric opening is located on the pressure detecting section. The opening must not face upward. See subsection 5.1.1.
- D capsule of EJX530B is of sealed gauge reference and the change in atmospheric pressure may affect the measurement.

## 4.2 Mounting

- The impulse piping connection port of the transmitter is covered with a plastic cap to protect against dust. This cap must be removed before connecting the piping. (Be careful not to damage the threads when removing these caps. Do not insert a screw driver or other tool between the cap and the port threads to remove the cap.)
- The transmitter can be mounted on a nominal 50 mm (2-inch) pipe using the mounting bracket supplied, as shown in Figure 4.1.
- The user should prepare the mating gasket for the transmitters with Process connection code 8 and 9. See Figure 4.2.

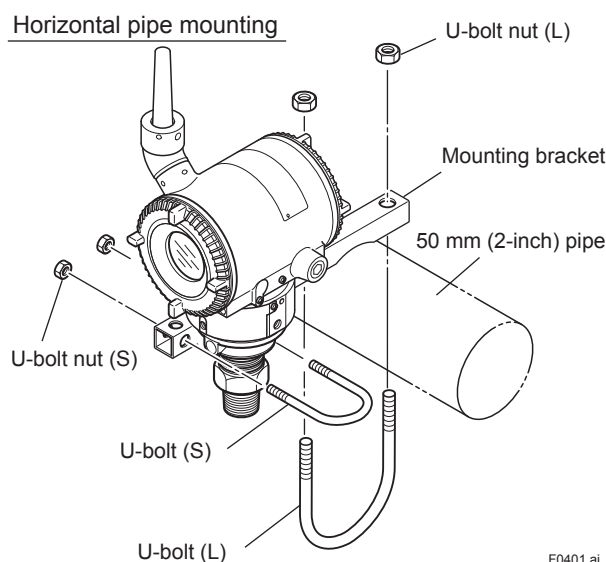
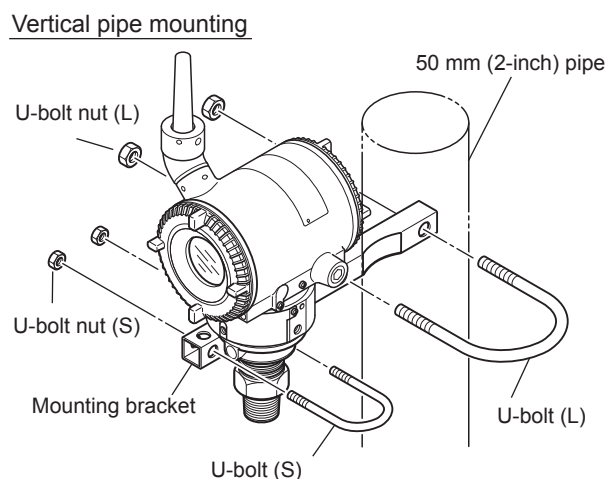


Figure 4.1 Transmitter Mounting

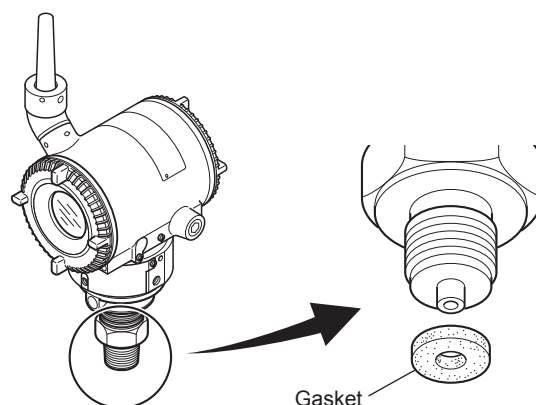


Figure 4.2 Gasketing

F0401.ai

F0402.ai



**IMPORTANT**

Tighten the hexagonal nut part of the capsule assembly. See Figure 4.3.

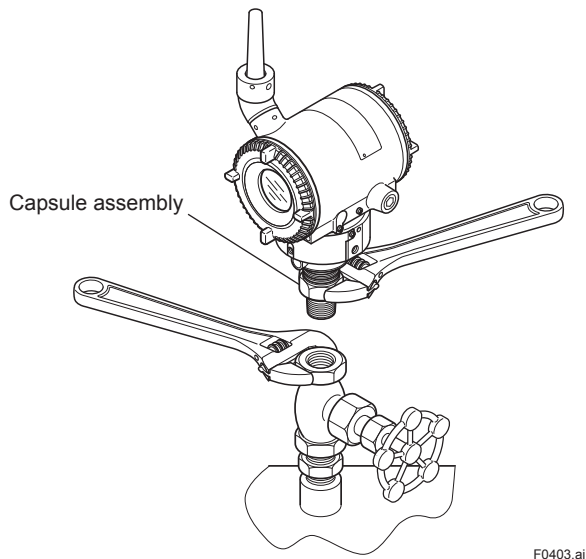


Figure 4.3 Tightening Transmitter



**IMPORTANT**

Do not rotate the transmitter section more than the above limit.

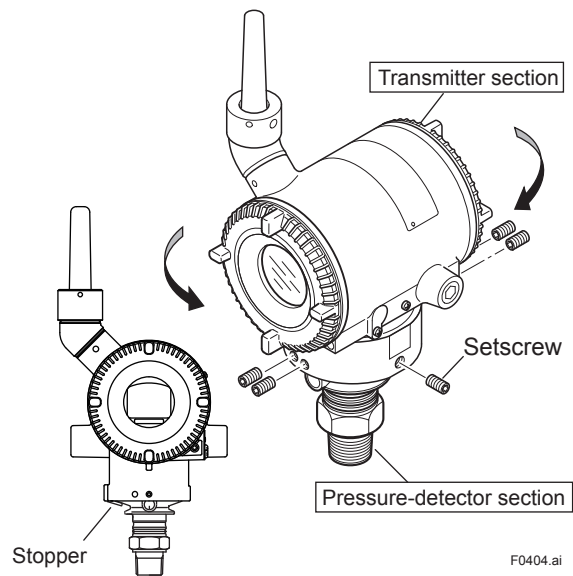


Figure 4.4 Rotating Transmitter Section

### 4.3 Rotating Transmitter Section



**WARNING**

Intrinsic safe type transmitters must be, as a rule, do not rotate transmitter section if it is powered. In case you need to rotate when the transmitter is powered, using gas detector and confirm no existence of explosive gas before rotating.

The transmitter section can be rotated approximately 360° (180° to either direction or 360° to one direction from the original position at shipment, depending on the configuration of the instrument.) It can be fixed at any angle within above range.

- 1) Remove the five setscrews that fasten the transmitter section and capsule assembly, using the Allen wrench.
- 2) Rotate the transmitter section slowly and stop it at designated position. For the EJX530B whose capsule code is A, B or C, the pipe of the atmospheric opening may interfere with the stopper and disturb further rotation. In that case, screw off the pipe first, rotate the housing, and then screw in the pipe by hand again.
- 3) Tighten the five setscrews to a torque of 1.5 N·m.

### 4.4 Changing the Direction of Integral Indicator



**WARNING**

Intrinsic safe type transmitters must be, as a rule, remove a battery pack in non-hazardous area before open/close the Amplifier Cover or disassembling and reassembling the Integral Indicator.

An integral indicator can be installed in the following three directions. Follow the instructions in section 9.4.1 for removing and attaching the integral indicator.



## 4.5 Changing the direction of the antenna

Adjust the direction of the antenna to be in the upright position. Figure 4.5 show factory setup antenna position. Figure 4.5 show factory setup antenna position. If the transmitter is installed to horizontal impulse piping, follow the procedure below and change the antenna position.

- 1) Loosen the two mounting screws at the bottom of the antenna by using a 2.5mm Allen wrench (see Figure 4.5). The screws might come off and be lost if loosened too much; loosen the screws by about three rotations.
- 2) Press forward and down 90 degrees by rotating the axis at the bottom of the antenna.
- 3) Tighten the two screws to a torque of 1.5 N·m by using a torque wrench. When doing this, be careful not leave a gap between the antenna and housing.

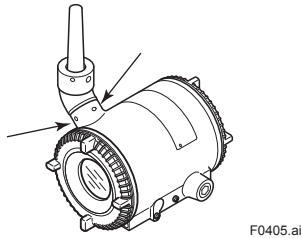


Figure 4.5 Mounting Screw Position

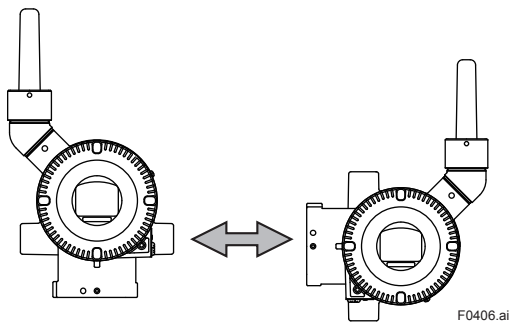


Figure 4.6 Adjusting Antenna Position



# 5. Installing Impulse Piping

## 5.1 Impulse Piping Installation Precautions

The impulse piping that connects the process outputs to the transmitter must convey the process pressure accurately. If, for example, gas collects in a liquid-filled impulse line, or the drain for a gas-filled impulse line becomes plugged, it will not convey the pressure accurately. Since this will cause errors in the measurement output, select the proper piping method for the process fluid (gas, liquid, or steam). Pay careful attention to the following points when routing the impulse piping and connecting the impulse piping to a transmitter.

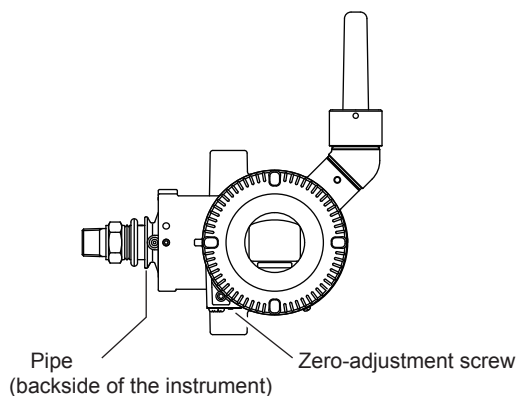
### 5.1.1 Connecting Impulse Piping to a Transmitter



#### IMPORTANT

The transmitter can be installed in horizontal impulse piping configuration, tilting the transmitter's position up to 90°. When tilting, observe that the pipe (for Model EJX530B with measurement span code A, B, and C) is positioned horizontal downwards, or any place between them, as shown in Figure 5.1 The zero-adjustment screw must be positioned downwards for all the models.

The pipe (open to atmosphere) is positioned horizontal.



If the zero-adjustment screw is positioned other than downwards after installation, rotate the housing until it is positioned downwards.

F0501.ai

Figure 5.1 Horizontal Impulse Piping Connection

### 5.1.2 Routing the Impulse Piping

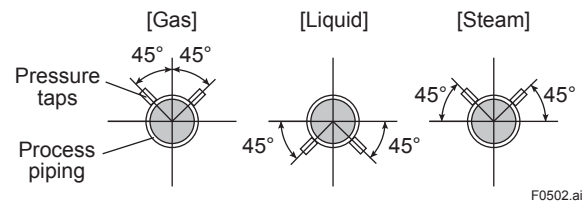
#### (1) Process Pressure Tap Angles

If condensate, gas, sediment or other extraneous material in the process piping gets into the impulse piping, pressure measurement errors may result. To prevent such problems, the process pressure taps must be angled as shown in figure 5.2 according to the kind of fluid being measured.



#### NOTE

- If the process fluid is a gas, the taps must be vertical or within 45° either side of vertical.
- If the process fluid is a liquid, the taps must be horizontal or below horizontal, but not more than 45° below horizontal.
- If the process fluid is steam or other condensing vapor, the taps must be horizontal or above horizontal, but not more than 45° above horizontal.



F0502.ai

Figure 5.2 Process Pressure Tap Angle (For Horizontal Piping)

#### (2) Position of Process Pressure Taps and Transmitter

If condensate (or gas) accumulates in the impulse piping, it should be removed periodically by opening the drain (or vent) plugs. However, this will generate a transient disturbance in the pressure measurement, and therefore it is necessary to position the taps and route the impulse piping so that any extraneous liquid or gas generated in the leadlines returns naturally to the process piping.

- If the process fluid is a gas, then as a rule the transmitter must be located higher than the process pressure taps.
- If the process fluid is a liquid or steam, then as a rule the transmitter must be located lower than the process pressure taps.

**(3) Impulse Piping Slope**

The impulse piping must be routed with only an upward or downward slope. Even for horizontal routing, the impulse piping should have a slope of at least 1/10 to prevent condensate (or gases) from accumulating in the pipes.

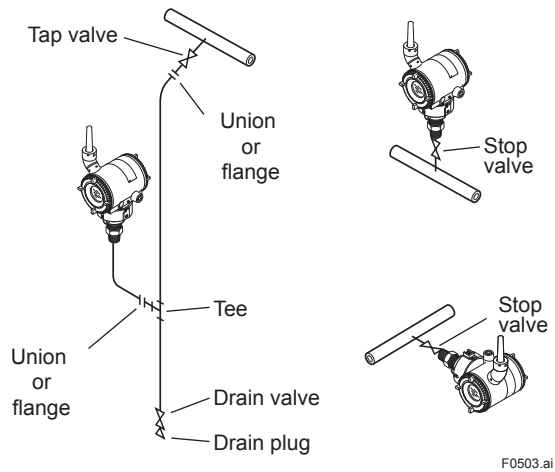
**(4) Preventing Freezing**

If there is any risk that the process fluid in the impulse piping or transmitter could freeze, use a steam jacket or heater to maintain the temperature of the fluid.



**NOTE**

After completing the connections, close the valves on the process pressure taps (main valves), the valves at the transmitter (stop valves), and the impulse piping drain valves, so that condensate, sediment, dust and other extraneous material cannot enter the impulse piping.



F0503.ai

**Figure 5.3 Impulse Piping Connection Examples**

**5.2 Impulse Piping Connection Examples**

Figure 5.3 shows examples of typical impulse piping connections. Before connecting the transmitter to the process, study the transmitter installation location, the process piping layout, and the characteristics of the process fluid (corrosiveness, toxicity, flammability, etc.), in order to make appropriate changes and additions to the connection configurations.

Note the following points when referring to these piping examples.

- If the impulse line is long, bracing or supports should be provided to prevent vibration.
- The impulse piping material used must be compatible with the process pressure, temperature, and other conditions.
- A variety of process pressure tap valves (main valves) are available according to the type of connection (flanged, screwed, welded), construction (globe, gate, or ball valve), temperature and pressure. Select the type of valve most appropriate for the application.

# 6. Wiring

## 6.1 Mounting Antenna and Wiring

For Amplifier housing code 8 and 9, an antenna is not attached to the transmitter. The following provides the instructions for mounting the antenna and installing the remote antenna and wiring using antenna extension cable.



### IMPORTANT

The antenna connector is covered with a cap at the time of delivery. Keep the cap attached until the installation of the antenna or antenna cables to protect the inside connection part. The unscrewed cap should be stored in order to replace it immediately after the antenna or antenna cables are removed.



### CAUTION

To maintain the ultimate conditions of radio-frequency signal, protect the connectors of antenna, extension antenna cable, and arrester from the corrosive atmosphere by the following treatment.

1. Clean the connection to be protected.
2. Wind the butyl rubber self-bonding tape around the connection. See the manual of the tape about the winding.
3. To protect the butyl rubber self-bonding tape from the environment such as ultraviolet rays and so on, wind vinyl tape (or a vinyl type self-bonding tape) on it.

### 6.1.1 Mounting the antenna

Screw the provided antenna into the antenna connector of the transmitter. The antenna may be sold as available accessories and supplied separately.

1. Unscrew the antenna connector cap on the antenna connector.
2. Screw the provided antenna into the antenna connector. Tighten the antenna connector with a torque of 2 to 3 N·m.

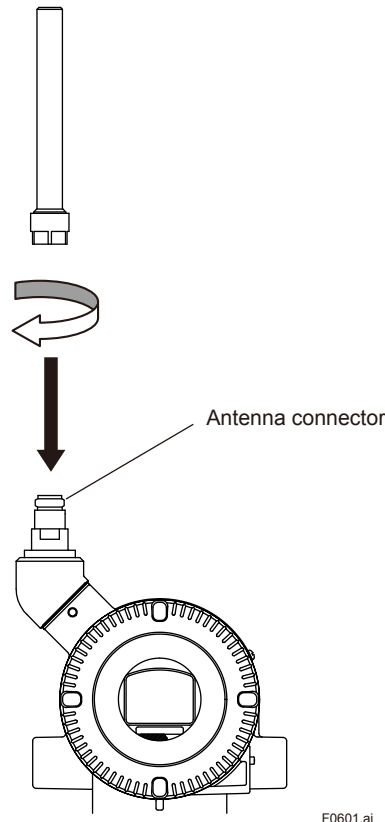


Figure 6.1 Mounting the antenna



### CAUTION

When installing the antenna, screw the antenna by tightening the lower nut part. Screwing the antenna by holding the antenna body may cause failure such as cable disconnection. The same manner should be taken when unscrewing the antenna.

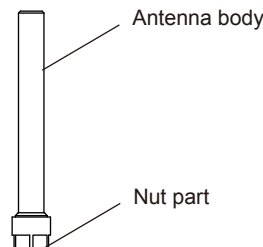


Figure 6.2 Antenna

## 6.1.2 Mounting External Antenna and Wiring Antenna Extension Cable

### 6.1.2.1 Mounting of External Antenna

Mount the external antenna at the proper location according to the wireless environment described in 2.4 Selecting the Installation Location. The mounting to the pipe such as 50 mm (2-inch) pipe needs to secure the enough strength to endure a strong wind, vibration and so on. The antenna must be mounted vertically.

#### ■ Fixing of External Antenna

Fix an external antenna appropriately using the bracket provided as the external antenna option to 50 mm (2-inch) pipe.

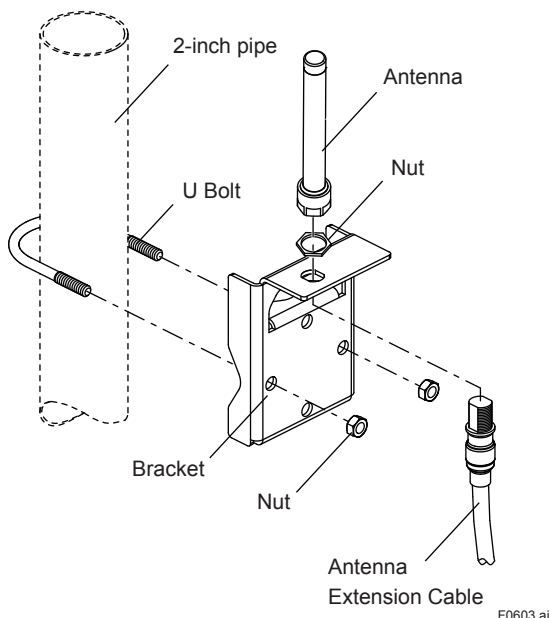
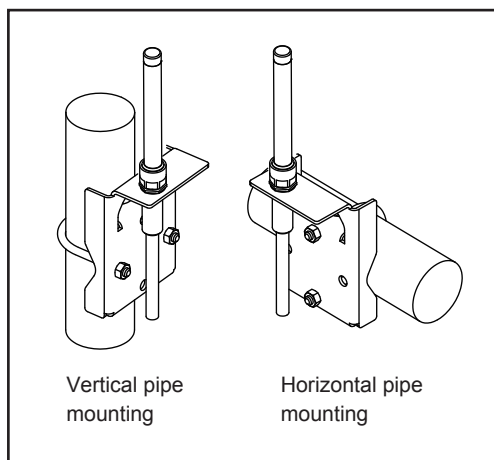


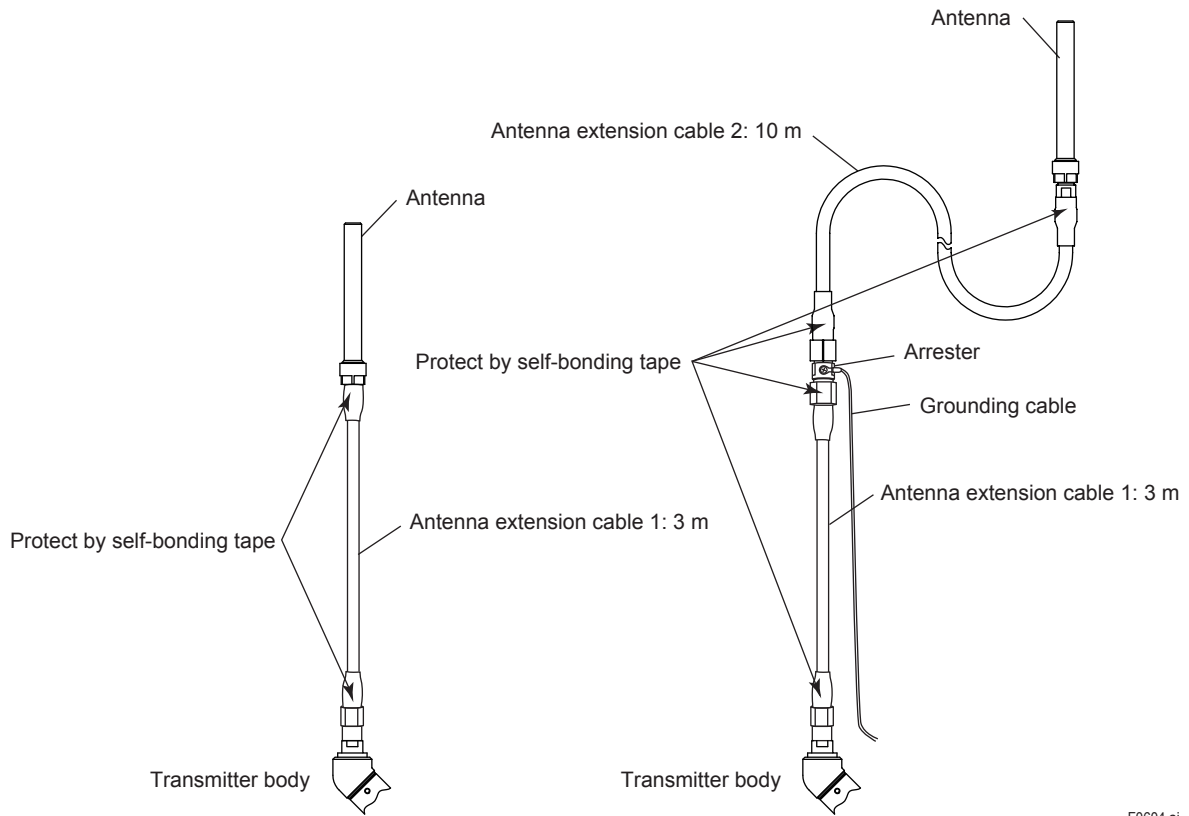
Figure 6.3 Fixing the remote antenna

### ■ Mounting Procedure of External Antenna

1. Fix the bracket by U-bolt and nut to 50 mm (2-inch) pipe.
2. Fix the antenna extension cable to the bracket 1 using the provided nut with a torque of 6 to 7 N·m as shown in the Figure 6.3 above. Use the nut which is attached to the antenna extension cable.
3. Screw the antenna into the antenna connector of the antenna extension cable on the bracket 1.  
Tighten the antenna connector with a torque of 2 to 3 N·m.
4. Protect the connection as necessary. For details of the protection, see “6.1 Mounting Antenna and Wiring.”

### 6.1.2.2 Wiring of Antenna Extension Cable

1. Use the provided antenna extension cable to connect the antenna connector with the external antenna. Tighten the connector of the antenna extension cable with a torque of 2 to 3 N·m. The minimum bending radius while checking the wiring position should be more than 200 mm.
2. When using two extension cables, the provided arrester should be inserted between these cables.
3. Before the wiring work, confirm the polarities (male/female) of the connectors of antenna, extension antenna cable, and arrester. Tighten the connector of the antenna extension cable with a torque of 2 to 3 N·m.
4. Protect the connectors of antenna, extension antenna cable, and arrester as necessary. See “6.1 Mounting Antenna and Wiring.”
5. Fix the extension antenna cable to the appropriate structure to protect the cable from the vibration, wind, and so on. The minimum bending radius for fixing in the state maintained for a long period should be more than 80 mm.



F0604.ai

Figure 6.4 Wiring the antenna extension cable



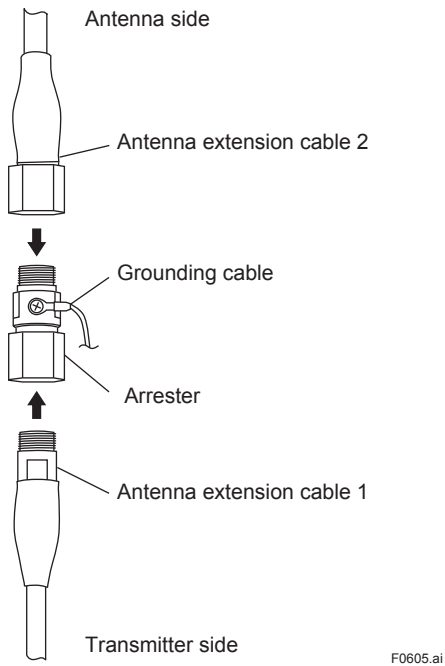
**CAUTION**

Use the dedicated antenna extension cable provided by Yokogawa as accessories for the transmitters.

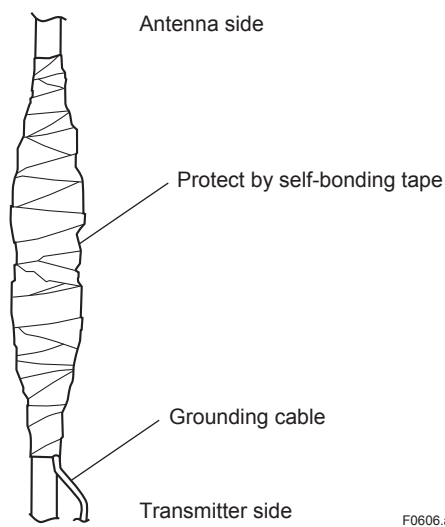
### 6.1.2.3 Mounting of Arrester and Wiring

Mount an arrester between the extension cables and connect the grounding cable to the grounding terminal of the arrester as required.

Connect the grounding cable to the grounding terminal on the transmitter body. Class C grounding with the grounding resistance of 10 Ω or less is necessary. Do not share the ground with other devices.



**Figure 6.5** Connection of the arrester and antenna extension cable



**Figure 6.6** Arrester protection by self-bonding tape

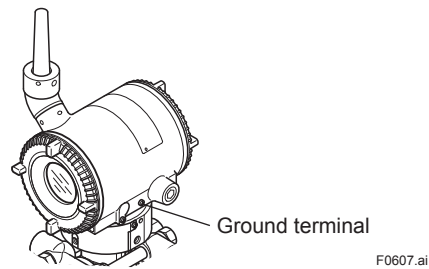
## 6.2 Grounding

When using the antenna extension cable with an arrester, Class C grounding with the grounding resistance of 10 Ω is required. Always ground the transmitter case in accordance with national and local electrical codes. The most effective transmitter case grounding method is a direct connection to earth ground with minimal impedance.



### CAUTION

Grounding is recommended for safe operation.



**Figure 6.7** Ground Terminal

# 7. Operation

## 7.1 Preparation for Starting Operation

This section describes the operation procedure for the EJX530B as shown in figure 7.1.

 **NOTE**

It is required to set security and network information to enable the transmitter to be connected to the Field Wireless Network. For more details, refer to section 7.4 “Connecting to the Field Wireless Network”.

 **NOTE**

Check that the process pressure tap valves, drain valves, and stop valves are closed.

- (a) Follow the procedures below to introduce process pressure into the impulse piping and transmitter.
  - 1) Open the tap valve (main valve) to fill the impulse piping with process fluid.
  - 2) Gradually open the stop valve to introduce process fluid into the transmitter pressure-detector section.
  - 3) Confirm that there is no pressure leak in the impulse piping, transmitter, or other components.
- (b) Insert batteries into the battery case, and install to the transmitter. To insert batteries into the battery case, be careful to polarity of batteries and battery case. For details of Installation of battery, refer to section 9.4.6 and 9.4.7. Battery case is installed in the transmitter when shipped from the factory, however, batteries are sold separately and not included.
- (c) Using the device configuration tool, confirm that the transmitter is operating properly. Check parameter values or change the setpoints as necessary. Integral Indicator’s indication can be used to confirm that the transmitter is operating properly. For details on how to confirm refer to subsection 8.4 “Self-Diagnostics”. ISA100 devices display self-diagnostic information in an easy-to-understand manner

using four categories (Check function, Maintenance required, Failure, and Off specification) according to NAMUR NE107\*

\* NAMUR NE107 “Self-Monitoring and Diagnosis of Field Devices”

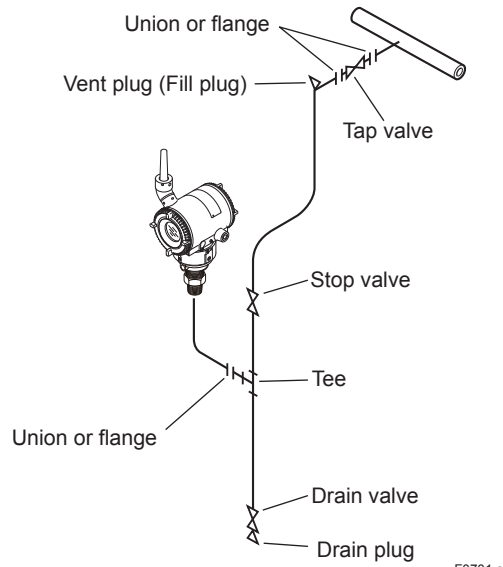


Figure 7.1 Liquid Pressure Measurement (Gauge Pressure Transmitters)

■ **Confirm that transmitter is operating properly by Integral Indicator**

If the transmitter is faulty, an error code is displayed.



Self-diagnostic error on the integral indicator (Faulty transmitter)

Figure 7.2 Integral Indicator with Error Code

 **NOTE**

If any of the above errors are indicated on the display of the integral indicator or the device configuration tool, refer to subsection 9.5.3 for the corrective action.



## ■ Verify and Change Transmitter Parameter Setting and Values

The parameters related to the following items are minimum required to be set for operation, and set at factory as specified in order. Confirm or change the parameters if needed.

- Measurement range (measurement lower/upper limit, unit)

## 7.2 Zero Point Adjustment

After completing preparations for operating the transmitter, adjust the zero point. There are two zero point adjusting ways.



### IMPORTANT

Do not turn off the power to the transmitter immediately after performing a zero point adjustment. Powering off within 30 seconds of performing this procedure will return the zero point to its previous setting.

#### (1) When you can obtain the Low Range Value from the actual measured value of 0% (0kPa, atmospheric pressure);

#### ■ Using the transmitter's zero-adjustment screw

Before adjusting zero point, make sure followings.

- That the External zero trim parameter (External Zero Trim) is "Trim on". For details, refer to section 8 "Setting Parameters".
- Use a slotted screwdriver to turn the zero-adjustment screw. Turn the screw clockwise to increase the output or counterclockwise to decrease the output.

The zero point adjustment can be made with a resolution of 0.01% of the setting range. The degree of zero adjustments varies with the screw turning speed turn the screw slowly to make a fine adjustment, quickly to make a rough adjustment.

#### ■ Using the Device Configuration Tool

Refer to subsection 8.3.10 "Zero Point Adjustment and Span Adjustment".

#### (2) When you cannot obtain the Low Range Value from the actual measured value of 0%;

Adjust the transmitter output value matches to the actual measured value obtained by precise pressure measurement equipment.

[Example]

The measuring range of 50 to 250 kPa : the actual measured value of 130kPa.

$$\text{Actual measured value} = \frac{130-50}{250-50} \times 100 = 40.0\%$$

#### ■ Using the transmitter's zero-adjustment screw

Turn the zero adjustment screw to match the output signal to the actual measured value.

#### ■ Using the Device Configuration Tool

Refer to subsection 8.3.10 "Zero Point Adjustment and Span Adjustment".

## 7.3 Starting Operation

After the zero point adjustment is completed, the transmitter is already the operating status. Follow the procedure below.

- 1) Confirm the operating status.
- 2) After confirming the operating status, perform the following.



### IMPORTANT

- Close the terminal box cover and the amplifier cover. Screw each cover in tightly until it will not turn further.
- Tighten the zero-adjustment cover mounting screw to secure the cover.

## 7.4 Connecting to the Field Wireless Network

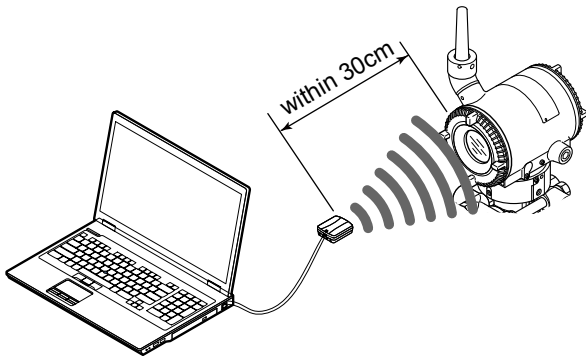
### ■ Preparation work prior to connecting to a Field Wireless Network

This transmitter does not need to be connected with a physical wire. Instead of physical wiring, it is necessary to set the field wireless devices to communicate with before installing the transmitter. This procedure is called a provisioning. This transmitter supports provisioning via infrared communication using a provisioning device and can be securely connected to a network. If the provisioning information is not set, the transmitter cannot be connected to the field wireless network.

#### Provisioning:

Provisioning is work to set the security and network information to enable the transmitter to be connected to the field wireless network. This transmitter supports a provisioning method using infrared communication.

For details on provisioning using a provisioning device, and procedure for connecting the transmitter to the Field Wireless Network, refer to the User's Manual, FieldMate Versatile Device Management Wizard (IM 01R01A01-01E), YFGW710 Field Wireless Integrated Gateway (IM 01W01F01-01EN) and YFGW410 Field Wireless Management Station (IM 01W02D01-01EN).



F0703.ai

Figure 7.3 Provisioning Example

### ■ Provisioning work

This subsection describes provisioning work using FieldMate as the provisioning device.

Provisioning work performs provisioning for each field wireless device using FieldMate and an infrared adapter. If Yokogawa-recommended infrared device is used for provisioning, distance between the transmitter glass window and the infrared device should be within 30cm. For details of Yokogawa-recommended infrared device, refer to subsection 9.2 "Calibration Instruments Selection". Perform the following provisioning tasks.

- Setting provisioning information
- Creating a provisioning information file

#### 1) Setting provisioning information

Set the device tag and network ID using a FieldMate provisioning function. The device tag, network ID, and join key are set in the Field Wireless Device. It is not necessary to input a join key because FieldMate automatically generates it.

##### Setting device tag

The device tag is used for the user to recognize the Field Wireless Device.

##### Setting network ID

This is the network ID for the field wireless network to which the field wireless device is connected. Set a value from 2 to 65535.

The field wireless device is connected to the field wireless network corresponding to the network ID set by provisioning work.

#### 2) Creating a provisioning information file

The following provisioned information is stored in the provisioning information file.

- Network ID
- Device tag
- EUI64
- Join key
- Provisioner (name of the user who performed provisioning work by FieldMate)
- Date (Time and date when provisioning was performed by FieldMate)

This provisioning information file is required to load from the Field Wireless Configurator to the Field Wireless Integrated Gateway. Store the file carefully.

■ **Connecting to a field wireless network**

The action after installing the battery pack varies depending on the silence setting.

Mounting the battery pack automatically starts a search for the field wireless network. When the Field Wireless Integrated Gateway is found, the instrument enters the join status.

When the Field Wireless Integrated Gateway is not found and a specified time has elapsed, a cycle of a one-hour pause and six-minutes search is repeated until the instrument can join the field wireless network.

For details on the procedure to switch to silence mode, refer to subsection 8.3.13 “Switching to Silence Mode.”

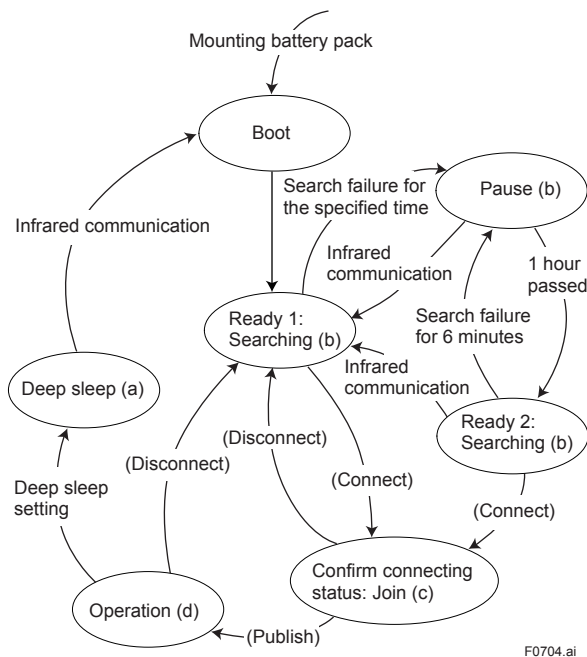
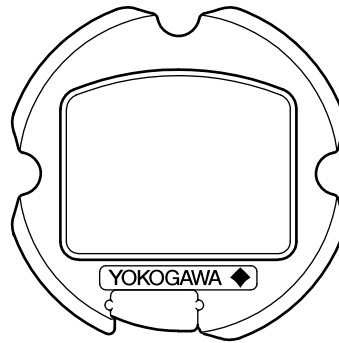


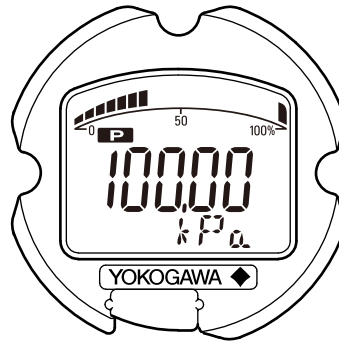
Figure 7.4 Wireless Connection Process

(a) Deep sleep



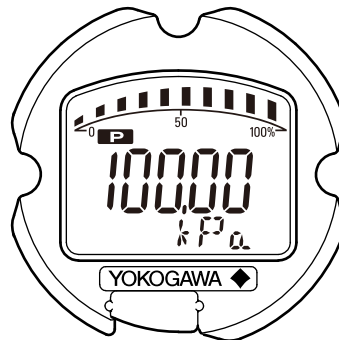
F0705.ai

(b) Ready and pause



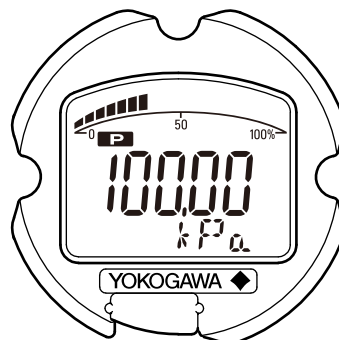
F0706.ai

(c) Confirm connecting status



F0707.ai

(d) Join



F0708.ai

**NOTE**

---

If the transmitter searches the Field Wireless Network for long time at low ambient temperature condition, sometimes error “AL.70 LOWBAT” is displayed on the Integral Indicator. Even though using new batteries, it can occur. It occurs because of battery characteristics. After joining to the Field Wireless Network, this error will be cleared within one hour if battery has no failure.

---

## 7.5 Shutting Down the Transmitter

Shut down the transmitter as follows.

- 1) Remove the battery pack or set the transmitter to deep sleep mode by the device configuration tool.
- 2) Close the stop valve.
- 3) Close the tap valves.

**NOTE**

- 
- Whenever shutting down the transmitter for a long period, remove the transmitter from the process line.
  - Refer to subsection 9.4.5 “Replacing the Battery Pack” for the battery pack removing.
  - When storing the instrument with a battery pack inserted, it is recommended to put the instrument into deep sleep mode to conserve battery power. For details on how to switch to deep sleep mode, refer to subsection 8.3.12 “Switching to the Deep Sleep Mode.”
-

# 8. Setting Parameters

This transmitter can remotely handle range changes, Tag No. setup, monitoring of self-diagnostic results, and Zero Point Adjustment, etc. according to communication with the field wireless configuration tool or the device configuration tool.

## 8.1 Environment for parameter setting

After installing the battery pack, perform provisioning and have the transmitter join the field wireless network.

This transmitter supports the OOB(out-of-band) method using the infrared communication as a provisioning method. Refer to Subsection 7.4 “Connecting to the Field Wireless Network” for details of the provisioning.

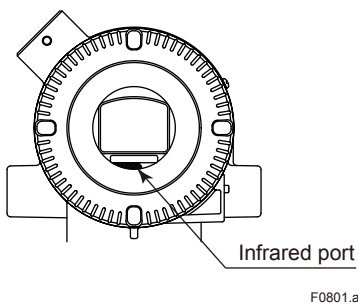


Figure 8.1 Infrared port of the transmitter

## 8.2 Preparing Software

### 8.2.1 Softwares for the Field Wireless Configuration Tool and the Device Configuration Tool

Before using the device configuration tool, confirm that CF/DD and DeviceDTM for your transmitter (wireless EJX) are installed in the device configuration tool.

CF/DD and DeviceDTM are provided by DVD-ROM attached to YFGW710 Field Wireless Integrated Gateway.

Refer to YFGW710 Field Wireless Integrated Gateway (IM 01W01F01-01EN) for details.

### CF (Capabilities File)/DD (Device Description)

A CF file contains information, such as the vendor of the field device, its model and revision, available types of process data (flow rate, temperature, pressure, etc.), and number of data items. A DD file contains the information on parameters, such as data structures and attributes.

### DeviceDTM

DeviceDTM (Device Type Manager) is driver software for field devices provided based on the FDT (Field Device Tool) technology.

The field wireless configuration tool or the device configuration tool allows confirming the device information.

Refer to subsection 9.2 “calibration Instruments Section” for the field wireless configuration tool or the device configuration tool of our recommendation.

### 8.2.2 Software Download

Software download function permits to update wireless field device software via ISA100.11a wireless communication. For details, refer to YFGW710 Field Wireless Integrated Gateway (IM 01W01F01-01EN) or YFGW410 Field Wireless Management Station (IM 01W02D01-01EN).

## 8.3 Setting Parameters

### 8.3.1 Parameter Usage and Selection

Before setting a parameter, please see the following table for a summary of how and when each parameter is used.



### IMPORTANT

---

After setting and sending data with the field wireless configuration tool or the device configuration tool, wait 30 seconds before turning off the transmitter. If it is turned off too soon, the settings will not be stored in the transmitter.

---

**Table 8.1 Parameter Usage and Selection**

Item	Description
Tag No	Sets the tag No. as Device Tag (Software Tag). Sixteen characters (alphanumeric characters, including - and •) can be set.
Output	The process variable and the diagnostic result can be output. Either or all of differential pressure (AI1:Process Value), static pressure (AI2:Process Value), temperature(AI3:Process Value) of capsule or amplifier and self-diagnostic information (UAPMO:Diagnostic Status) can be set to the output
Range	Adjust the range corresponding for 0% to 100%. The unit of the range, input value at 0% (LRV) and input value at 100% (URV) is set. Note: LRV and URV can be set within the range of -32000 to 32000.
Damping time constant	Damping time constant is used to reduce the large fluctuation of pressure signal and given by each Process Value Filter Time parameter for differential Pressure/pressure (AI1) and Static pressure (AI2).
Output signal low cut mode	Used mainly to stabilize output near 0 if output signal is the square root mode. Two modes are available: forcing output to 0% for input below a specific value, or changing to proportional output for input below a specific value.
Integral indicator range of scale and unit	Sets one of pressure value, or temperature value for the integral indicator scale. Note: LRV and URV can be set within the range of -32000 to 32000.
Unit for displayed temperature	Sets a temperature unit to be displayed.
Range with actual input applied	Range corresponding for 0% to 100% signal is set with actual input applied. The output setting can be done just 100% to user's reference pressure output. However, when shipping it, the calibration is done in high accuracy as for DPharp. Please do the span setting by a usual range setting.
Zero Point Adjustment and Span Adjustment	Handle Zero Point Adjustment and Span Adjustment. There are two methods of Zero Point Adjustment, using external zero-adjustment screw and using device configuration tool.
Reset adjustment	The amount of the adjustment set by user can be cleared.
Software write protect	Prohibit writing the setting data.
Operational mode	Set the operational mode of the sensor and integral indicator, etc.

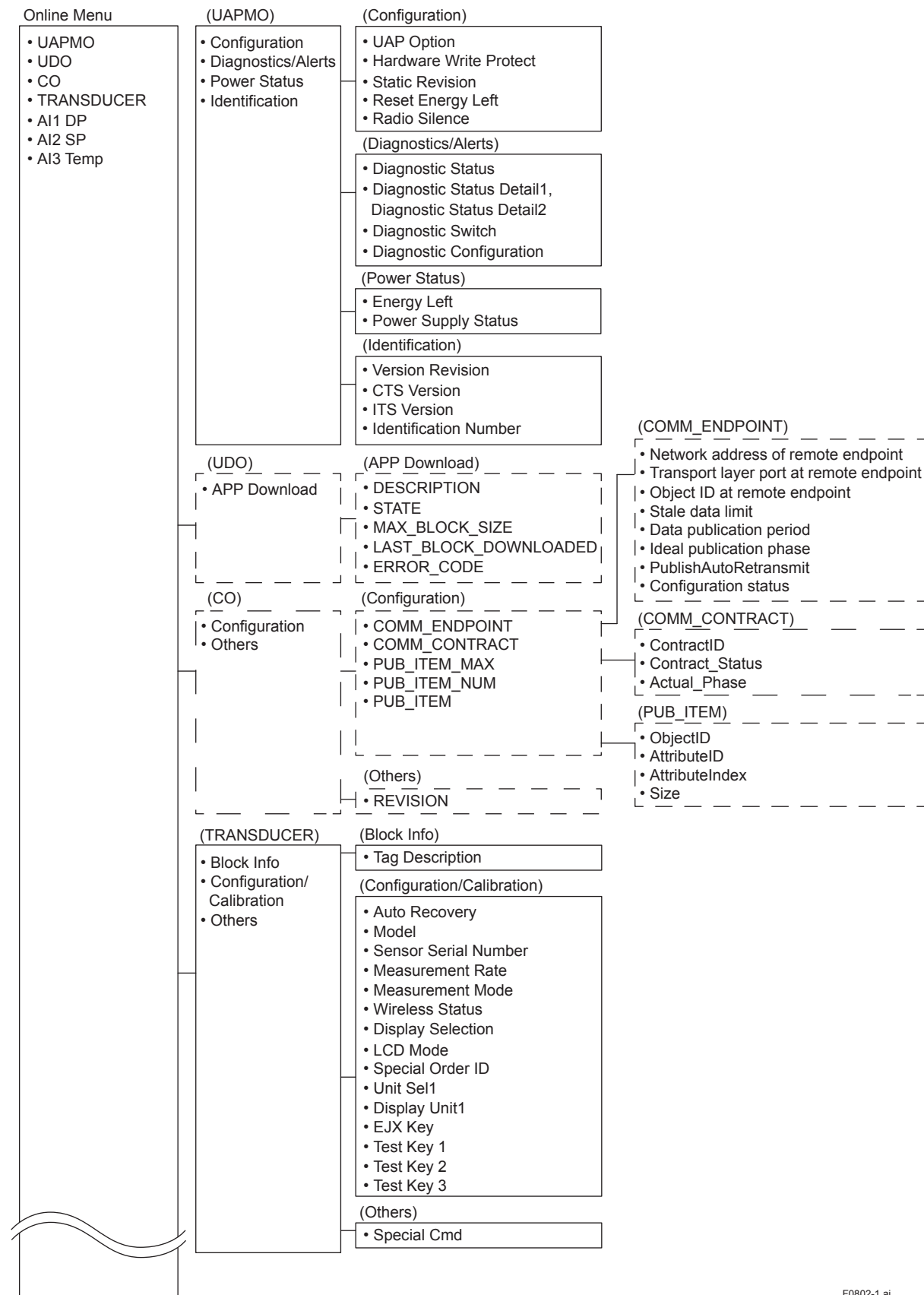
Note: Some of the parameter settings are in a dialogue form called method, the on-line instructions you can configure the parameters easily.

### 8.3.2 Function Block and Menu Tree

#### (1) Function Block

The function of this transmitter is shown below. A specific function might not be able to be used according to the field wireless configuration tool used. When the field wireless configuration tool of our recommendation is used, the software attached to the Field Wireless Integrated Gateway is necessary for setting the dotted line part. Refer to Subsection 9.2 “Calibration Instruments Selection” for the field wireless configuration tool of our recommendation. The setting of differential pressure(AI2 block) is invalid in this instrument. The output value of AI2 object and the output status are “0.0”(zero), “Uncertain” respectively.

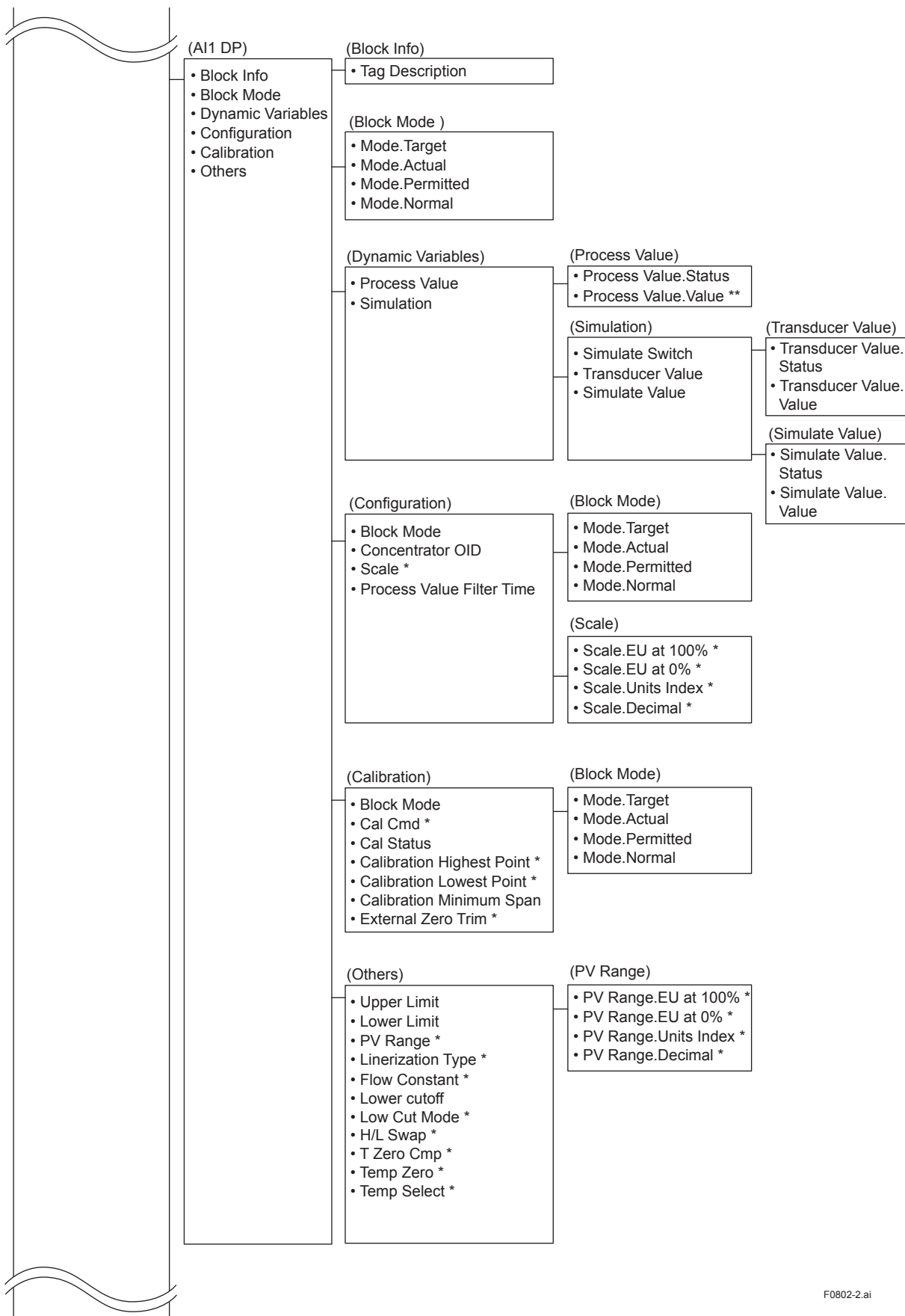
(a) Integral antenna type (Amplifier housing code: 7)



F0802-1.ai



Online Menu (continued)

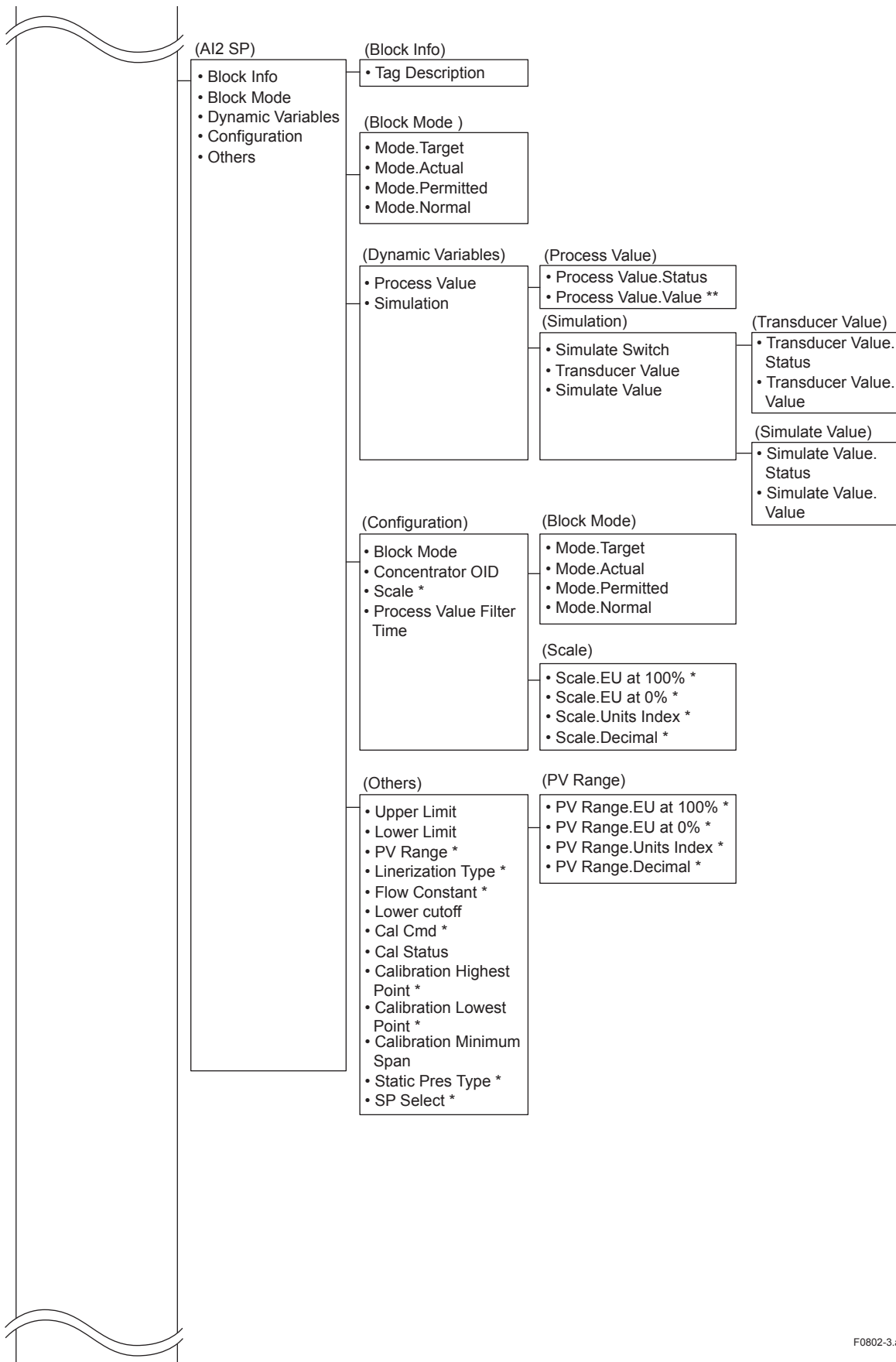


F0802-2.ai

\*: When the data of these parameters is rewritten, it is necessary to set the operational mode of the block to O/S (Out of Service).

\*\* : When the data of these parameters is rewritten, it is necessary to set the operational mode of the block to Manual.

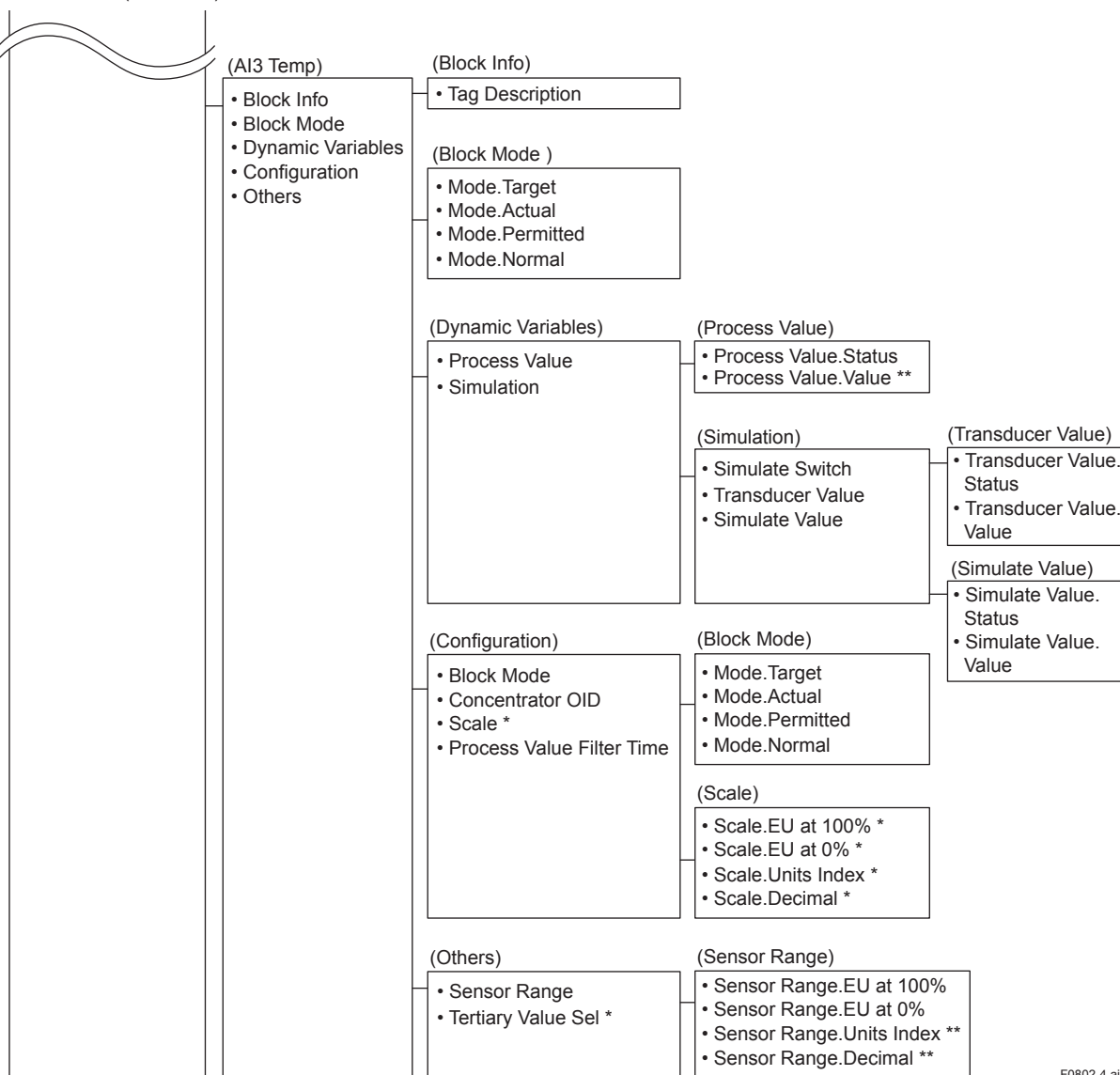
Online Menu (continued)



F0802-3.ai

\*: When the data of these parameters is rewritten, it is necessary to set the operational mode of the block to O/S (Out of Service).  
 \*\*: When the data of these parameters is rewritten, it is necessary to set the operational mode of the block to Manual.

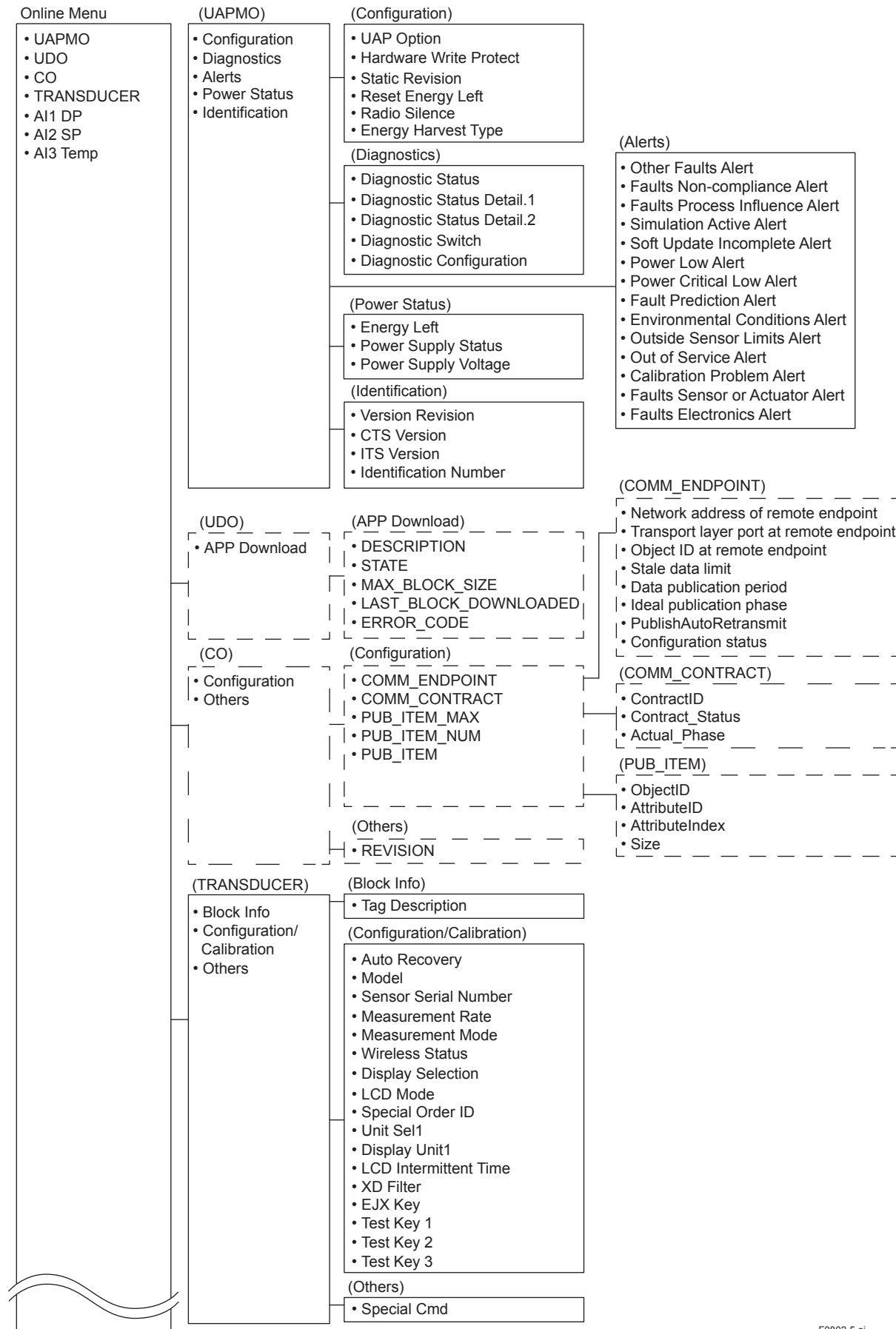
Online Menu (continued)



F0802-4.ai

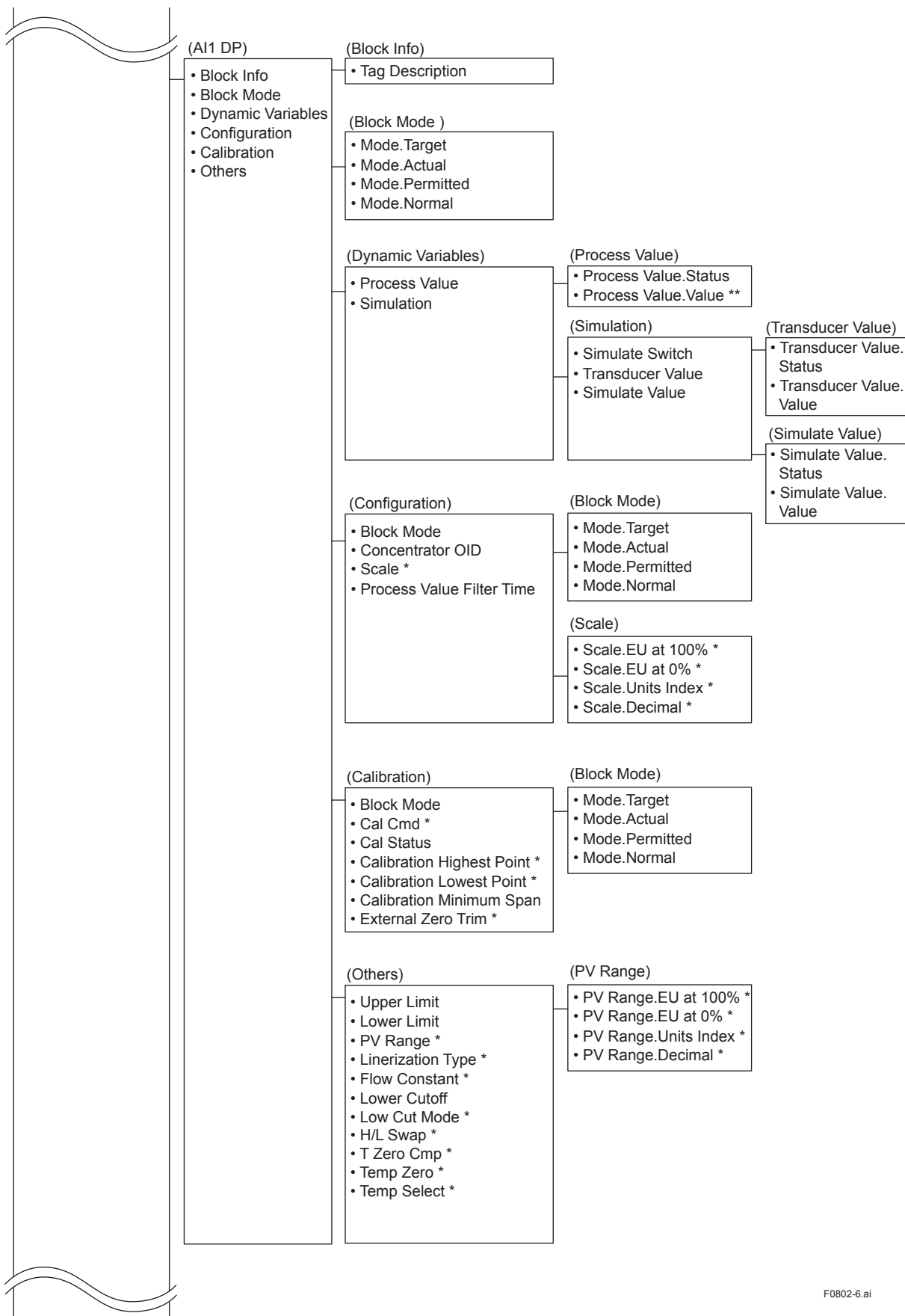
\*: When the data of these parameters is rewritten, it is necessary to set the operational mode of the block to O/S (Out of Service).  
 \*\*: When the data of these parameters is rewritten, it is necessary to set the operational mode of the block to Manual.

**(b) Detachable antenna type (Amplifier housing code: 8 or 9)**



F0802-5.ai

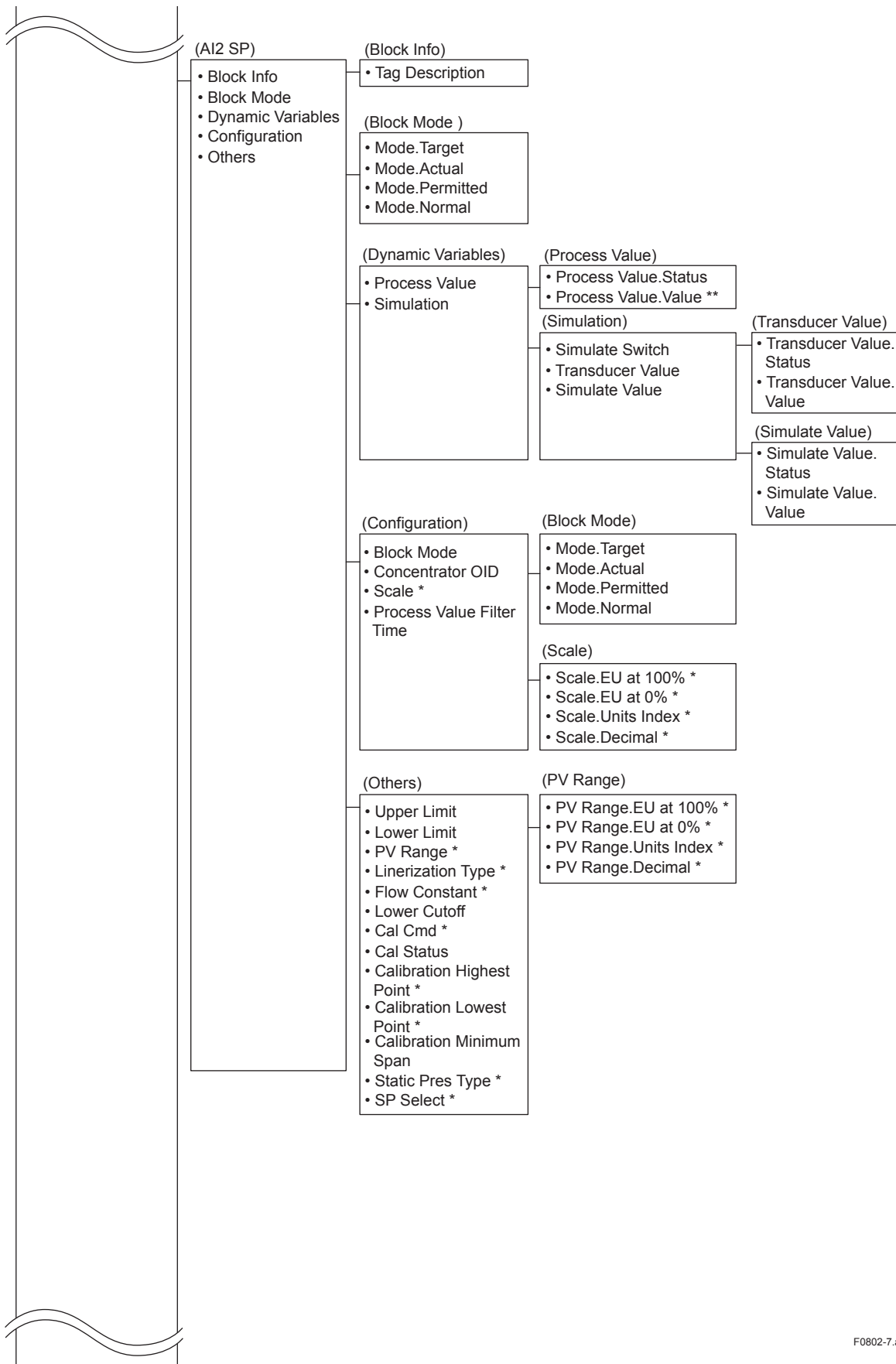
Online Menu (continued)



F0802-6.ai

\*: When the data of these parameters is rewritten, it is necessary to set the operational mode of the block to O/S (Out of Service).  
 \*\*: When the data of these parameters is rewritten, it is necessary to set the operational mode of the block to Manual.

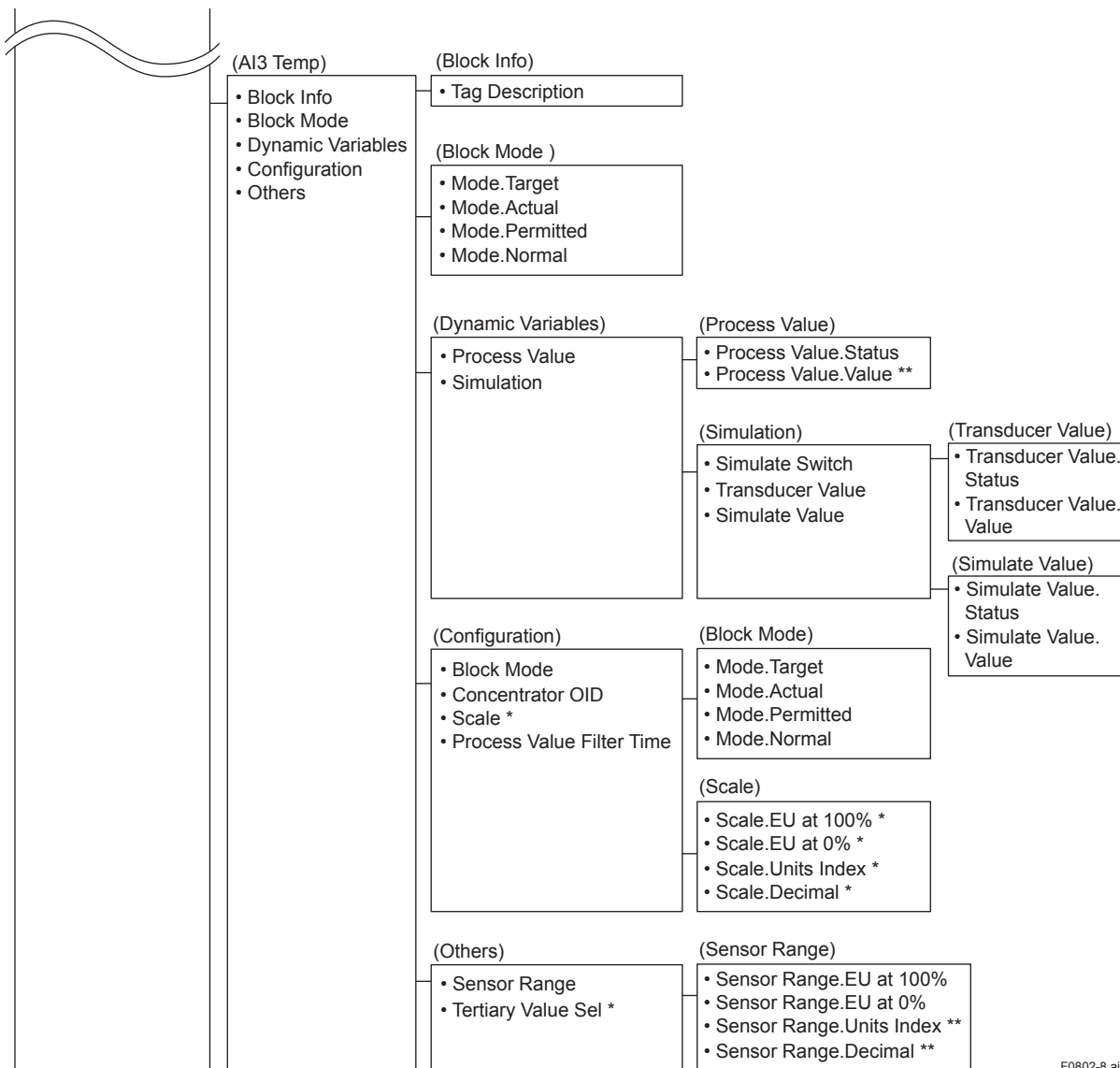
Online Menu (continued)



F0802-7.ai

\*: When the data of these parameters is rewritten, it is necessary to set the operational mode of the block to O/S (Out of Service).  
 \*\*: When the data of these parameters is rewritten, it is necessary to set the operational mode of the block to Manual.

Online Menu (continued)



F0802-8.ai

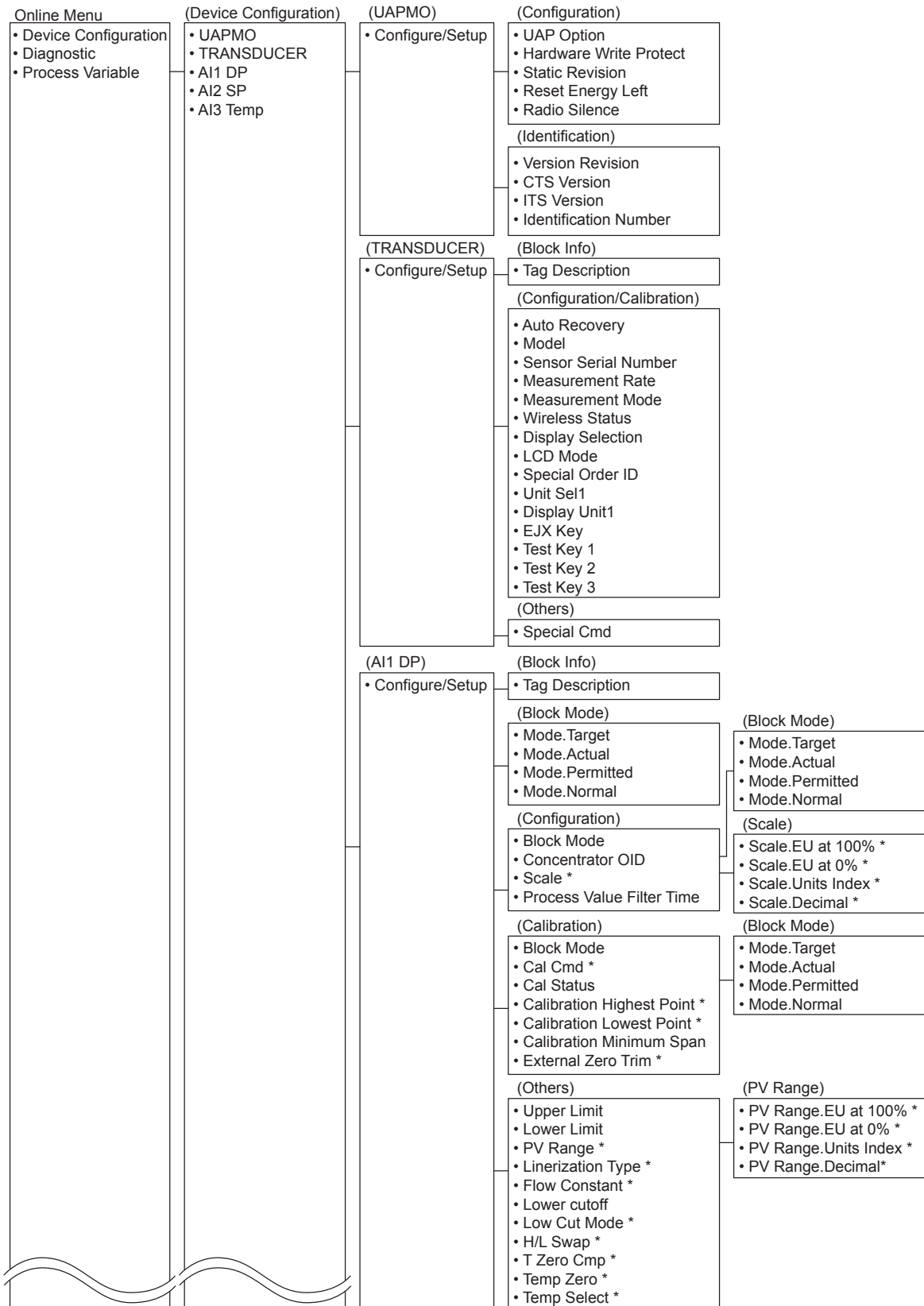
\*: When the data of these parameters is rewritten, it is necessary to set the operational mode of the block to O/S (Out of Service).  
 \*\*: When the data of these parameters is rewritten, it is necessary to set the operational mode of the block to Manual.



**(2) Menu Tree**

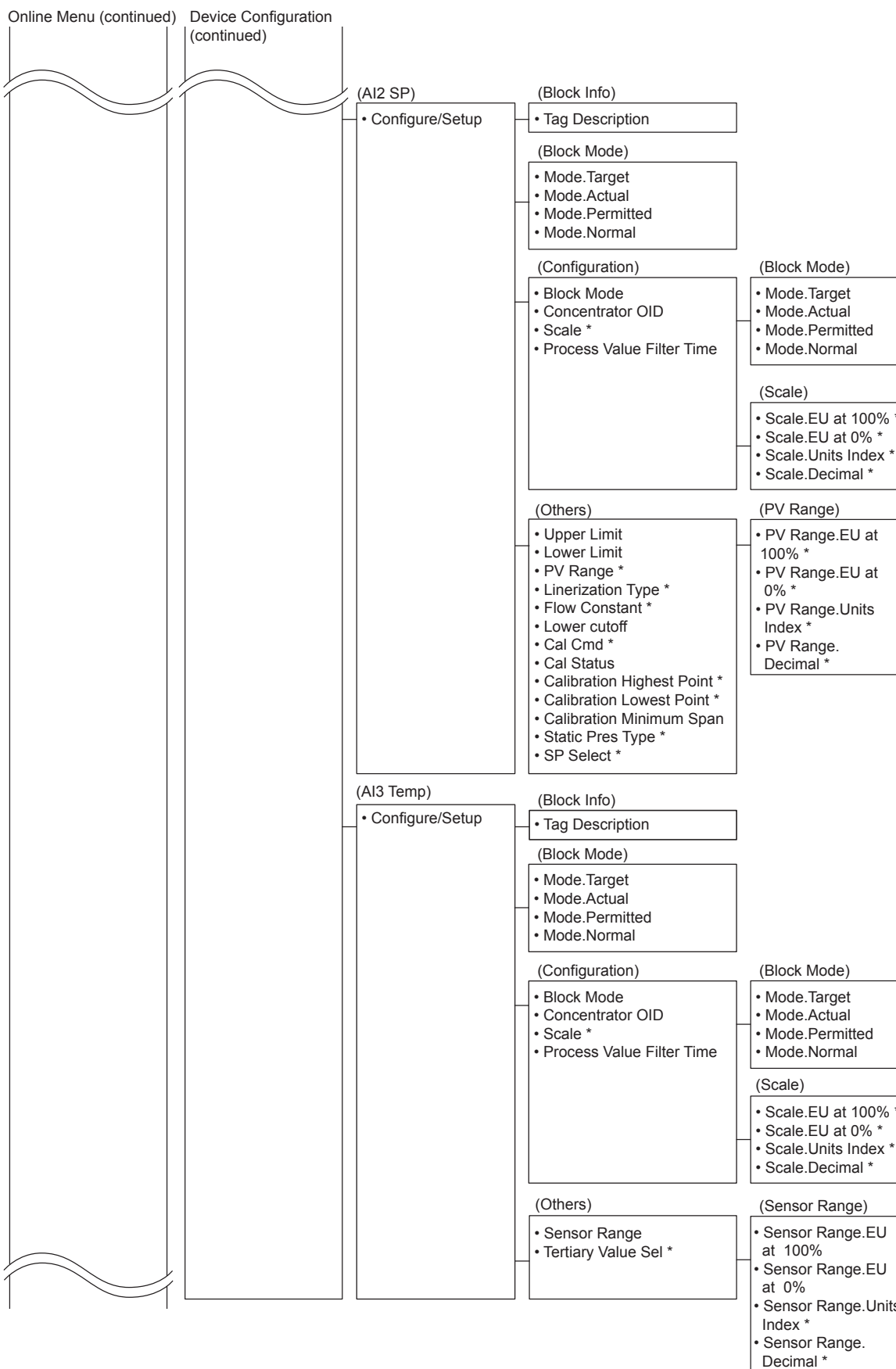
The menu tree of the device configuration tool of our recommendation is shown below. Refer to Subsection 9.2 “Calibration Instruments Selection” for the device configuration tool of our recommendation.

**(a) Integral antenna type (Amplifier housing code: 7)**



F0803-1.ai

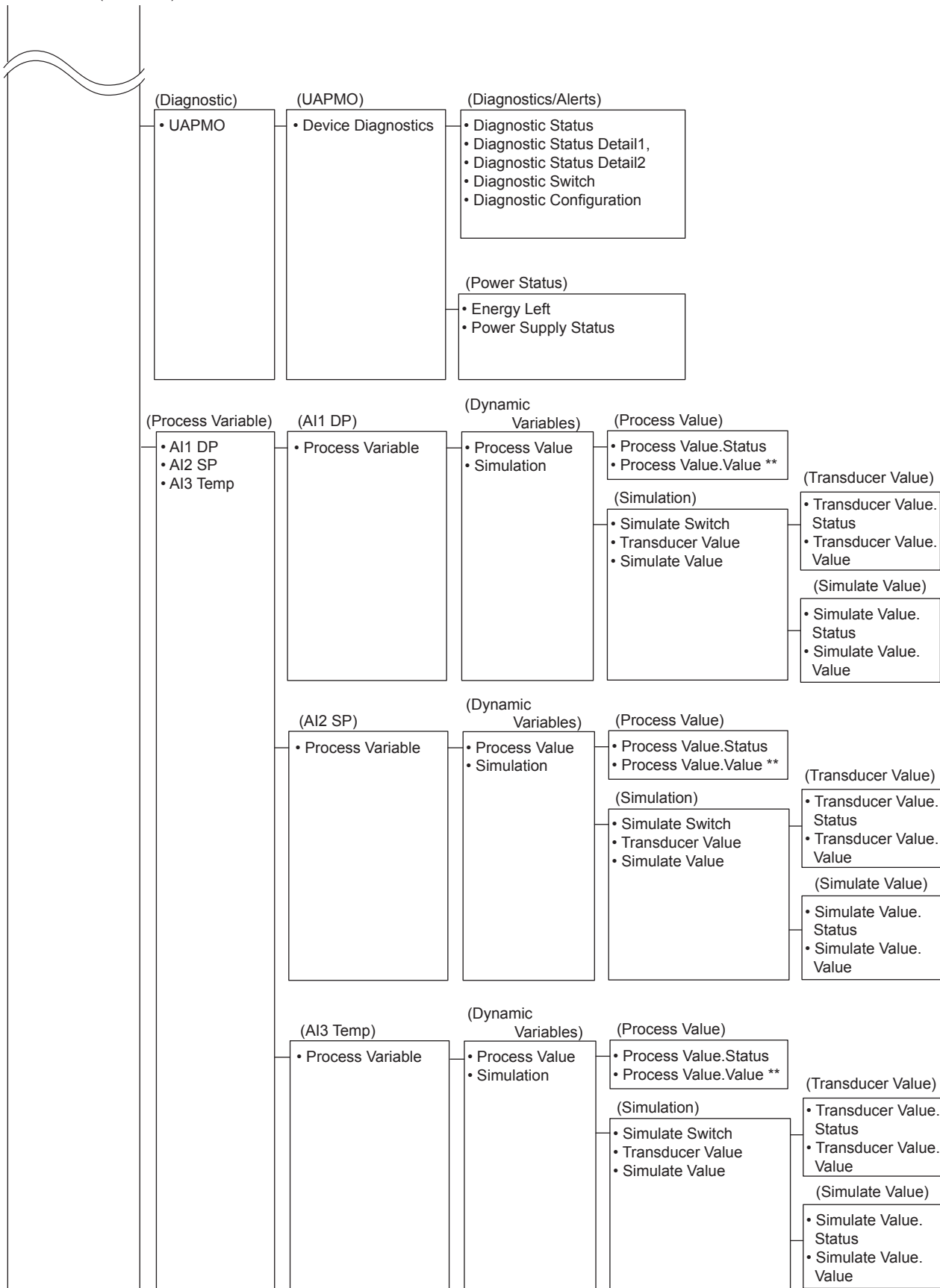
\*: When the data of these parameters is rewritten, it is necessary to set the operational mode of the block to O/S (Out of Service).



F0803-2.ai

\*: When the data of these parameters is rewritten, it is necessary to set the operational mode of the block to O/S (Out of Service).

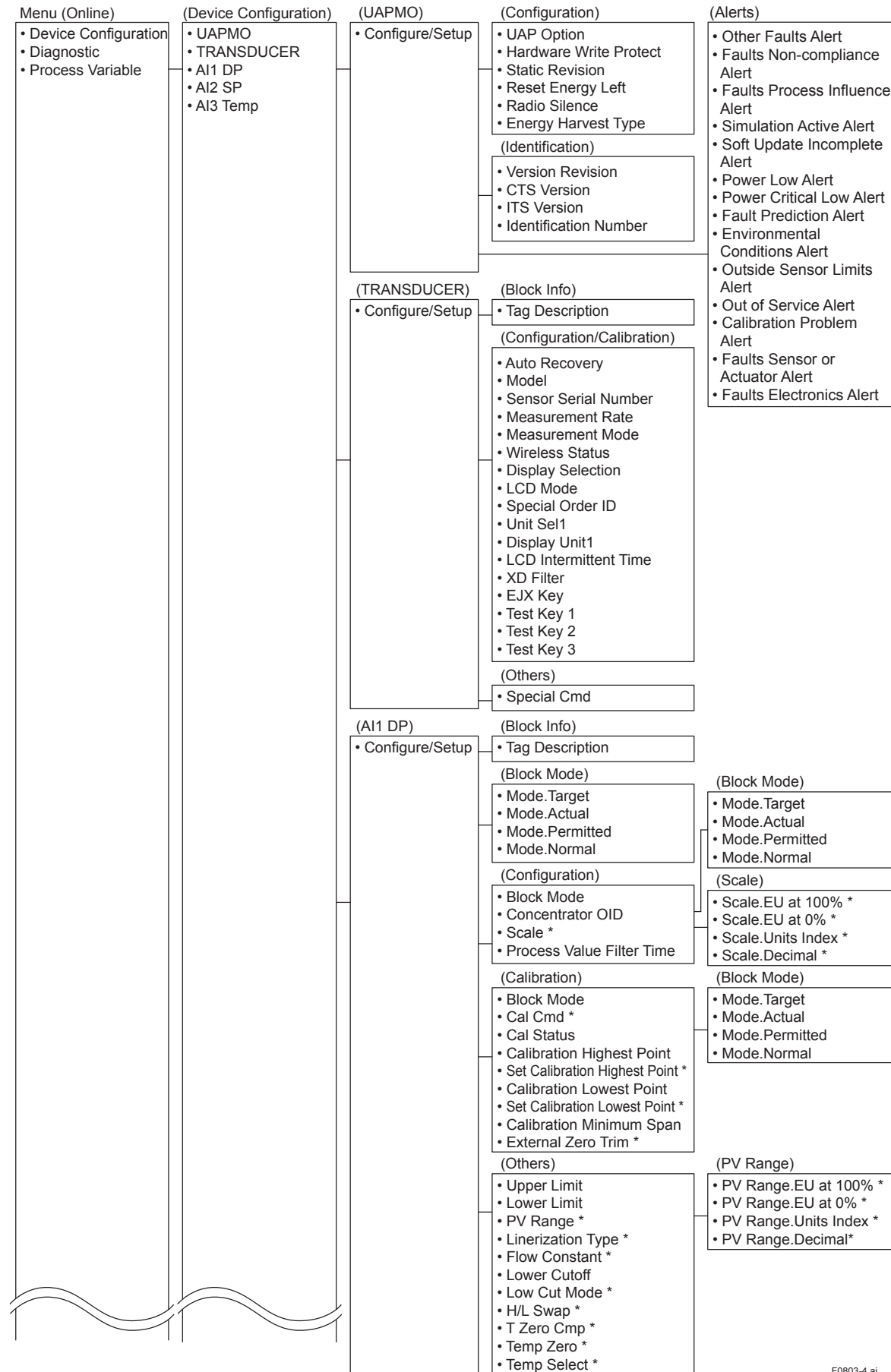
Online Menu (continued)



F0803-3.ai

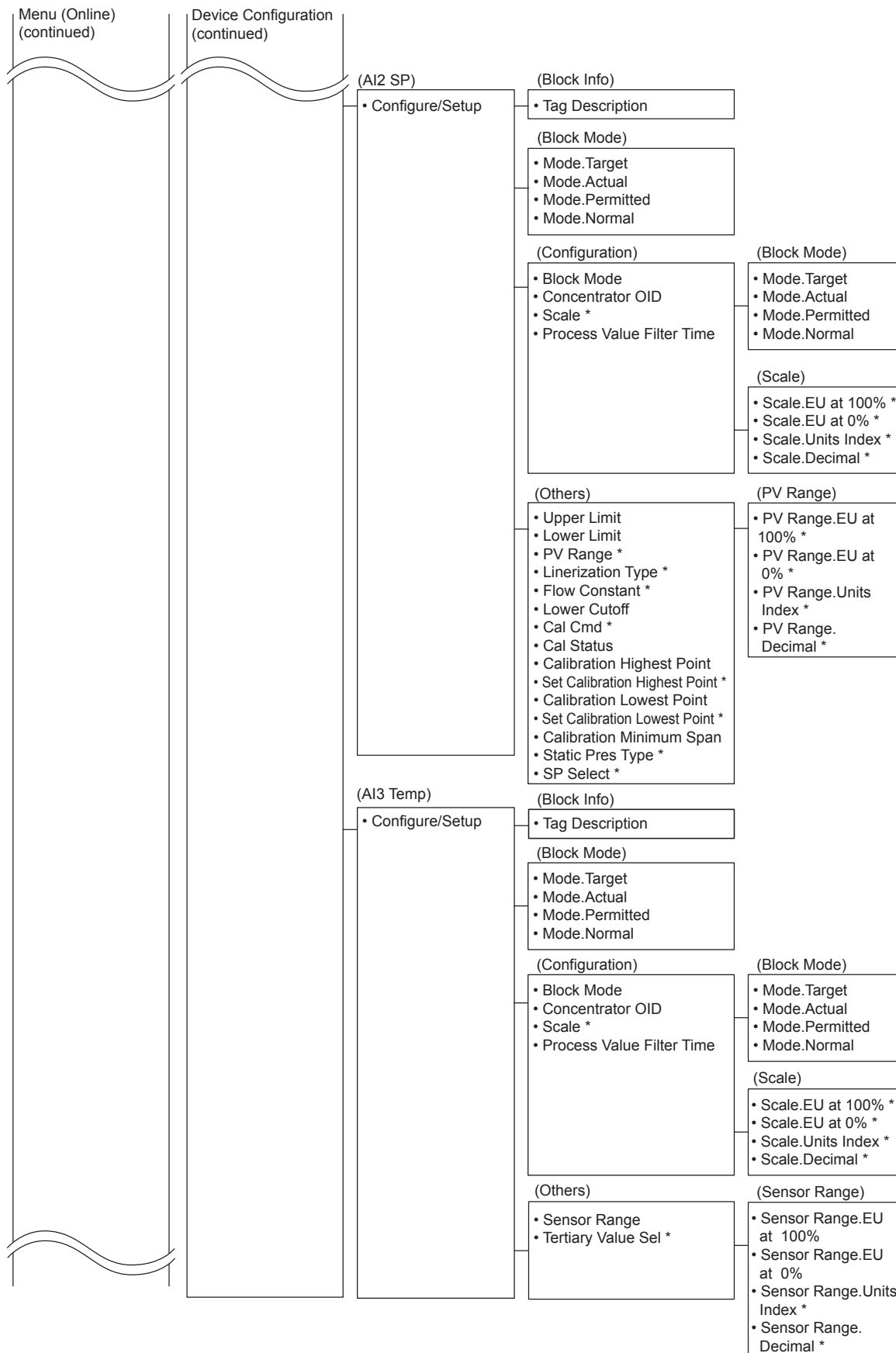
\*: When the data of these parameters is rewritten, it is necessary to set the operational mode of the block to O/S (Out of Service).

**(b) Detachable antenna type (Amplifier housing code: 8 or 9)**



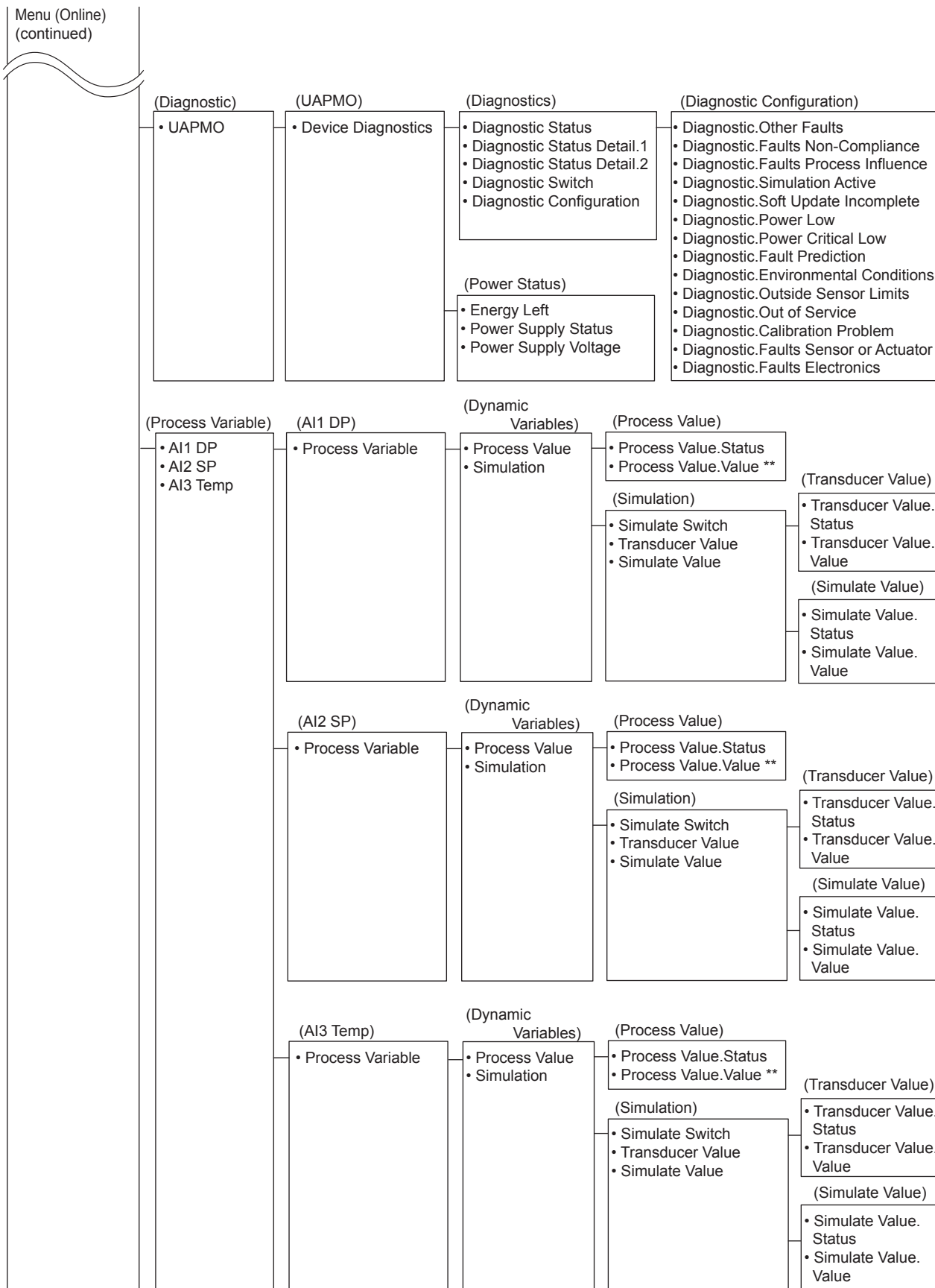
F0803-4.ai

\*: When the data of these parameters is rewritten, it is necessary to set the operational mode of the block to O/S (Out of Service).



F0803-5.ai

\*: When the data of these parameters is rewritten, it is necessary to set the operational mode of the block to O/S (Out of Service).



F0803-6.ai

\*: When the data of these parameters is rewritten, it is necessary to set the operational mode of the block to O/S (Out of Service).

### 8.3.3 Parameters for Wireless Communication

#### (1) Network Information

Concentrator object block: Configuration

Allows confirming the network information.

#### (2) Update Time

CO block: Data publication period

Sets the update time value to 0.5 to 3,600 seconds. When amplifier housing code 7 is specified, note that more than one second is available. The setting affects the battery life.

When update time is set 0 seconds, the transmitter is stopped to update process variables by way of the field wireless network. And the transmitter continues to measure process variables with special interval time internally.

#### (3) Measurement Mode

TRANSDUCER block: Measurement Mode

The setting affects the battery life; it becomes shorter in the continuous mode.

When the update period is set to 1 second or less in intermittent mode, the mode is continuous mode, regardless of the measurement mode and the display.

#### (4) Measurement Rate

TRANSDUCER block: Measurement Rate

Reads the measurement rate value from 0.5 to 3600 seconds. When amplifier housing code 7 is specified, note that the period more than one second is displayed. The shorter the measurement period, the shorter the battery life.

#### (5) Remaining battery life

UAPMO block: Energy Left

The number of days of remaining battery life is indicated assuming ambient temperature condition as 23 degrees Celsius. It takes several days for the indicated value to be stabilized after the power on and initialization of the remaining battery life.

UAPMO block: Reset Energy Left

When changing batteries, the remaining battery life is initialized by Reset Energy Left parameter.

#### (6) LCD display

The following steps describe how to set LCD display.

- **Integral antenna type (Amplifier housing code: 7)**

1. On/Off of display

When "LCD Intermittent" in LCD Mode is selected, the LCD first displays a set of screens to be shown and then turns off for a minute, and the display keeps the cycle repeatedly. Not selecting this parameter turns the LCD off.

2. On/Off of continuous display mode

When "LCD Continue" in LCD Mode is selected, the LCD displays for 5 minutes continuously then transits to the setting in the LCD Intermittent.

When measurement mode is set as continuous mode, the LCD displays continuously regardless of display mode.

When the update time is set to 1 second, the LCD display stays on regardless of the status in LCD Mode.

3. On/Off of bar graph

Select "LCD Bargraph ON" in LCD Mode when the bar graph is required.

- **Detachable antenna type (Amplifier housing code: 8 or 9)**

1. On/Off of display

When "Enable" in LCD Mode is selected, the LCD displays a set of screens to be shown and turns off for the specified time based on LCD Intermittent Time, and the display keeps the cycle repeatedly. Not selecting this parameter turns the LCD off.

2. On/Off of continuous display mode

When "Enable" is set to LCD Mode and zero is set to LCD Intermittent Time, the LCD displays continuously.

3. On/Off of bar graph

Select "LCD Bargraph ON" in LCD Mode when the bar graph is required.

When the wireless connection process is in the status of "ready," "pause," or "join," the LCD display stays on regardless of the status in LCD Mode.





**NOTE**

When the device detects AL01 and AL02, the LCD display stays on regardless of the status in LCD mode. See Table 9.3 and 9.4 Alarm Message for details.

**8.3.4 Tag and Device Information**

If these are specified when ordering, the designated Tag No. and device information are set and shipped. Tag No. and device information can be checked as follows.

- Procedure to call up the tag No. and device information
  - Device Tag ( Software Tag )  
This is specified when writing characters (up to 16 characters) of amplifiers TAG that differ from characters specified in Tag No. Refer to section 7.4 “Connection to the Field Wireless Network” for confirmation.
  - Tag Description  
This is a universal parameter to store the comment that describes the content of the tag located in the TRANSDUCER and AI blocks.  
The AI1 and AI3 blocks of the AI blocks correspond to the pressure and temperature, respectively.
- When changing the device information, input the information based on the following limitation on the number of characters.
  - Message function (up to 32 characters)  
TRANSDUCER block : Tag Description  
AI1, AI3 block : Tag Description

**8.3.5 Unit**

The unit parameter is set at the factory before shipment if specified at the time of order. Follow the procedure below to change the unit parameter.

- Procedure to call up the Unit display (Units Index)  
AI1, AI3 block : Scale.Units Index

To change the Unit display, choose desired unit among the list of displayed unit selecting AI1 block as for the pressure, and AI3 block as for temperature in the AI blocks.

**8.3.6 Range Change**

The range values are factory-set as specified by the customer. To change the range, follow the steps below.

The measurement span is determined by the upper and lower range values. In this method, the upper and lower range values can be set independently, and the span changes according to the range limit values sent to the transmitter.

- Procedure to call up the PV Range display.  
AI1 block : PV Range

Select the AI1 block for the pressure, then select “EU at 0%” and “EU at 100%” displayed in the PV Range parameters. And input the lower range and upper range values for the range.

**8.3.7 Output Signal Low Cut Mode Setup**

Low cut mode can be used to stabilize the output signal near the zero point.  
( There is 10% of hysteresis at only point of transition from low to high)

**[Setup Low Cut Value]**

- Procedure to call up the Lower cutoff\* display  
AI1 block : Lower cutoff\*

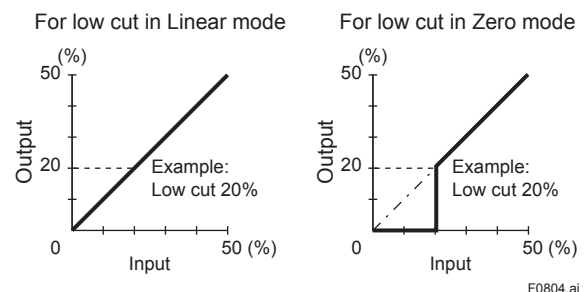
Example: setup LOW\_CUT of output to 15%

Lower cutoff\*  
= (“Eu at 100%” - “Eu at 0%”) × 0.15 + “Eu at 0%”

\*: “Low Cutoff” is used instead of “Lower cutoff” for Detachable antenna type (Amplifier housing code: 8 or 9).

**[Setup Low Cut Mode]**

- Procedure to call up the Low Cut Mode display  
AI1 block : Low Cut Mode

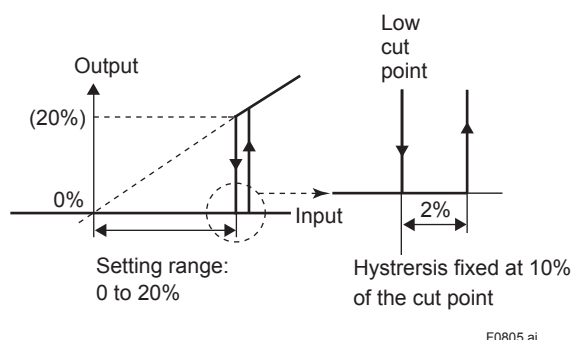


**Figure 8.3 Low Cut Mode**

The low cut point has hysteresis so that the output around the point is behaved as below figure.

<Example>

- Output mode: Linear
- Low cut mode: Zero
- Low cut: 20.00%



### 8.3.8 Integral Indicator Scale Setup

The following two displays are available for the integral indicator: pressure and temperature. The following two variables can be displayed on the integral indicator: % of pressure range, and % of temperature range.

Available displays	Description and related parameters
	Indicates input pressure in -10 to 110% range depending on the set range (LRV and URV).  PRES % 45.6 %

Follow the procedure described in (1) to (2) below to set the integral indicator.

#### (1) Display Selection

Display set to Display Selection is displayed on the integral indicator.

- Procedure to call up the Display Selection display  
TRANSDUCER block: Display Selection

The Display Selection parameter enables the pressure (AI1 block), and temperature (AI3 block) to be displayed on the LCD. Select whether or not to enable each block to be displayed.

#### (2) Cyclic Display

Information in the AI1, AI3 blocks can be displayed cyclically according to the display On/Off setting for the pressure (AI1 block), and temperature (AI3 block) selected in the Display Selection parameter.

### 8.3.9 Unit for Displayed Temperature

When the instrument is shipped, the temperature units are set to C (Centigrade). Follow the procedure below to change this setting.

- Procedure to call up the Sensor Range.Units Index display  
AI3 Block: Sensor Range.Units Index

Confirm that °C (deg C) is selected in the Units Index parameter for the temperature(AI3 block).

Note: When the unit is changed by Sensor Range.Units Index parameter in temperature (AI3 block), units of capsule temperature is also changed.

### 8.3.10 Zero Point Adjustment and Span Adjustment

Each EJX-B series transmitter is characterized by factory. But there are some errors caused by environment and installed posture.

There are Zero and Span Adjustments to fine-tune those errors.

Zero Adjustment is adjustment for one point to adjust the bottom value of the measurement range as 0% of output.

The Span Adjustment defines input and output characteristic between two points that's one side assumed as standard.

This is used when there is doubt of span drift or when it is impossible to make zero at absolute pressure with adjustment for user's pressure standard.

**(1) Zero Point Adjustment**

**a. To set 0% at current input, perform following procedure.**

This method is used only when the pressure at bottom of measurement range is zero.

- Procedure to call up the lower limit adjustment parameter (Calibration Lowest Point).  
AI1 block : Calibration Lowest Point

Set 0 to Calibration Lowest Point parameter for pressure (AI1 block).

- Procedure to call up the calibration adjustment parameter (Cal Cmd).  
AI1 block : Cal Cmd : CAL\_LOW

Lower limit is changed by using Cal Cmd parameter for pressure (AI1 block).

- Procedure to call up the calibration adjustment parameter (Cal Status)  
AI1 block: Cal Status

Confirm the calibration status of CAL\_SUCCESS (1) using the Cal Status parameter.

**b. To match current input and output value, follow procedure**

Like the measurement that is impossible to set process pressure to 0kPa, output value is adjustment to actual level by other measurement using glassgage.

Example:

Pressure Transmitter's span is 0 to 25.00kPa, current level is 13.50kPa, current output is 13.83kPa.

- Procedure to call up the lower limit adjustment parameter (Calibration Lowest Point).  
AI1 Block: Calibration Lowest Point

Set the actual level value of 13.50 kPa to the Calibration Lowest Point parameter for the pressure (AI1 block). Apply an actual input and confirm the value specified in Calibration Lowest Point as the output value.

- Procedure to call up the calibration adjustment parameter (Cal Cmd).  
AI1 block: Cal Cmd: CAL\_LOW

The present output is changed from 13.83kPa to 13.50 kPa in CAL\_LOW of the pressure (AI1 block) Cal Cmd parameter.

- Procedure to call up the calibration status parameter (Cal Status).  
AI1 block: Cal Status

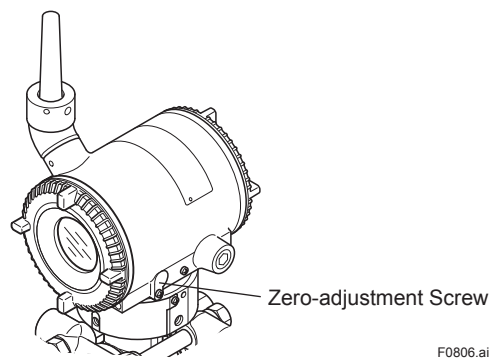
Confirm the calibration status of Cal Status (1) using the Cal Status parameter.

**c. Using External Zero adjustment Screw**

External Zero-adjustment parameter (External Zero Trim) can set permission or prohibition to adjustment by External Zero-adjustment Screw.

Set "Trim on" to use the External Zero-adjustment Screw. ("Trim on" at shipment)

Use a slotted screwdriver to turn the zero-adjustment screw. Equalize the transmitter, then turn the screw clockwise to increase the output or counterclockwise to decrease the output. The zero point adjustment can be made with a resolution of 0.01% of the setting range. The degree of zero adjustments varies with the screw turning speed; turn the screw slowly to make a fine adjustment, quickly to make a rough adjustment.



**Figure 8.2 Zero-adjustment Screw**

F0806.ai

## (2) Span Adjustment

Span Adjustment is function to change the input and output characteristic that assumed the bottom value (zero point) of measurement range a standard.

Therefore, perform span adjustment (adjustment of the upper limit value) after zero adjustment (adjustment of bottom limit value).

After adding the pressure at point of adjustment and setting pressure value as parameter, the transmitter calculates quantity of adjustment and performs adjustment automatically.

- Procedure to call up the lower limit value parameter (Calibration Lowest Point)  
AI1 block: Calibration Lowest Point

Set the lower limit adjustment value on the pressure (AI1 block) Calibration Lowest Point parameter screen. Apply a reference pressure corresponding to the lower limit of the measurement range to the pressure transmitter and confirm the pressure when it stabilized.

- Procedure to call up the calibration adjustment parameter (Cal Cmd)  
AI1 block: Cal Cmd: CAL\_LOW

Confirm the lower limit of the measurement range in CAL\_LOW of the pressure (AI1 block) Cal Cmd parameter.

- Procedure to call up the calibration status parameter (Cal Status)  
AI1 block: Cal Status

Confirm the calibration status of CAL\_SUCCESS (1) using the Cal Status parameter.

- Procedure to call up the upper limit adjustment parameter (Calibration Highest Point)  
AI1 block: Calibration Highest Point

Set the upper limit adjustment value for the pressure (AI1 block) Calibration Highest Point parameter. Apply a reference pressure corresponding to the upper limit of the measurement range to the pressure transmitter and confirm the when it has stabilized.

- Procedure to call up the calibration adjustment parameter (Cal Cmd)  
AI1 block: Cal Cmd: CAL\_HIGH

Confirm the upper limit of the measurement range in CAL\_HIGH of the pressure (AI1 block) Cal Cmd parameter.

- Procedure to call up the calibration status parameter (Cal Status)

AI1 block: Cal Status

Confirm the calibration status of Cal Status (1) using the Cal Status parameter.

## (3) Reset Adjustments

Reset Adjustment clear the amount of adjustment.

Reset Adjustment can be performed using CAL\_CLEAR of the pressure (AI1 block) Cal Cmd parameter for the input pressure. After calibration, confirm status by using the pressure (AI1 block) Cal Status.

The amount of adjustment made by the external zero-adjustment screw can be reset to the initial setting as well.

- Procedure to call up the calibration adjustment parameter (Cal Cmd).

AI1 block: Cal Cmd: CAL\_CLEAR

### 8.3.11 Software Write Protect

Hardware write protection and software write protection functions are available for this transmitter

- Procedure to call up the protection setting parameter (UAP Option)  
UAPMO block: UAP Option

The following settings can be configured in the UAP Option parameter.

- Setting to enable or disable software write protection.
- Setting to enable or disable the hardware write protection switch.
- Setting to enable or disable changing the setting to the Diagnostic Switch and Diagnostic Configuration parameters.

- Procedure to call up the protection setting display parameter (Hardware Write Protect)  
UAPMO block: Hardware Write Protect

The Hardware Write Protect parameter enables the switch status of hardware write protection to be displayed.

For the relationship between hardware write protection and software write protection, refer section 10. "Parameter Summary".

### 8.3.12 Switching to Deep Sleep Mode

When the instrument will not be used for a long time, switch the instrument to deep sleep mode to conserve battery power.

To switch to deep sleep mode, follow the procedure below.

- Procedure to call up the switch-to-deep-sleep parameter

TRANSDUCER block: Special Cmd

Set Deep Sleep mode (Standby) to the Special Cmd parameter for the TRANSDUCER block. To start from deep sleep mode, either remove and insert the battery pack, or use the provisioning device tool or the device configuration tool via infrared communication.



#### CAUTION

---

After setting the deep sleep mode by infrared device configuration tool, keep the infrared port of device away from any other infrared signals.

---



#### NOTE

- Transmitter becomes the stop state after setting deep sleep mode and cannot reply any request from the device configuration tool via wireless communication.
  - For this reason, there is the case that an error is display on the device configuration tool via wireless communication.
  - To wake up from deep sleep mode, please pull battery pack, and wait more than 30 seconds before attaching battery back.
- 

### 8.3.13 Switching to Silence Mode

This is a function to pause the instrument when it cannot join the field wireless network after a specified time has elapsed. This function is effective in conserving battery power when, for example, the installation of the field wireless integrated gateway is delayed compared to that of field wireless devices. The default value is 28800 seconds (8 hours). Thereafter, a cycle of a one-hour pause and six-minute search is repeated until the instrument can join the field wireless network.

- Procedure to call up the switch-to-silence parameter (Radio Silence)

UAPMO block: Radio Silence

Set 0 to 2<sup>31</sup> seconds for the Radio Silence parameter of the UAPMO block. If 0 is set, the Radio Silence parameter is invalid. To start from silence mode, either remove and insert the battery pack, or use the provisioning device tool or the device configuration tool via infrared communication.

## 8.4 Self-Diagnostics

UAPMO block: Diagnostic Status

### 8.4.1 Identify Problems by Using the Device Configuration Tool

Any of the four categories (Check function, Maintenance required, Failure, and Off specification) according to NAMUR NE107\* is supplied to Diagnostic Status of each diagnostic result.

First, check Diagnostic Status of the self-diagnostic result.

Table 8.3 Diagnostic Status

Bits	Contents	Example NAMUR NE107 Categorization
Bit31 (MSB)	F: Failure status	---
Bit30	C: Function check status	---
Bit29	O: Out of specification status	---
Bit28	M: Maintenance required status	---
Bit27	Faults in electronics	F
Bit26	Faults in sensor or actuator element	F
Bit25	Installation, calibration problem	C
Bit24	Out of service	C
Bit23	Outside sensor limits	O
Bit22	Environmental conditions out of device specification	O
Bit21	Fault prediction: Maintenance required	M
Bit20	Power is critical low: maintenance need short-term	M
Bit19	Power is low: maintenance need mid-term	M
Bit18	Software update incomplete	C
Bit17	Simulation is active	C
Bit16**	Faults due to process influence	F
Bit15**	Faults due to non-compliance with specified operating conditions	F
Bit14**	Other faults	F
Bit13-Bit08	reserved by WCI	---
Bit07-Bit01	vendor specific area	---
Bit00	Detail information available 1: available 0: no available	---

Checking the Diagnostic Status category allows taking the proper action. The Diagnostic Status contents are common for all ISA devices, and the setting for the Diagnostic Status category can be changed. For further details, refer to Diagnostic Status Detail.

In Diagnostic Status Contents that can be diagnosed by the EJX, the alert category set in Out of Service can be changed to Check function. To do so, follow one of the procedures below.

- a) UAPMO block: UAP Option, select enable.
- b) UAPMO block: Diagnostic Configuration, change Out of Service from Failure to Check function.
- c) UAPMO block: UAP Option, select disable.

The contents of diagnostic status are defined either valid or invalid at Diagnostic Switch parameter. Follow the example below to change “Out of Service” to invalid.

- a) UAPMO block: UAP Option, select enable.
- b) UAPMO block: Diagnostic Switch, turn ON Turn off “Out of Service”. Out of Service.
- c) UAPMO block: UAP Option, select disable.

Note: Be careful when changing the alert category and turning detection on and off as described above. Be sure to set UAP OPTION to disable again to prevent setting errors.

\*: NAMUR NE107 “Self-Monitoring and Diagnosis of Field Devices”  
In Diagnostic Configuration setting, select one from the followings; F: Failure status, C: Function check status, O: Out of specification status, or M: Maintenance required status.

\*\* : Applicable for Detachable antenna type (Amplifier housing code: 8 or 9).



### 8.4.2 Alert Report

EJX generates alert information related to Diagnostic Status and automatically sends to a field wireless gateway. To use this function, the following alert setting is necessary. When “Out of Service” for Diagnostic Status alert is required, choose “FALSE” for [Out of Service.Alert Disable] in the UAPMO block. Refer to the field wireless gateway User’s Manual for the setting procedure to obtain the alert information from the gateway.

The alert report consists of the list of parameter names as shown Table 8.4 below.

**Table 8.4 Contents of Alert Report**

Parameter name	Description
DetectObjectTLPort	Alert detection port UAP (0xF0B2) fixed
DetectObject	Alert detection block UAPMO (1) fixed
DetectTime	Time stamp
AlertDirection	1: generated, 0: clear
AlertPriority	Alert priorities set by users
AlertType	Alert types, see 8.4 Self-Diagnostics
AlertValue	NAMUR107 category 0:Failure, 1:checkFunction, 2:OffSpec, 3:MaintenaceRequired



### CAUTION

For a wireless gateway which does not support the alert report function, the alert setting in UAPMO block for the transmitter must be set to “Disable.” Note that YFGW710 field wireless integrated gateway does not have the alert report function.



Table 8.4 Diagnostic Results Summary

Diagnostic Status Contents	Alert Type	NAMUR NE107 Category	Diagnostic Status Detail	Description
Faults in electronics	78	F	AMP_T_SENSOR_FAIL *	Amplifier temperature sensor failure
			AMP_EEPROM_FAIL	Amplifier EEPROM failure
			AMP_EEP_IRREGULAR	AMP EEPROM version not correct
			G_A_COMM_FAIL	G/A failure
			FC_DELTA_T_FAIL	C-side delta T circuit failure
			FR_DELTA_T_FAIL	R-side delta T circuit failure
			WL_AD_FAIL	Battery voltage not detected (AMP failure)
Faults in sensor or actuator element	77	F	FC_SENSOR_FAIL	C sensor frequency failure
			FR_SENSOR_FAIL	R sensor frequency failure
			CAP_T_SENSOR_FAIL	Capsule temperature sensor failure
			CAP_EEPROM_FAIL	Capsule EEPROM failure
			CAP_EEP_IRREGULAR	CAP EEPROM version not correct
			FC_UNOSC_FAIL	C sensor oscillation stop failure
			FR_UNOSC_FAIL	R sensor oscillation stop failure
Installation, calibration problem	76	C	DP_TRIM_SPAN_OUTSIDE	"Pressure span adjustment variable outside of range"
			DP_TRIM_ZERO_OUTSIDE	"Pressure zero adjustment variable outside of range"
			SP_TRIM_SPAN_OUTSIDE	"Static pressure span adjustment variable outside of range"
			SP_TRIM_ZERO_OUTSIDE	"Static pressure zero adjustment variable outside of range"
			LCD_OUTSIDE_LIMIT	LCD display outside of limits
Out of service	75	O	AI1_OUT_OF_SERVICE	AI1 O/S mode
			AI2_OUT_OF_SERVICE	AI2 O/S mode
			AI3_OUT_OF_SERVICE	AI3 O/S mode
Outside sensor limits	74	C	DP_OUTSIDE_LIMIT	Pressure outside of range
			SP_OUTSIDE_LIMIT	Static pressure outside of range
			CAPT_OUTSIDE_LIMIT	Capsule temperature outside of range
			AMPT_OUTSIDE_LIMIT	Amplifier temperature outside of range
Environmental conditions out of device specification.	73	O	DP_OUTSIDE_RANGE	Pressure setting outside of range
			SP_OUTSIDE_RANGE	Static pressure setting outside of range
Power is critical low: maintenance need short-term.	71	M	WL_DEEPSLP_ALM *	Deep sleep due to low battery
			CRITICAL_LOWBAT **	Deep sleep due to low battery
Power is low: maintenance need mid-term	70	M	WL_LOWBAT_ALM	Low battery
Simulation is active	68	C	AI1_SIMULATION_ACTIVE	AI1 Simulation mode
			AI2_SIMULATION_ACTIVE	AI2 Simulation mode
			AI3_SIMULATION_ACTIVE	AI3 Simulation mode

Not applicable for the diagnostic regarding AI2 object and static pressure measurement.

\*: Applicable for Integral antenna type (Amplifier housing code: 7).

\*\* : Applicable for Detachable antenna type (Amplifier housing code: 8 or 9).

### 8.4.3 Checking with Integral Indicator



#### NOTE

If an error is detected by running self-diagnostics, an error number is displayed on the integral indicator. If there is more than one error, the error number changes at three-second intervals. See Table 9.4 regarding the error codes.



F0807.ai

Figure 8.3 Integral Indicator

# 9. Maintenance

## 9.1 Overview



### WARNING

Since the accumulated process fluid may be toxic or otherwise harmful, take appropriate care to avoid contact with the body or inhalation of vapors when draining condensate or venting gas from the transmitter pressure-detector section and even after dismounting the instrument from the process line for maintenance.

Maintenance of the transmitter is easy due to its modular construction. This chapter describes the procedures for calibration, adjustment, and the disassembly and reassembly procedures required for component replacement.

Transmitters are precision instruments. Please carefully and thoroughly read the following sections for information on how to properly handle them while performing maintenance.



### IMPORTANT

- As a rule, maintenance of this transmitter should be done in a maintenance room that has all the necessary tools.
- The CPU assembly, RF assembly and integral indicator contain sensitive parts that can be damaged by static electricity. Take precautions such as using a grounded wrist strap when handling electronic parts or touching the board circuit patterns. Also be sure to place the removed CPU assembly, RF assembly and integral indicator into a bag with an antistatic coating.

## 9.2 Calibration Instruments Selection

Table 9.1 lists the instruments that can be used to calibrate a transmitter. When selecting an instrument, consider the required accuracy level. Exercise care when handling these instruments to ensure they maintain the specified accuracy.

## 9.3 Calibration

Use the procedure below to check instrument operation and accuracy during periodic maintenance or troubleshooting.

- 1) Insert the battery pack and then perform provisioning to have the transmitter join the Field Wireless Network or preparing the infrared communication for calibration.
- 2) Set measurement mode to continuous using the field device configuration tool and the update period to 1 second using the field wireless configuration tool.
- 3) Connect the devices as shown in Figure 9.1 and allow the transmitter to warm up for at least 5 minutes.



### IMPORTANT

If the measurement range 0% point is 0 kPa or shifted in the positive direction (suppressed zero), the reference pressure should be applied as shown in the figure.

If the measurement range 0% point is shifted in the negative direction (elevated zero), the reference pressure should be applied using a vacuum pump.

- 4) Apply reference pressures of 0%, 50%, and 100% of the measurement range to the transmitter. Calculate the errors (differences between the device configuration tool readings and reference pressures) as the pressure is increased from 0% to 100% and is decreased from 100% to 0%, and confirm that the errors are within the required accuracy.
- 5) When the test is finished, reset measurement mode and update time to the initial value using the field device configuration tool and the field wireless configuration tool.

**Table 9.1 Instruments Required for Calibration**

Name	Yokogawa-recommended Instrument	Remarks
Provisioning device tool	<ul style="list-style-type: none"> <li>• FieldMate (R2.02.01 or later)</li> <li>• Provisioning Device Tool</li> <li>• Infrared Adapter certified by Yokogawa Supplier: ACTISYS Product name: IrDA InfraRed USB Adaptor Product number: IR224UN</li> </ul>	
Field wireless configuration tool	<ul style="list-style-type: none"> <li>• Field Wireless Integrated Gateway attached Software Field Wireless Configurator Field Wireless Management Tool</li> <li>• Field Wireless System related Product Plant Resource Manager (PRM) (R3.05 or later)</li> <li>• Device Configuration Tool via Wireless Communication FieldMate (R2.02.01 or later) DeviceFile (R3.01.01 or later)</li> <li>• Device Configuration Tool via Infrared Communication FieldMate (R2.03.00 or later) DeviceFile (R3.02.01 or later)</li> </ul>	
Digital manometer	<p>Model MT220 precision digital manometer</p> <p>1) For 10 kPa class Accuracy: <math>\pm(0.015\%</math> of rdg + 0.015% of F.S.) . . . . for 0 to 10 kPa <math>\pm(0.2\%</math> of rdg + 0.1% of F.S.) . . . . . for -10 to 0 kPa</p> <p>2) For 130 kPa class Accuracy: <math>\pm 0.02\%</math> of rdg . . . . . for 25 to 130 kPa <math>\pm 5</math> digits . . . . . for 0 to 25 kPa <math>\pm(0.2\%</math> of rdg + 0.1% of F.S.) . . . . . for -80 to 0 kPa</p> <p>3) For 700 kPa class Accuracy: <math>\pm(0.02\%</math> of rdg + 3digits) . . . . . for 100 to 700 kPa <math>\pm 5</math> digits . . . . . for 0 to 100 kPa <math>\pm(0.2\%</math> of rdg + 0.1% of F.S.) . . . . . for -80 to 0 kPa</p> <p>4) For 3000 kPa class Accuracy: <math>\pm(0.02\%</math> of rdg + 10 digits) . . . . . for 0 to 3000 kPa <math>\pm(0.2\%</math> of rdg + 0.1% of F.S.) . . . . . for -80 to 0 kPa</p> <p>5) For 130 kPa abs class Accuracy: <math>\pm(0.03\%</math> of rdg + 6 digits) . . . . . for 0 to 130 kPa abs</p>	<p>Select a manometer having a pressure range close to that of the transmitter.</p>
Pressure generator	<p>Model MC100 pneumatic pressure standard for 200 kPa {2 kgf/cm<sup>2</sup>}, 25 kPa {2500 mmH<sub>2</sub>O} Accuracy: <math>\pm 0.05\%</math> of F.S.</p>	<p>Requires air pressure supply.</p>
	<p>Dead weight gauge tester 25 kPa {2500 mmH<sub>2</sub>O} Accuracy: <math>\pm 0.03\%</math> of setting</p>	<p>Select the one having a pressure range close to that of the transmitter.</p>
Pressure source	<p>Model 6919 pressure regulator (pressure pump) Pressure range: 0 to 133 kPa {1000 mmHg}</p>	<p>Prepare the vacuum pump for negative pressure ranges.</p>

Note: The above table contains the instruments capable of performing calibration to the 0.2% level. Since special maintenance and management procedures involving traceability of each instrument to higher-level standards are required for calibration to the 0.1% or higher level, there may be difficulties in calibration to this level in the field. For calibration to the 0.1% level, contact Yokogawa representatives from which the instrument was purchased or the nearest Yokogawa office.

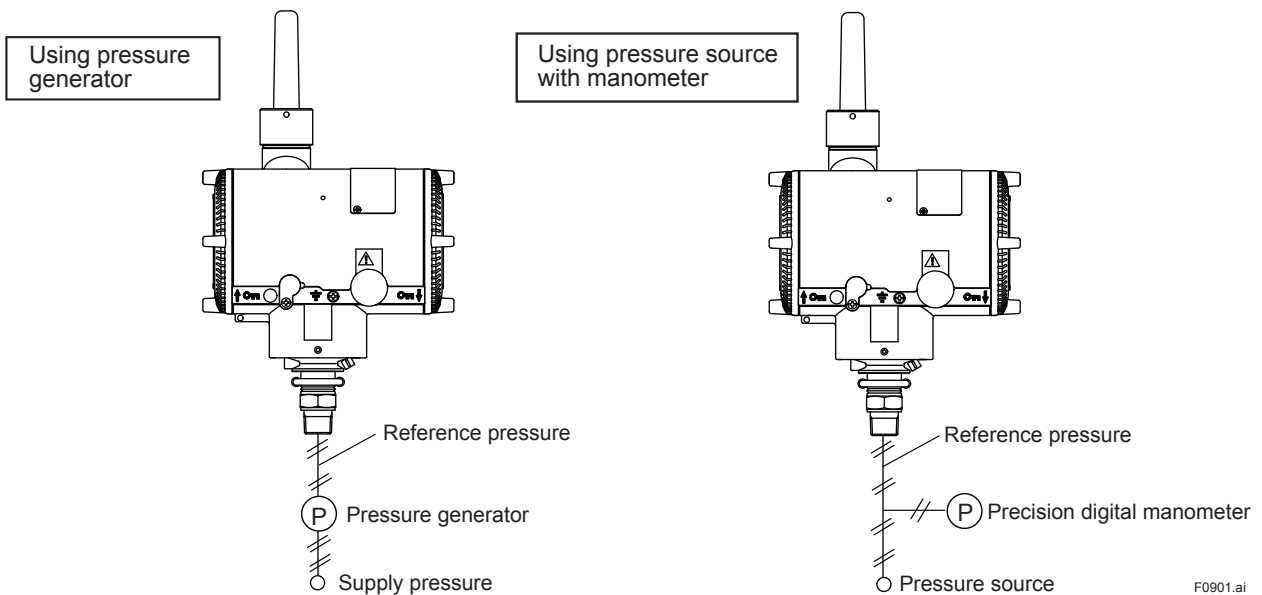


Figure 9.1 Instrument Connections

## 9.4 Disassembly and Reassembly

### CAUTION

#### Precautions for the intrinsic safety explosion prevention type instrument

Intrinsic safe type transmitters must be, as a rule, removed to a non-hazardous area for maintenance and be disassembled and reassembled to the original state. Check and confirm the insulation when it is reassembled to the original state.

Check and confirm the insulation when it is reassembled to the original state.

Refer to section 2.7 “Insulation Resistance and Dielectric Strength Test” for details of Resistance Test.

### IMPORTANT

- Perform the provisioning when replacing the RF assembly. Refer to 7.4 Connecting to the Field Wireless Network for details.
- Replace the batteries and perform the parameter settings when replacing the CPU assembly. Refer to 9.4.6 Replacing the Batteries.

This section describes procedures for disassembly and reassembly for maintenance and component replacement.

### CAUTION

Always remove Battery pack and shut off pressures before disassembly and assembly.  
Use proper tools for all operations.

Table 9.2 shows the tools required.

Table 9.2 Tools for Disassembly and Reassembly

Tool	Quantity	Remarks
Phillips screwdriver	1	JIS B4633, No. 2
Slotted screwdriver	1	
Allen wrenches	3	JIS B4648 One each, nominal 3, 4 and 2.5 mm Allen wrenches
Wrench	1	Width across flats, 17 mm
Torque wrench	1	
Adjustable wrench	1	
Socket wrench	1	Width across flats, 16 mm
Socket driver	1	Width across flats, 5.5 mm
Tweezers	1	

### 9.4.1 Replacing the Integral Indicator

This subsection describes the procedure for replacing an integral indicator. (See figure 9.2)

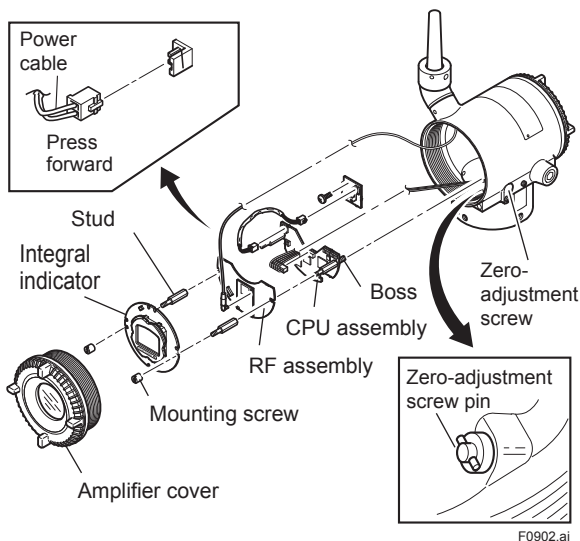
#### ■ Removing the Integral Indicator

- 1) Remove the cover.
- 2) While supporting the integral indicator with one hand, loosen its two mounting screws.
- 3) Dismount the integral indicator from the RF assembly.

When doing this, carefully pull the integral indicator straight forward so as not to damage the connector pins between it and the RF assembly.

#### ■ Attaching the Integral Indicator

- 1) Align both the integral indicator and RF assembly connectors and engage them.
- 2) Insert and tighten the two mounting screws.
- 3) Replace the cover.



**Figure 9.2** Removing and Attaching Integral indicator, RF assembly and CPU Assembly

### 9.4.2 Replacing the RF Assembly

This subsection describes how to replace the RF assembly (see Figure 9.2).

#### ■ Removing the RF assembly

- 1) Remove the cover.
- 2) Remove the integral indicator (refer to subsection 9.4.1).
- 3) Remove the two stud bolts by using a socket driver (width across flats: 5.5 mm).
- 4) Disconnect the RF assembly from the CPU assembly. When doing this, carefully pull the RF assembly straight forward so as not to damage the connector pins between it and the CPU assembly.
- 5) Disconnect the antenna cable that connects the RF assembly and the antenna.



#### NOTE

Be careful not to apply excessive force to the RF assembly and the connector of the antenna cable when removing it.

#### ■ Mounting the RF assembly

- 1) Connect the antenna cable between the RF assembly and the antenna.
- 2) Align both the RF assembly and CPU assembly connectors and engage them.
- 3) Tighten the two stud bolts.
- 4) Mount the integral indicator (refer to subsection 9.4.1).
- 5) Replace the cover.

### 9.4.3 Replacing the CPU Assembly

This subsection describes how to replace the CPU assembly (see Figure 9.2).

#### ■ Removing the CPU assembly

- 1) Remove the cover.  
Remove the integral indicator and the RF assembly (refer to subsections 9.4.1 and 9.4.2).
- 2) Turn the zero-adjustment screw to the position as shown in Figure 9.2.
- 3) Disconnect the power cable (cable with brown connector at the end).  
When doing this, lightly press the side of the CPU assembly connector and pull the cable connector to disengage (see the upper left of Figure 9.2).

- 4) Use a socket driver (width across flats, 5.5 mm) to loosen the two bosses.
- 5) Carefully pull the CPU assembly straight forward to remove it.
- 6) Disconnect the flat cable (cable with white connector at the end) that connects the CPU assembly and the capsule.



**NOTE**

Be careful not to apply excessive force to the CPU assembly when removing it.

■ **Mounting the CPU assembly**

- 1) Connect the flat cable (with white connector) between the CPU assembly and the capsule.
- 2) Connect the power cable (with brown connector) to the CPU assembly.



**NOTE**

Make certain that the cables do not get pinched between the case and the edge of the CPU assembly.

- 3) Align and engage the zero-adjustment screw pin with the groove on the bracket on the CPU assembly. Then insert the CPU assembly straight onto the post in the amplifier case.
- 4) Tighten the two bosses. Mount the RF assembly, and the integral indicator (refer to subsections 9.4.1 and 9.4.2).



**IMPORTANT**

Confirm that the zero-adjustment screw pin is placed properly in the groove on the bracket prior to tightening the two bosses. If it is not, the zero-adjustment mechanism will be damaged.

- 5) Replace the cover.

**9.4.4 Cleaning and Replacing the Capsule Assembly**



**CAUTION**

**Precautions for the intrinsic safety explosion prevention type instrument**

Modification is not permitted by the user for intrinsic safety explosion prevention type transmitter. Consult our company when you want to exchange capsule assembly. Execute it only at time when the following points were confirmed for exchange capsule assembly in the same range of measurement.

- Exchanged capsule assembly uses the one of the same specification.
- Tighten Setscrew to fix the transmitter section and the pressure detector section surely after ending maintenance.

This subsection describes the procedures for cleaning and replacing the capsule assembly. (See figure 9.3.)

■ **Removing the Capsule Assembly**



**IMPORTANT**

Exercise care as follows when cleaning the capsule assembly.

- Handle the capsule assembly with care, and be especially careful not to damage or distort the diaphragms that contact the process fluid.
- Do not use a chlorinated or acidic solution for cleaning.
- Rinse with clean water after cleaning, please dry until completely dry.

- 1) Remove the CPU assembly as shown in subsection 9.4.3.
- 2) Remove the five setscrews, the stopper bolt, and the stopper that connect the transmitter section and pressure-detector section.
- 3) Remove the hexagon-head screw and the stopper.
- 4) Separate the transmitter section and pressure-detector section.
- 5) Clean the capsule assembly or replace with a new one.



■ Reassembling the Capsule Assembly

- 1) Reattach the transmitter section to the pressure-detector section.  
Reattach the stopper with the hexagon-head screw.
- 2) Tighten the five setscrews. (Tighten the screws to a torque of 1.5 N·m)
- 3) Install the CPU assembly according to subsection 9.4.3.
- 4) After completing reassembly, adjust the zero point and recheck the parameters.

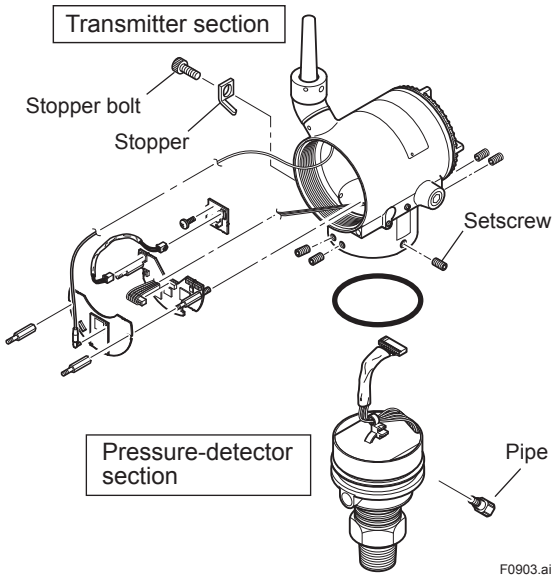


Figure 9.3 Removing and Mounting the Pressure-detector Section

9.4.5 Replacing the Battery Pack

Regarding the transmitter with intrinsically safe approval, the battery pack can be replaced without removing the device in hazardous area.

■ Preparation

Initialize the remaining battery life by using the parameter of Reset Energy Left in UAPMO block. When the battery power is burned and emptied, initialize the remaining battery after prompt replacement of the battery pack.

■ Removing

- 1) Remove the terminal box cover.
- 2) Loosen the two battery pack mounting screws (see Figure 9.5).
- 3) Pull out the Battery pack.

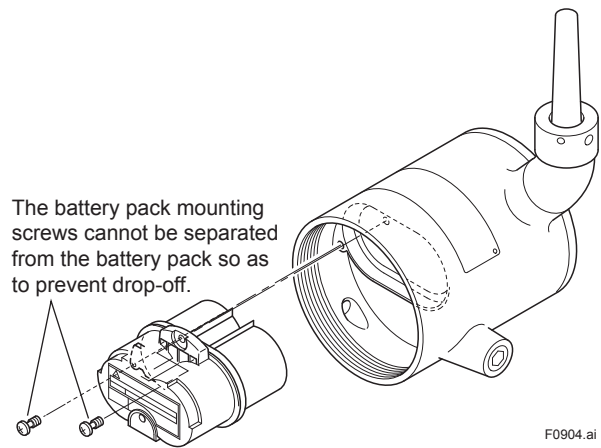


Figure 9.4 Removing the Battery Pack

■ Remounting

- 1) Insert the new battery pack lightly.
- 2) Push the center of the battery pack and insert it securely.
- 3) Tighten the two battery pack mounting screws to a torque of approximately 0.7 N·m.
- 4) Replace the terminal box cover.

9.4.6 Replacing the Batteries

The batteries in the battery pack can be replaced. Batteries are not installed when shipped from the factory. Assemble the battery pack as follows.



**WARNING**

---

Be sure to replace the batteries or disassemble and assemble the battery pack in a safe location. Doing so in an explosive area could cause an explosion.

---



**CAUTION**

---

When replacing the batteries, be sure to replace the two batteries at the same time and do not use an old and a new battery together.

---

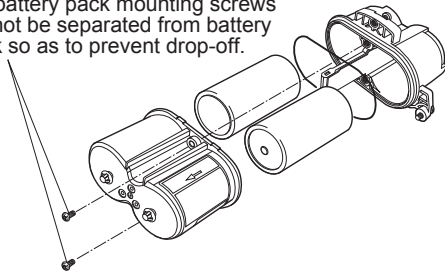
■ Disassembling

- 1) Loosen the two battery case mounting screws (Figure 9.5).
- 2) Separate the battery case into two parts.
- 3) Remove the old batteries.

■ **Assembling**

- 1) Insert new batteries into the battery case. Be careful of the orientation of the batteries.
- 2) Attach the two parts of the battery case to each other.
- 3) Tighten the two battery case mounting screws to a torque of approximately 0.7 N·m.

The battery pack mounting screws cannot be separated from battery pack so as to prevent drop-off.



F0905.ai

**Figure 9.5 Removing the Battery Pack**

**9.4.7 Handling Batteries**

This battery pack uses two primary lithium/thionyl chloride batteries. Each battery contains approximately 5 grams of lithium, for a total of 10 grams in each pack. Under normal conditions, the battery materials are self-contained and are not reactive as long as the batteries and the pack integrity are maintained. Care should be taken to prevent thermal, electrical or mechanical damage. Protect the electrode of the battery pack to avoid rapid electrical discharge. Discharged a battery may lead to fluid leakage and excessive heat. Batteries should be stored in a clean and dry area. For maximum battery life, storage temperature should not exceed 30°C.

 **WARNING**

**Handling the battery pack**

The following precautions must be observed in order to safely and effectively use a battery pack. Improper use may lead to fluid leakage, excessive heat, ignition, or explosion.

- Never charge it.
- Do not short-circuit it.
- Do not disassemble, transform, or modify it.
- Do not heat it or throw it into a fire.
- Do not soak it in fresh water or seawater.

 **CAUTION**

Observe the following precautions for the safe disposal of batteries.

- Do not incinerate the battery, and do not expose it to a high temperature of 100°C or more. This may lead to fluid leakage or explosion.
- Dispose of the battery according to laws and regulations.

Use the following dedicated parts for the battery pack and batteries.

- **Battery Pack**  
Part number: F9915NQ (with batteries)  
Part number: F9915NK (without batteries)
- **Batteries**  
Part number: F9915NR  
Alternatively, Tadiran TL-5930/S batteries may be purchased and used.
- **Transportation of products containing lithium batteries:**

Batteries used for this transmitter contain lithium. Primary lithium batteries are regulated in transportation by the U.S. Department of Transportation, and are also covered by the International Air Transport Association (IATA), the International Civil Aviation Organization (ICAO), and the European Ground Transportation of Dangerous Goods (ARD). It is the responsibility of the shipper to ensure compliance with these or any other local requirements. Consult current regulations and requirements before shipping. When transporting this transmitter with the battery pack inserted, keep it in deep sleep mode in order to conserve battery power. For details on how to switch to deep sleep mode, refer to subsection 8.3.12 “Switching to Deep Sleep Mode.”

■ **How to replace and dispose of the batteries:**

This is an explanation about the new EU Battery Directive (DIRECTIVE 2006/66/EC). This directive is only valid in the EU. Batteries are used for this product. When you remove batteries from this product and dispose them, discard them in accordance with domestic law concerning disposal. Take a right action on waste batteries because the collection system in the EU on waste batteries are regulated. Battery type: Primary lithium-thionyl chloride battery



**CAUTION**

The symbol (see above), which is marked on the batteries, means they shall be sorted out and collected as ordained in ANNEX II in DIRECTIVE 2006/66/EC.

■ **Procedure to remove the batteries safely:**

Refer to subsection 9.4.5 “Replacing the Battery Pack” and subsection 9.4.6 “Replacing the Batteries.”

**9.5 Troubleshooting**

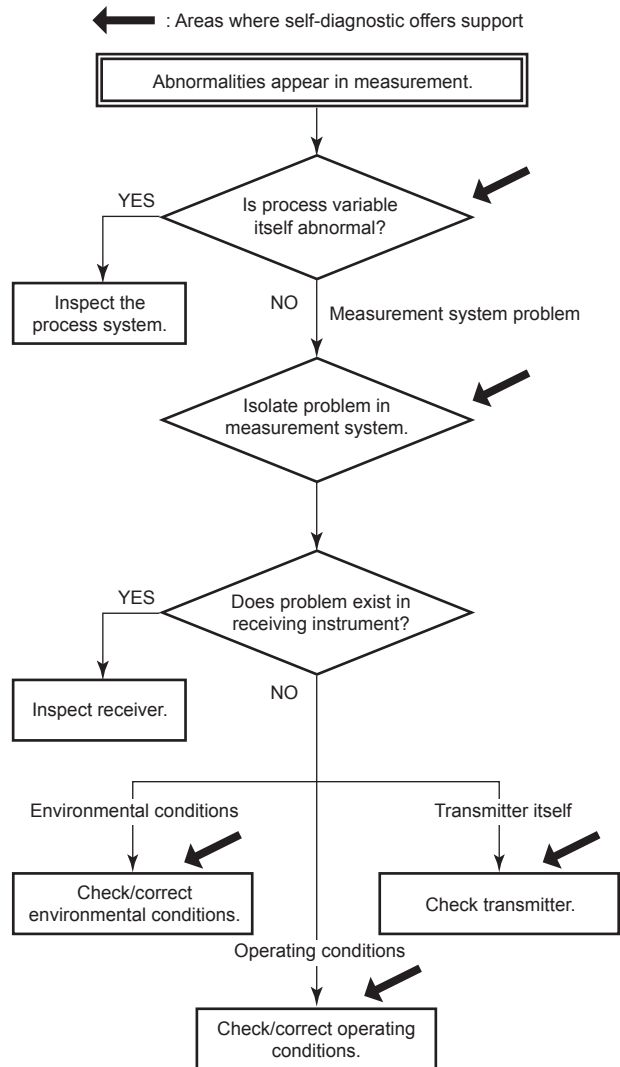
If any abnormality appears in the measured values, use the troubleshooting flow chart below to isolate and remedy the problem. Since some problems have complex causes, these flow charts may not identify all. If you have difficulty isolating or correcting a problem, contact Yokogawa service personnel.

**9.5.1 Basic Troubleshooting**

First determine whether the process variable is actually abnormal or a problem exists in the measurement system.

If the problem is in the measurement system, isolate the problem and decide what corrective action to take.

This transmitter is equipped with a self-diagnostic function which will be useful in troubleshooting, and the transmitter equipped with an integral indicator will show an alarm code as a result of self-diagnosis. See subsection 9.5.3 for the list of alarms.



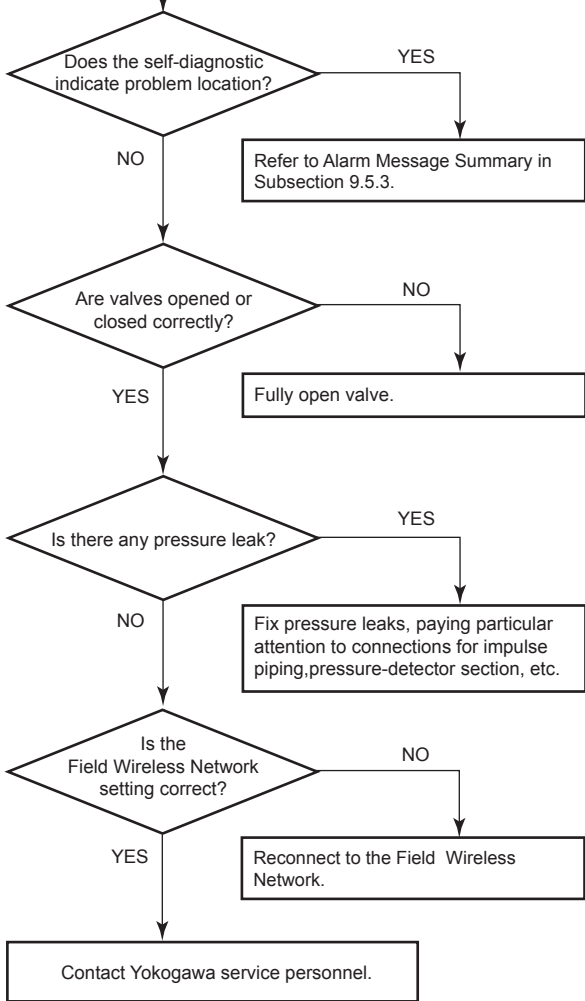
F0906.ai

Figure 9.6 Basic Flow and Self-Diagnostics

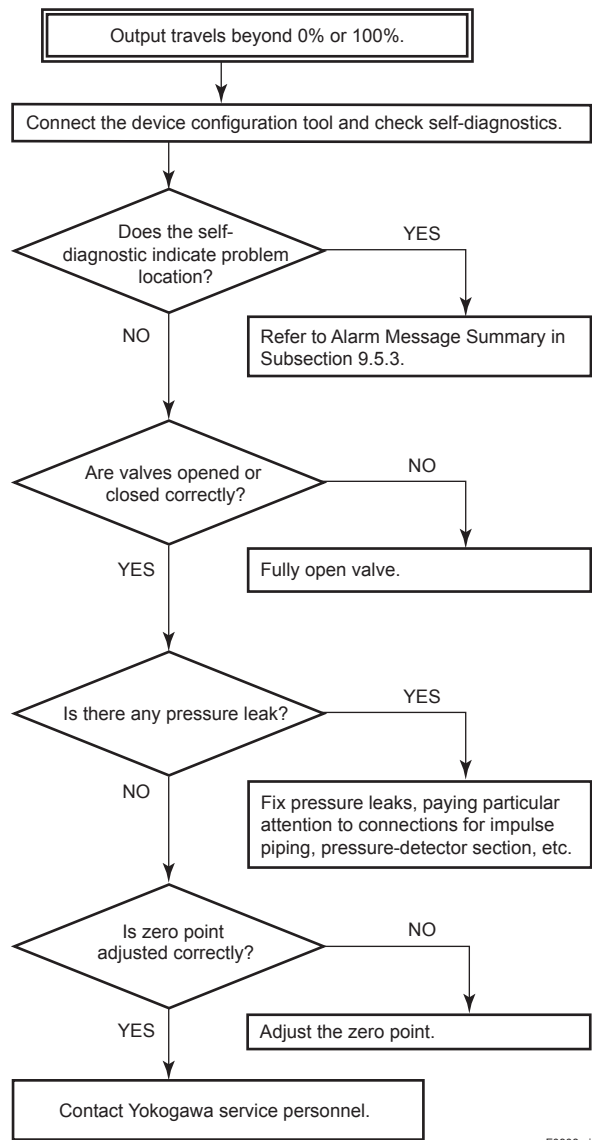
### 9.5.2 Troubleshooting Flowcharts

The following sorts of symptoms indicate that transmitter may not be operating properly.  
 Example : • There is no output signal.  
 • Output signal does not change even though process variable is known to be varying.  
 • Output value is inconsistent with value inferred for process variable.

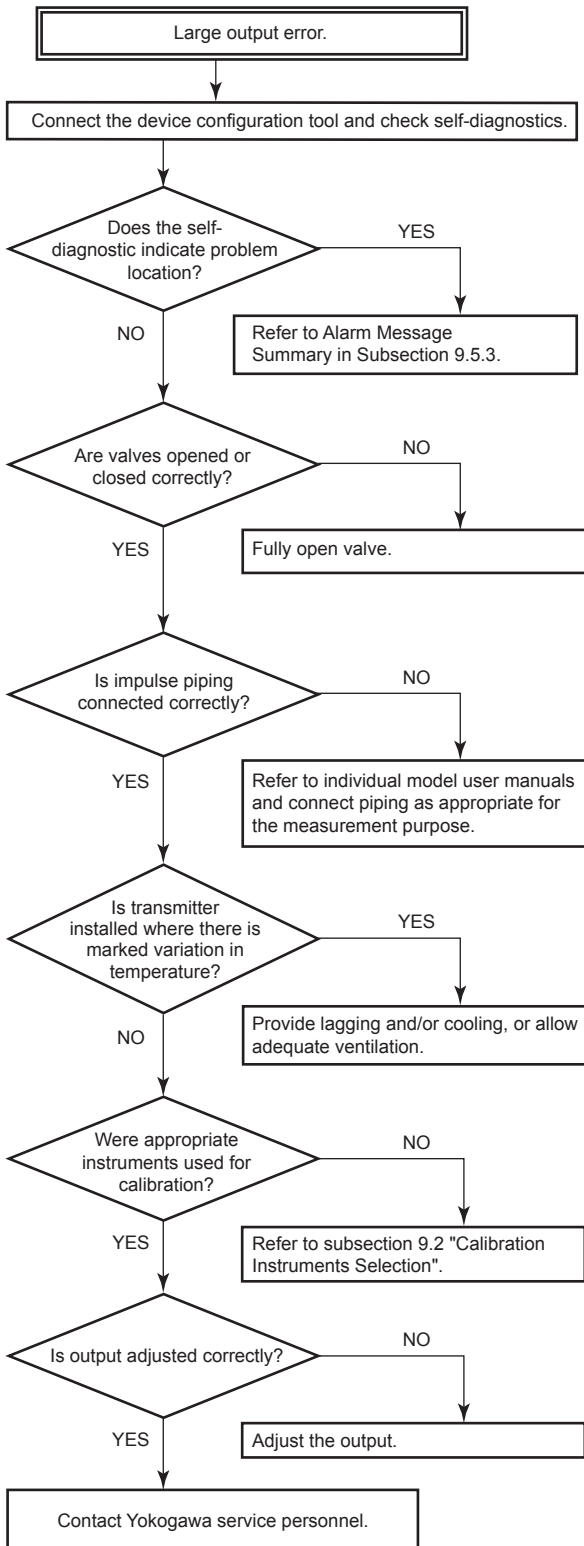
Check display of the error code.  
 Check self-diagnostics by the device configuration tool.



F0907.ai



F0908.ai



F0909.ai

9.5.3 Errors and Countermeasures

Various diagnostics of the AI2 object and the static pressure is not supported in this instrument.

Table 9.3 Error Message Summary (Causes and Actions)

Integral indicator	Factory NAMUR category	Bit	Diagnostic Status	Diagnostic Status Detail	Cause	Release/recovery conditions (except restart)	Action
AL. 01 CAP. ERR *2	F	Bit 26	Faults in sensor or actuator element	FC_SENSOR_FAIL	Pressure sensor failure	Recovers only when AUTO RECOVER is ON and within the range	Replace the capsule.
				FR_SENSOR_FAIL			
				FC_UNOSC_FAIL			
				FR_UNOSC_FAIL	Capsule temperature sensor failure	Recovers only when AUTO RECOVER is ON and oscillation does not stop	
				CAP_T_SENSOR_FAIL			
				CAP_EEPROM_FAIL	Capsule EEPROM memory failure	Recovers when returns to normal.	
				CAP_EEP_IRREGULAR		None	
AL. 02 AMP. ERR *2	F	Bit 27	Faults in electronics	AMP_T_SENSOR_FAIL *3	Amplifier temperature sensor failure	None	Replace the amplifier.
				AMP_EEPROM_FAIL	Amplifier EEPROM failure	Recovers when returns to normal.	
				AMP_EEP_IRREGULAR		None	
				FC_DELTA_T_FAIL	Amplifier failure	None	
				FR_DELTA_T_FAIL			
				G_A_COMM_FAIL			
				WL_AD_FAIL			
AL. 10 PRESS	O	Bit 23	Outside sensor limits	DP_OUTSIDE_LIMIT	Pressure outside of specified range	Recovers when input pressure returns within the range.	Check the input pressure.
AL. 11 ST. PRSS				SP_OUTSIDE_LIMIT	Static pressure outside of specified range	Recovers when static pressure returns within the range.	Check the input pressure.
AL. 12 CAP. TMP				CAPT_OUTSIDE_LMIT	Capsule temperature outside of range (-50 to 130°C)	Recovers when temperature returns within the range.	Retain heat or insulate so that temperature returns within the specified range.
AL. 13 AMP. TMP				AMPT_OUTSIDE_LIMIT	Amplifier temperature outside of range (-50 to 95°C)	Recovers when temperature returns within the range.	Retain heat or insulate so that temperature returns within the specified range.

Integral indicator	Factory NAMUR category	Bit	Diagnostic Status	Diagnostic Status Detail	Cause	Release/recovery conditions (except restart)	Action
AL.53 P.ADJ	C	Bit 25	Installation, calibration problem	DP_TRIM_SPAN_OUTSIDE	Pressure span adjustment variable outside of range	Recovers when span adjustment variable/point returns within the range.	Check the span adjustment variable for the Pressure.
AL.53 P.ADJ				DP_TRIM_ZERO_OUTSIDE	Pressure zero adjustment variable outside of range	Recovers when zero adjustment variable/point returns within the range.	Check the zero adjustment variable for the Pressure.
AL. 55 SP.ADJ	C	Bit 25	Installation, calibration problem	SP_TRIM_SPAN_OUTSIDE	Static pressure span adjustment variable outside of range	Recovers when span adjustment variable /point returns within the range.	Check the static pressure span adjustment variable.
AL. 55 SP.ADJ				SP_TRIM_ZERO_OUTSIDE	Static pressure zero adjustment variable outside of range	Recovers when zero adjustment variable/point returns within the range.	Check the static pressure zero adjustment variable.
AL. 79 OV. DISP				LCD_OUTSIDE_LIMIT	LCD display outside of specified range	Recovers when display value returns within the range.	Check the display setting.
AL. 30 RANGE	O	Bit 22	Environmental conditions out of device specification	DP_OUTSIDE_RANGE	Input pressure setting outside of range	Recovers when setting returns within the range.	Check the input pressure setting.
AL. 31 SP. RNG				SP_OUTSIDE_RANGE	Static pressure setting outside of range	Recovers when setting returns within the range.	Check the static pressure setting.
AL. 70 LOWBAT	M	Bit 20	Power is critical low: maintenance need short - term	WL_DEEPSLP_ALM*3	Low remaining battery voltage results in switching to deep sleep.	None	Replace the batteries.
					CRITICAL_LOWBAT*4		
AL. 70 LOWBAT		Bit 19	Power is low: maintenance need mid - term	WL_LOWBAT_ALM	Low remaining battery voltage	None	Replace the batteries.
AL. 60 AI OOS	C	Bit 24	O/S	AI1_OUT_OF_SERVICE	AI1 block is O/S mode.	Returns when the mode target of AI1 block is other than O/S.	Set the mode target to AUTO.
AL. 61 AI OOS				AI2_OUT_OF_SERVICE	AI2 block is O/S mode.	Returns when the mode target of AI2 block is other than O/S.	Set the mode target to AUTO.
AL. 62 AI OOS				AI3_OUT_OF_SERVICE	AI3 block is O/S mode.	Returns when the mode target of AI3 block is other than O/S.	Set the mode target to AUTO.



Integral indicator	Factory NAMUR category	Bit	Diagnostic Status	Diagnostic Status Detail	Cause	Release/recovery conditions (except restart)	Action
AL. 63 AI SIM	C	Bit 17	Simulation is active	SimulationActive (AI1)	AI1 block is simulate mode.	Returns when the simulate mode of AI1 block is set to disable. 1 (Disable)	Check the simulate mode of AI1 block.
AL. 64 AI SIM				SimulationActive (AI2)	AI2 block is simulate mode.	Returns when the simulate mode of AI2 block is set to disable. 1 (Disable)	Check the simulate mode of AI2 block.
AL. 65 AI SIM	C	Bit 17	Simulation is active	SimulationActive (AI3)	AI3 block is simulate mode.	Returns when the simulate mode of AI3 block is set to disable. 1 (Disable)	Check the simulate mode of AI3 block.

\*1: "Factory NAMUR category" refers to the four categories (C: Check function, M: Maintenance required, F: Failure, and O: Off specification) according to NAMUR NE107\*.

\* NAMUR NE107 "Self-Monitoring and Diagnosis of Field Devices"

\*2: When the device detects "AL01 CAP.ERR" and "AL02 AMP.ERR", the LCD display stays on regardless of the status in LCD mode.

\*3: Applicable for Integral antenna type (Amplifier housing code: 7).

\*4: Applicable for Detachable antenna type (Amplifier housing code: 8 or 9).

Table 9.4 Error Message Summary (Output Actions)

Integral Indicator	Factory NAMUR category	Bit	Diagnostic Status	Diagnostic Status Detail	Output actions			
					Pressure	Static Pressure	Capsule Temp Value	Amp Temp Value
AL. 01 CAP.ERR <sup>*2</sup>	F	Bit 26	Faults in sensor or actuator element	FC_SENSOR_FAIL	Output value (hold value) Output status (BAD: Sensor Failure)	Output value (hold value) Output status (BAD: Sensor Failure)	Normal action	
				FR_SENSOR_FAIL				
				FC_UNOSC_FAIL				
				FR_UNOSC_FAIL				
				CAP_T_SENSOR_FAIL	Normal action	Normal action	Output value (calculated in a normal way) Output status (BAD: Sensor Failure)	Normal action
				CAP_EEPROM_FAIL	Output value (hold value) Output status (BAD: Device Failure)	Output value (hold value) Output status (BAD: Device Failure)	Output value (calculated in a normal way) Output status (BAD: Device Failure)	Output value (calculated in a normal way) Output status (BAD: Device Failure)
				CAP_EEP_IRREGULAR				
AL. 02 AMP.ERR <sup>*2</sup>	F	Bit 27	Faults in electronics	AMP_T_SENSOR_FAIL <sup>*3</sup>	Normal action	Normal action	Normal action	Output value (calculated in a normal way) Output status (BAD: Sensor Failure)
				AMP_EEPROM_FAIL	Output value (hold value) Output status (BAD: Device Failure)	Output value (hold value) Output status (BAD: Device Failure)	Output value (calculated in a normal way) Output status (BAD: Device Failure)	Output value <sup>*4</sup> (hold value) Output status (BAD: Device Failure)
				AMP_EEP_IRREGULAR				
				FC_DELTA_T_FAIL	Output value (hold value) output status (BAD: Device Failure)	Output value (hold value) Output status (BAD: Device Failure)	Normal action	Output value <sup>*4</sup> (hold value) output status (BAD: Device Failure)
				FR_DELTA_T_FAIL				
				G_A_COMM_FAIL	Output value (calculated in a normal way) Output status (BAD: Device Failure)		Output value (calculated in a normal way) Output status (BAD: Device Failure)	Output value (calculated in a normal way) Output status (BAD: Device Failure)
				WL_AD_FAIL				

Integral Indicator	Factory NAMUR category	Bit	Diagnostic Status	Diagnostic Status Detail	Output actions				
					Pressure	Static Pressure	Capsule Temp Value	Amp Temp Value	
AL. 10 PRESS	O	Bit 23	Outside sensor limits	DP_OUTSIDE_LIMIT	Output value (calculated in a normal way) Output status (UNCERTAIN: Sensor Conversion not Accurate)	Output value (calculated in a normal way) Output status (UNCERTAIN: Non Specific)	Normal action	Normal action	
AL. 11 ST. PRSS				SP_OUTSIDE_LIMIT	Output value (calculated in a normal way) Output status (UNCERTAIN: Non Specific)	Output value (calculated in a normal way) Output status (UNCERTAIN: Sensor Conversion not Accurate)			Normal action
AL. 12 CAP. TMP				CAPT_OUTSIDE_LIMIT	Output value (calculated in a normal way) Output status (UNCERTAIN: Non Specific)	Output value (calculated in a normal way) Output status (UNCERTAIN: Non Specific)	Output value (calculated in a normal way) Output status (UNCERTAIN: Sensor Conversion not Accurate)	Normal action	
AL. 13 AMP. TMP				AMPT_OUTSIDE_LIMIT	Normal action	Normal action	Normal action		Output value (calculated in a normal way) Output status (UNCERTAIN: Sensor Conversion not Accurate)
AL. 53 P. ADJ	C	Bit 25	Installation, calibration problem	DP_TRIM_SPAN_OUTSIDE	Output value (calculated in a normal way) Output status (UNCERTAIN: Range Limits Exceeded)	Normal action	Normal action	Normal action	
AL. 53 P. ADJ				DP_TRIM_ZERO_OUTSIDE	Output value (calculated in a normal way) Output status (UNCERTAIN: Range Limits Exceeded)	Normal action	Normal action	Normal action	
AL. 55 SP. ADJ				SP_TRIM_SPAN_OUTSIDE	Normal action	Output value (calculated in a normal way) Output status (UNCERTAIN: Range Limits Exceeded)	Normal action	Normal action	
AL. 55 SP. ADJ				SP_TRIM_ZERO_OUTSIDE	Normal action	Output value (calculated in a normal way) Output status (UNCERTAIN: Range Limits Exceeded)	Normal action	Normal action	
AL. 79 OV. DISP				LCD_OUTSIDE_LIMIT	Normal action	Normal action	Normal action	Normal action	

Integral Indicator	Factory NAMUR category	Bit	Diagnostic Status	Diagnostic Status Detail	Output actions			
					Pressure	Static Pressure	Capsule Temp Value	Amp Temp Value
AL. 30 RANGE	O	Bit 22	Environmental conditions out of device specification	DP_OUTSIDE_RANGE	Normal action	Normal action	Normal action	Normal action
AL. 31 SP. RNG				SP_OUTSIDE_RANGE	Normal action	Normal action	Normal action	Normal action
AL. 70*6 LOWBAT	M	Bit 20	Power is critical low: maintenance need short - term	WL_DEEPSLP_ALM*3	Normal action	Normal action	Normal action	Normal action
				CRITICAL_LOWBAT*4				
AL. 70*6 LOWBAT		Bit 19	Power is low: maintenance need mid - term	WL_LOWBAT_ALM	Normal action	Normal action	Normal action	Normal action
AL. 60 AI OOS	C	Bit 24	O/S	AI1_OUT_OF_SERVICE	Output value (hold value) Output status (BAD: Out of Service)	Normal action	Normal action	Normal action
AL. 61 AI OOS				AI2_OUT_OF_SERVICE	Output value (hold value) Output status (BAD: Out of Service)			
AL. 62 AI OOS				AI3_OUT_OF_SERVICE	Output value (hold value) Output status (BAD: Out of Service)			
AL. 63 AI SIM	C	Bit 17	Simulation is active	SimulationActive (AI1)	Normal action	Normal action	Normal action	Normal action
AL. 64 AI SIM				SimulationActive (AI2)	Normal action	Normal action	Normal action	Normal action
AL. 65 AI SIM				SimulationActive (AI3)	Normal action	Normal action	Normal action	Normal action

\*1: "Factory NAMUR category" refers to the four categories (C: Check function, M: Maintenance required, F: Failure, and O: Off \*1: "Factory NAMUR category" refers to the four categories (C: Check function, M: Maintenance required, F: Failure, and O: Off specification) according to NAMUR NE107\*.

\* NAMUR NE107 "Self-Monitoring and Diagnosis of Field Devices"

\*2: When the device detects "AL01 CAP.ERR" and "AL02 AMP.ERR", the LCD display stays on regardless of the status in LCD mode.

\*3: Applicable for Integral antenna type (Amplifier housing code: 7).

\*4: Amplifier temperature value is calculated in a normal way for Detachable antenna type (Amplifier housing code: 8 or 9).

\*5: Applicable for Detachable antenna type (Amplifier housing code: 8 or 9).

\*6: When the ambient temperature is higher than 60°C, AL.70 may be generated despite the indication of Energy Left shows sufficiently remained. However, it does not affect the device operation. This is caused by the change of battery inner status with extremely low power consumption under high temperature environment. It is recommended to set the data updating period to 15 seconds or shorter.

# 10. Parameter Summary

The setting of differential pressure (AI2 block) is invalid in this instrument. The output value of AI2 object and the output status are “0.0”(zero) and “Uncertain” respectively.

Various diagnostics of the AI2 object and the static pressure is not supported in this instrument.

**Table 10.1 Parameter**

Object ID	Attribute ID	Label	Description	Default value	Handling																					
1. UAPMO block	1	Version Revision	Indicates the application revision of EJX This revision when the application software is downloaded.	---	R																					
	10	Static Revision	Indicates the revision level of the fixed parameters of UAP Used, for example, to check whether parameters have been change.	0	R																					
	64	Identification Number	Indicates the vender ID, model ID, and revision of the device.	---	R																					
	65	CTS Version	Indicates the version of the communication stack test system (CTS).	0	R																					
	66	ITS Version	Indicates the version of the inter operability test system (ITS).	0	R																					
	67	Diagnostic Status	Indicates the diagnostic results of the device based on the NAMUR NE107*1 model. Setting Enable diagnostic status configuration in UAP Option to Enable allows turning OFF and ON the display of the diagnostic results for each summary, and changing Categorize For Categorize at the time of shipment, refer to tables 8.3 and 10.2.	---	R																					
	68	UAP Option	Allows setting the Diagnostic Status and write protection of UAP. Software write protect 1: On, 0: Off Enable hardware write protect 1: Enable, 0: Disable (default) Enable diagnostic status configuration 1: Enable, 0: Disable (default) The following table shows the relationship between the hardware write protection and software write protection.	0	W																					
				<table border="1"> <thead> <tr> <th>Enable hardware write protect</th> <th>Hardware write protect</th> <th>Software write protect</th> <th>Write protect</th> </tr> </thead> <tbody> <tr> <td>Disable</td> <td>Off or On</td> <td>Off</td> <td>No (Writable)</td> </tr> <tr> <td>Disable</td> <td>Off or On</td> <td>On</td> <td>Yes (Unwritable)</td> </tr> <tr> <td>Enable</td> <td>Off</td> <td>Off or On</td> <td>No (Writable)</td> </tr> <tr> <td>Enable</td> <td>On</td> <td>Off or On</td> <td>Yes (Unwritable)</td> </tr> </tbody> </table>	Enable hardware write protect	Hardware write protect	Software write protect	Write protect	Disable	Off or On	Off	No (Writable)	Disable	Off or On	On	Yes (Unwritable)	Enable	Off	Off or On	No (Writable)	Enable	On	Off or On	Yes (Unwritable)		
	Enable hardware write protect	Hardware write protect	Software write protect	Write protect																						
Disable	Off or On	Off	No (Writable)																							
Disable	Off or On	On	Yes (Unwritable)																							
Enable	Off	Off or On	No (Writable)																							
Enable	On	Off or On	Yes (Unwritable)																							
69	Diagnostic Switch	Allows setting On/Off for each summary of Diagnostic Status when Enable diagnostic status configuration in UAP Option is set to Enable.	On	W																						
70	Diagnostic Configuration	Allows Categorize for each summary of Diagnostic Status when Enable diagnostic status configuration in UAP Option is set to Enable.	Refer to Table 10.2.	W																						
102	Diagnostic Status Detail[2]	Detailed information on Diagnostic Status. For Categorize at the time of shipment, refer to Table 10.2.	Refer to Table 10.2.	R																						
103	Energy Left	Indicates the number of days of remaining battery life assuming ambient temperature condition as 23 degrees Celsius. The unit is day.	---	R																						

Object ID	Attribute ID	Label	Description	Default value	Handling
1. UAPMO block (continued)	104	Reset Energy Left	Initialize the remaining battery life (Energy Left) and reset it as new batteries. Perform the battery replacement. 0 = Continue (Cancel) 1 = Reset (Initialization)	0 (reading value is always 0)	W
	105	Power Supply Status	Indicates the predicted battery level and the power supply method. 0 = external power supply 1 = battery level 75% or more 2 = battery level 25% ~ 75% 3 = battery level 25% or less		R
	106	EHType*2	Available to write note into this parameter.	---	W
	107	Power Supply Voltage*2	Indicates the measured power supply voltage (V).	---	R
	110	Hardware Write Protect	Allows recognizing the status of the hardware write protection switch. (Switch Off, Switch On)		R
	111	Radio Silence	Repeats a cycle of a 1-hour pause and 6-minute search if the instrument cannot join the network after a time specified in Radio Silence has elapsed. When 0 is set, the Radio Silence is invalid.	28800	W
	112	Simulation Active Alert*2	The On/Off or priority for Simulation Active Alert can be set. 1. On/Off setting 0 = FALSE, 255 = TRUE 2. Alert report priority: 0 to 15	1. TRUE 2. 15	W
	113	Soft Update incomplete Alert*2	The On/Off or priority for Soft Update incomplete Alert can be set. 1. On/Off setting 0 = FALSE, 255 = TRUE 2. Alert report priority: 0 to 15 Not available for E.JX.	1. TRUE 2. 15	W
	114	Power low Alert*2	The On/Off or priority for Power low Alert can be set. 1. On/Off setting 0 = FALSE, 255 = TRUE 2. Alert report priority: 0 to 15	1. TRUE 2. 15	W
	115	Power Critical low Alert*2	The On/Off or priority for Power Critical low Alert can be set. 1. On/Off setting 0 = FALSE, 255 = TRUE 2. Alert report priority: 0 to 15	1. TRUE 2. 15	W
	116	Fault prediction Alert*2	The On/Off or priority for Fault prediction Alert can be set. 1. On/Off setting 0 = FALSE, 255 = TRUE 2. Alert report priority: 0 to 15 Not available for E.JX.	1. TRUE 2. 15	W
	117	Environmental conditions Alert*2	The On/Off or priority for Environmental conditions Alert can be set. 1. On/Off setting 0 = FALSE, 255 = TRUE 2. Alert report priority: 0 to 15	1. TRUE 2. 15	W
	118	Outside sensor limits Alert*2	The On/Off or priority for Outside sensor limits Alert can be set. 1. On/Off setting 0 = FALSE, 255 = TRUE 2. Alert report priority: 0 to 15	1. TRUE 2. 15	W
119	Out of service Alert*2	The On/Off or priority for Out of service Alert can be set. 1. On/Off setting 0 = FALSE, 255 = TRUE 2. Alert report priority: 0 to 15	1. TRUE 2. 15	W	

Object ID	Attribute ID	Label	Description	Default value	Handling
1. UAPMO block (continued)	120	Callibration problem Alert*2	The On/Off or priority for callibration problem Alert can be set. 1.On/Off setting 0 = FALSE, 255 =TRUE 2.Alert report priority: 0 to 15	1. TRUE 2. 15	W
	121	Faults Sensor or actuator Alert*2	The On/Off or priority for Faults Sensor or actuator Alert can be set. 1.On/Off setting 0 = FALSE, 255 =TRUE 2.Alert report priority: 0 to 15	1. TRUE 2. 15	W
	122	Faults Electronics Alert*2	The On/Off or priority for Faults Electronics Alert can be set. 1.On/Off setting 0 = FALSE, 255 =TRUE 2.Alert report priority: 0 to 1	1. TRUE 2. 15	W
	123	Faults process influence Alert*2	The On/Off or priority for Faults process influence Alert can be set. 1.On/Off setting 0 = FALSE, 255 =TRUE 2.Alert report priority: 0 to 15 Not available for EJX.	1. TRUE 2. 15	W
	124	Faults non-compliance Alert*2	The On/Off or priority for Faults non-compliance Alert can be set. 1.On/Off setting 0 = FALSE, 255 =TRUE 2.Alert report priority: 0 to 15 Not available for EJX.	1. TRUE 2. 15	W
	125	Other faults Alert*2	The On/Off or priority for Other faults Alert can be set. 1.On/Off setting 0 = FALSE, 255 =TRUE 2.Alert report priority: 0 to 15 Not available for EJX.	1. TRUE 2. 15	W
2. UDO block	2	DESCRIPTION	Indicates the version and model information of the downloaded data.	---	R
	3	STATE	Indicates the status of UAP block. 0 Idle 1 Downloading 3 Applying 4 DLComplete 6 DLError	---	R
	5	MAX_BLOCK_SIZE	Maximum block size. This value is smaller than the maximum data size of APDU.	---	R
	14	LAST_BLOCK_DOWNLOADED	Indicates the last downloaded block number. 0 means that no block has been downloaded.	---	R
	16	ERROR_CODE	Indicates the error codes for DLError. 0 = noError 1 = Timeout 2 = ClientAbort 64 = Apply failure	---	R
3. CO block	1	REVISION	Indicates the revision number such as COMM_ENDPOINT, etc.	---	R
	2	COMM_ENDPOINT	Indicates the Endpoint information. The following shows the components. 1.Network address of remote endpoint 2.Transport layer port at remote endpoint 3.Object ID at remote endpoint 4.Stale data limit 5.Data publication period 6.Ideal publication phase 7.PublishAutoRetransmit 8.Configuration status	---	W



Object ID	Attribute ID	Label	Description	Default value	Handling
3. CO block (continued)	3	COMM_CONTRACT	Indicates the Contract information. The following shows the components. 1.ContractID 2.Contract_Status 3.Actual_Phase	---	R
	4	PUB_ITEM_MAX	Maximum PUB_ITEM value	---	R
	5	PUB_ITEM_NUM	PUB_ITEM number	---	R
	6	PUB_ITEM	Indicates the PUB_ITEM information. The following shows the components 1.ObjectID 2.AttributeID 3.AttributeIndex 4.Size	---	W
4. TRANSDUCER block	1	Tag Description	Memo field available to write anything.	Transducer	W
	2	Auto Recovery	Allows specifying the action when the cause of a sensor failure is removed. OFF (=0): AL continues to be indicated even after the cause of the sensor error is removed, and the BURN OUT state is not released. ON (=1): The AL indication for sensor failure disappears and normal action is resumed when the cause of the sensor failure is removed.	ON	W
	3	Model	Indicates the model name of the transmitter.	---	R
	4	Sensor Serial Number	Indicates the device number of the transmitter.	---	R
	5	Measurement Rate*3	Indicates the measurement period of process values.	---	R
	6	Measurement Mode	Measurement mode selects continuous mode or intermittent mode. When the update time is set to 0.5 second*4 in intermittent mode, the mode is automatically switched to continuous mode. When the update time is set to 0.5 second*4, the computation process is in continuous mode, regardless of the measurement mode. When 0 is set, measurement period is set to 30 seconds regardless of measurement setting.	intermittent mode	W
	7	Wireless Status	Indicate the communication status. 1.Indicates the initial idle status or join status. (idle status, join status) 2.Indicates whether Contract(Pub) is established. (not establishment, establishment) 3.Indicates whether Contract(R/W) is established. (not establishment, establishment)	1. idle status 2. not establishment 3. not establishment	R
	8	Display Selection	Select PV Value displaying on the LCD indicator. 1.Indicates display status of PV Value of AI1 (displayed, not displayed) 2.Indicates display status of PV Value of AI2 (displayed, not displayed) 3.Indicates display status of PV Value of AI3 (displayed, not displayed)	1. displayed 2. not displayed 3. not displayed	W
	9	LCD Mode	Select the display mode on the LCD indicator. 1.Indicates the ON mode. (off, intermittent) 2.Indicates whether continuous or not. (continuous off, continuous on)*3 3.Indicates the bar graph display. (bar graph not displayed, bar graph displayed)	1. OFF 2. continuous OFF*3 3. bar graph not displayed	W

Object ID	Attribute ID	Label	Description	Default value	Handling
4. TRANSDUCER block (continued)	10	Special Cmd	Special function parameter. 0 = initialize value at READ (None) 1 = Squawk status 2 = deep sleep status To start from deep sleep mode, either remove and insert the battery pack, or use the provisioning device tool or the device configuration tool via infrared communication.	0	W
	11	Special Order ID	Displays the special order number, if applicable.	---	R
	12	Unit Sel1	Selects whether to automatically apply the unit to the word for the parameter for which the unit display is selected, or apply the characters that are written to Display Unit1. (Auto, Custom)	Auto	W
	13	Display Unit11	When Custom is selected in Unit Sel1, set the display unit using 6 characters or less.	NULL	W
	14	LCD Intermittent Time*2	Set the time to turn off display on the LCD indicator. When 0 is set, it is displayed in continuous mode. Unit: second	60 seconds	W
	15	XD Filter*2	Set the damping time to Transducer value in the AI1 and AI2 blocks. Unit: second When Measurement mode is set to continuous mode, it is valid.	2 seconds	W
	16	Measurement Rate*2	Indicates the cycle to publish the measurement value and status	0	R
5. AI1 block	1	Process Value	AI1 is a pressure output object. Indicates the primary analog value (or corresponding process value) and status used to execute this function. Allows updating data by specifying this for the Concentrator object. 1. Value: output value of AI object 2. Status: Specify output status of AI object.	1. Value = --- 2. Status = ---	W
	2	Block Mode	A universal parameter to indicate the block's operation status. Each O/S, Auto, and Man can select from. 1. Target : Specify AI object mode. 2. Actual : Indicates current mode of AI object. 3. Permitted : Indicates the mode selected by Target of AI object. 4. Normal : Indicate normal status mode of AI object.	1. Target=Auto 2. Actual=Auto 3. Permitted=Auto 4. Normal=Auto	W
	3	Concentrator OID	Indicates the Concentrator object value that corresponds to the data update of the PV value.	3	R
	4	Scale	Allows specifying the upper or lower limit for the PV scaling, unit code, etc. 1. EU at 100% : Indicate the upper limit of the PV value. 2. EU at 0% : Indicate the lower limit of the PV value. 3. Units Index : Indicate the setting unit used for the PV value. 4. Decimal : Indicate the digit number below the decimal point displayed in the LCD indicator.	1. EU at 100% = 100 2. EU at 0% = 0 3. Units Index = % 4. Decimal = 2	W
	26	Tag Description	A universal parameter to store the comment that describes the tag	AI1: Differential Pressure	W
	27	Process Value Filter Time	Allows adjusting the time constant for filtering the PV value. Setting unit: Second. This is enabled for the Continuous mode.*5	0 second	W
	28	Simulate Switch	A simulation function switch for the AI object test (Disable, Enable)	1 (Disable)	W

Object ID	Attribute ID	Label	Description	Default value	Handling
5. AI1 block (continued)	29	Transducer Value	When Simulate Switch is set to Disable, this value is used as the input value for the AI object. Refer to Figure 10.1.	Disable	R
	30	Simulate Value	When Simulate Switch is set to Enable, this value is used as the input value for the AI object. The input value can be changed.	---	W
	51	Upper Limit	Indicates the upper limit (URL) for the pressure.	---	R
	52	Lower Limit	Indicates the lower limit (LRL) for the pressure.	---	R
	53	PV Range	Sets the measurement range. 1. EU at 100% : Indicates input value of the upper limit. 2. EU at 0% : Indicates input value of the lower limit. 3. Units Index : Indicates the units of the measurement range. 4. Decimal : Indicates the digit number below the decimal point.	EU at 100% = 100 EU at 0% = 0 Units Index = kPa (1133) Decimal = 2	W
	54	Linearization Type	Select either No Linearization or Square root as a setting of the output range. 0 = No Linearization : Provides an output value scaled according to the PV Range and Scale range settings. (To use Direct with FF, set the same value for PV Range and Scale.) 10 = Square root : Provides a square root output computed for the value scaled according to the PV Range and Scale range settings.	0	W
	55	Flow Constant	Indicates the flow coefficient, which shows the correlation between the flow rate value and square root value of the differential pressure.	1.0	W
	56	Lower Cutoff	Specifies the low cut value. The unit is subject to Scale.Units Index.	10	W
	57	Cal Cmd	Specifies the calibration method. 0 = CAL_NONE : Initial state in which calibration is not performed 1 = CAL_LOW : Applies an actual input and adjusts the lower limit using the value specified in Calibration Lowest Point. 2 = CAL_HIGH : Applies an actual input and adjusts the higher limit using the value specified in Calibration Highest Point. 5 = CAL_CLEAR : Clears the adjustment variable.	0 (reading value is always 0)	W
	58	Cal Status	Indicates the calibration status. 0 = CAL_NONE : Start-up and default value 1 = CAL_SUCCESS : Indicates that calibration was successful. 7 = CAL_BAD_TRIM_POINT : Indicates this status when the adjustment variable is outside of range.	---	R
	59	Calibration Highest Point	Specifies the higher limit adjustment variable for adjustment between two points.	---	W
	60	Calibration Lowest Point	Specifies the lower limit adjustment variable for the adjustment between two points.	---	W
	61	Calibration Minimum Span	Indicates the minimum span of the adjustment variable.	---	R
104	External Zero Trim	Allows performing external zero adjustment. (Trim on, Trim off)	Trim on	W	
105	Low Cut Mode	Specifies the low cut mode. (Linear, Zero)	Linear	W	

Object ID	Attribute ID	Label	Description	Default value	Handling
5. AI1 block (continued)	106	H/L Swap	Allows performing reverse connection of the impulse line. (NORMAL, REVERSE : reverse connection) Used when the lower pressure side and higher pressure side of the impulse line were connected wrongly when installing the pressure transmitter.	Normal	W
	107	T Zero Cmp	Parameter to select the temperature zero shift compensation mode 0 = OFF : Does not perform temperature zero shift compensation. 1 = ON : Performs temperature zero shift compensation.	Off	w
	108	Temp Zero	Parameter to set the temperature gradient value for the temperature zero shift compensation	0	w
	109	Temp Select	Parameter to select the temperature (amplifier-side / capsule-side) used for the temperature zero shift compensation. 0 = AMP TEMP : the value of the amplifier-side temperature sensor is used. 1 = CAP TEMP : the value of the capsule-side temperature sensor is used.	1	w
6. AI2 block	1	Process Value	AI2 is a static pressure output object. Indicates the primary analog value (or corresponding process value) and status used to execute this function. Allows updating data by specifying this for the Concentrator object. 1. Value: output value of AI object 2. Status: Specify output status of AI object.	---	W
	2	Block Mode	A universal parameter to indicate the block's operation status. O/S, Auto, and Man can be selected. 1. Target : Specify AI object mode. 2. Actual : Indicates current mode of AI object. 3. Permitted : Indicates the mode selected by Target of AI object. 4. Normal : Indicate normal status mode of AI object.	1. Target = O/S 2. Actual = O/S 3. Permitted = O/S 4. Normal = O/S	W
	3	Concentrator OID	Indicates the Concentrator object value that corresponds to the data update of the PV value.	3	R
	4	Scale	Allows specifying the upper or lower limit for the PV scaling, unit code, etc. 1. EU at 100% : Indicate the upper limit of the PV value. 2. EU at 0% : Indicate the lower limit of the PV value. 3. Units Index : Indicate the setting unit used for the PV value. 4. Decimal : Indicate the digit number below the decimal point displayed in the LCD indicator.	1. EU at 100% = 100 2. EU at 0% = 0 3. Units Index = % 4. Decimal = 2	W
	26	Tag Description	A universal parameter to store the comment that describes the tag.	AI2: Static Pressure	W
	27	Process Value Filter Time	Allows adjusting the time constant for filtering the PV value. Setting unit: Second. This is enabled for the Continuous mode.	0 second	W
	28	Simulate Switch	A simulation function switch for the AI object test (Disable, Enable)	Disable	W
	29	Transducer Value	When Simulate Switch is set to Disable, this value is used as the input value for the AI object.	---	R
	30	Simulate Value	When Simulate Switch is set to Enable, this value is used as the input value for the AI object. The input value can be changed.	---	W

Object ID	Attribute ID	Label	Description	Default value	Handling
6. AI2 block (continued)	51	Upper Limit	Indicates the upper limit (URL) for the pressure.	---	R
	52	Lower Limit	Indicates the lower limit (LRL) for the pressure.	---	R
	53	PV Range	Sets the measurement range. 1. EU at 100% : Indicates input value of the upper limit. 2. EU at 0% : Indicates input value of the lower limit. 3. Units Index : Indicates the units of the measurement range. 4. Decimal : Indicates the digit number below the decimal point.	1. EU at 100% = 25000.000000 EU at 0% = 0 Units Index = kPa Decimal = 2	W
	54	Linearization Type	Select either No Linearization or Square root as a setting of the output range. 0 = No Linearization : Provides an output value scaled according to the PV Range and Scale range settings. (To use Direct with FF, set the same value for PV Range and Scale.)	0	W
	55	Flow Constant	Indicates the flow coefficient, which shows the correlation between the flow rate value and square root value of the pressure.	1.0	W
	56	Lower Cutoff	Specifies the low cut value. The unit is subject to Scale.Units Index.	10	W
	57	Cal Cmd	Specifies the calibration method. 0 = CAL_NONE : Initial state in which calibration is not performed 1 = CAL_LOW : Applies an actual input and adjusts the lower limit using the value specified in Calibration Lowest Point. 2 = CAL_HIGH : Applies an actual input and adjusts the higher limit using the value specified in Calibration Highest Point. 5 = CAL_CLEAR : Clears the adjustment variable.	0 (reading value is always 0)	W
	58	Cal Status	Indicates the calibration status. 0 = CAL_NONE : Start-up and default value 1 = CAL_SUCCESS : Indicates that calibration was successful. 7 = CAL_BAD_TRIM_POINT : Indicates this status when the adjustment variable is outside of range.		R
	59	Calibration Highest Point	Specifies the higher limit adjustment variable for adjustment between two points.	---	W
	60	Calibration Lowest Point	Specifies the lower limit adjustment variable for the adjustment between two points.	---	W
	61	Calibration Minimum Span	Indicates the minimum span of the adjustment variable. 108 = Gauge pressure 109 = Absolute pressure	---	R
	102	Static Process Type	Selects the gauge pressure or the absolute pressure.	Abs	W
	103	SP Select	Parameter to select the High-side pressure or the Low-side pressure as the static pressure output. 0 = High : Displays the H-side pressure as the static pressure 1 = Low : Displays the L-side pressure as the static pressure	High	W

Object ID	Attribute ID	Label	Description	Default value	Handling
7. AI3 block	1	Process Value	AI3 is a temperature pressure output object. Indicates the primary analog value (or corresponding process value) and status used to execute this function. Allows updating data by specifying this for the Concentrator object. 1. Value: output value of AI object 2. Status: Specify output status of AI object.	1. Value = --- 2. Status = ---	W
	2	Block Mode	A universal parameter to indicate the block's operation status. O/S, Auto, and Man can be selected. 1. Target : Specify AI object mode. 2. Actual : Indicates current mode of AI object. 3. Permitted : Indicates the mode selected by Target of AI object. 4. Normal : Indicate normal status mode of AI object.	1. Target = Auto 2. Actual = Auto 3. Permitted = O/S+Auto+Man 4. Normal = Auto	W
	3	Concentrator OID	Indicates the Concentrator object value that corresponds to the data update of the PV value.	3	R
	4	Scale	Allows specifying the upper or lower limit for the PV scaling, unit code, etc. 1. EU at 100% : Indicate the upper limit of the PV value. 2. EU at 0% : Indicate the lower limit of the PV value. 3. Units Index : Indicate the setting unit used for the PV value. 4. Decimal : Indicate the digit number below the decimal point displayed in the LCD indicator.	1. EU at 100% = 100 2. EU at 0% = 0 3. Units Index = % 4. Decimal = 2	W
	26	Tag Description	A universal parameter to store the comment that describes the tag	AI3: Capsule temperature	W
	27	Process Value Filter Time	Allows adjusting the time constant for filtering the PV value. Setting unit: Second. This is enabled for the Continuous mode.	0 second	W
	28	Simulate Switch	A simulation function switch for the AI object test (Disable, Enable)	Disable	W
	29	Transducer Value	When Simulate Switch is set to Disable, this value is used as the input value for the AI object.	---	R
	30	Simulate Value	When Simulate Switch is set to Enable, this value is used as the input value for the AI object. The input value can be changed.	---	W
	53	Sensor Range	Parameter to nondimensionalize the sensor output value. K and deg C are selectable for the temperature unit. 1. EU at 100% : Indicates input value of the upper limit. 2. EU at 0% : Indicates input value of the lower limit. 3. Units Index : Indicates the units of the measurement range. 4. Decimal : Indicates the digit number below the decimal point.	1. EU at 100% = 130 2. EU at 0% = -50 3. Units Index = deg C 4. Decimal = 0	W
102	Tertiary Value Select	Specifies either the capsule temperature or amplifier temperature as the output value. (CAP, AMP)	CAP	W	

(Note) Handling: R=Read only, W=Read & Write

(Note) "Factory NAMUR category" refers to the four categories (C: Check function, M: Maintenance required, F: Failure, and O: Off specification) according to NAMUR NE107\*.

\*1: NAMUR NE107 "Self-Monitoring and Diagnosis of Field Devices"

\*2: Applicable for Detachable antenna type (Amplifier housing code: 8 or 9).

\*3: Applicable for amplifier housing code 7.

\*4: Applicable for amplifier housing code 8 or 9.

\*5: Minimum value is 1 second, when amplifier housing code 7 is specified.

\*6: It is valid for not only continuous mode but also intermittent mode, when amplifier housing code 8 or 9 is specified.

Table 10.2 Diagnostic Status Detail [0]

Bit	Diagnostic Status Detail	Description	Diagnostic Status assignment bit	NAMUR
DiagnosticDetail_1				
31	FC_SENSOR_FAIL	C sensor frequency error	Bit26	F
30	FR_SENSOR_FAIL	R sensor frequency error	Bit26	F
29	CAP_T_SENSOR_FAIL	Capsule temperature sensor failure	Bit26	F
28	CAP_EEPROM_FAIL	Capsule EEPROM failure	Bit26	F
27	CAP_EEP_IRREGULAR	CAP EEPROM version not correct	Bit26	F
26	AMP_T_SENSOR_FAIL	Amplifier temperature sensor failure	Bit27	F
25	AMP_EEPROM_FAIL	Amplifier EEPROM failure	Bit27	F
24	AMP_EEP_IRREGULAR	AMP EEPROM version not correct	Bit27	F
22	G_A_COMM_FAIL	G/A failure	Bit27	F
21	FC_UNOSC_FAIL	C sensor oscillation stop failure	Bit26	F
20	FC_DELTA_T_FAIL	C-side deltaT circuit failure	Bit27	F
19	FR_DELTA_T_FAIL	R-side deltaT circuit failure	Bit27	F
18	WL_AD_FAIL	Battery voltage not detected (AMP failure)	Bit27	F
17	FR_UNOSC_FAIL	R sensor oscillation stop failure	Bit26	F
15	DP_OUTSIDE_LIMIT	Pressure outside of specified range	Bit23	O
14	SP_OUTSIDE_LIMIT	Static pressure outside of specified range	Bit23	O
13	CAPT_OUTSIDE_LIMIT	Capsule temperature outside of specified range	Bit23	O
12	AMPT_OUTSIDE_LIMIT	Amplifier temperature outside of specified range	Bit23	O
7	DP_OUTSIDE_RANGE	Input pressure setting outside of range	Bit22	O
6	SP_OUTSIDE_RANGE	Static pressure setting outside of range	Bit22	O
DiagnosticDetail_2				
31	AI1_OUT_OF_SERVICE	AI1 O/S mode	Bit24	C
30	AI2_OUT_OF_SERVICE	AI2 O/S mode	Bit24	C
29	AI3_OUT_OF_SERVICE	AI3 O/S mode	Bit24	C
28	AI1_SIMULATION_ACTIVE	AI1 simulation mode	Bit17	C
27	AI2_SIMULATION_ACTIVE	AI2 simulation mode	Bit17	C
26	AI3_SIMULATION_ACTIVE	AI3 simulation mode	Bit17	C
20	DP_TRIM_SPAN_OUTSIDE	Pressure span adjustment variable outside of range	Bit25	C
19	DP_TRIM_ZERO_OUTSIDE	Pressure zero adjustment variable outside of range	Bit25	C
15	SP_TRIM_SPAN_OUTSIDE	Static pressure span adjustment variable outside of range	Bit25	C
14	SP_TRIM_ZERO_OUTSIDE	Static pressure zero adjustment variable outside of range	Bit25	C
13	WL_LOWBAT_ALM	Low battery	Bit19	M
12	CRITICAL_LOWBAT*1	Detect a decrease in the lowest drive voltage.	Bit20	M
10	WL_DEEPSLP_ALM	Deep sleep due to low battery	Bit20	M
8	LCD_OUTSIDE_LIMIT	LCD display outside of specified range	Bit25	C

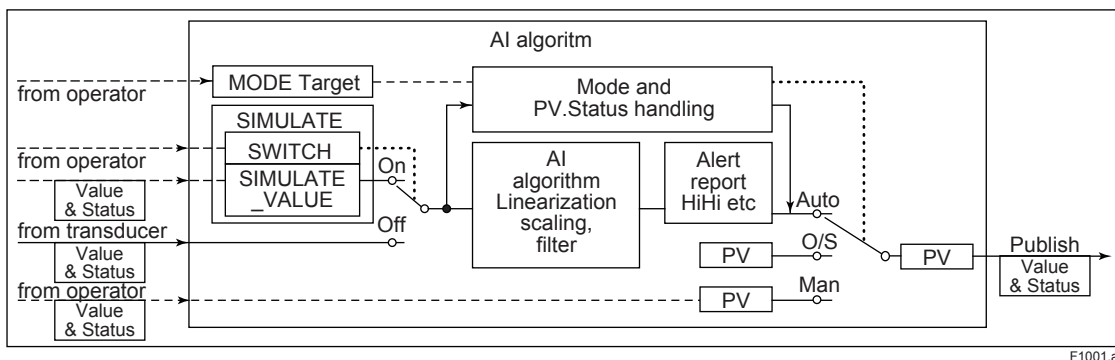


Figure 10.1 Example schema of analog input object



# 11. General Specifications

## 11.1 Standard Specifications

**Communication protocol:**

ISA100.11a protocol

**Data rate:**

250 kbps

**Frequency:**

2400 - 2483.5 MHz license free ISM band

**Radio security:**

AES 128 bit codified

**RF Transmitter power:**

Max. 11.6 dBm (fixed)

**Antenna:**

+2 dBi Omni directional monopole type

**Span and range limits:**

(For EJX510B, values are in absolute and lower range limits are 0.)

Measurement Span/Range	MPa	psi (/D1)	bar (/D3)	kgf/cm <sup>2</sup> (/D4)	
A	Span	8 to 200 kPa	1.16 to 29	0.08 to 2	0.08 to 2
	Range	-100 to 200 kPa	-14.5 to 29	-1 to 2	-1 to 2
B	Span	0.04 to 2	5.8 to 290	0.4 to 20	0.4 to 20
	Range	-0.1 to 2	-14.5 to 290	-1 to 20	-1 to 20
C	Span	0.2 to 10	29 to 1450	2 to 100	2 to 100
	Range	-0.1 to 10	-14.5 to 1450	-1 to 100	-1 to 100
D	Span	1 to 50	145 to 7200	10 to 500	10 to 500
	Range	-0.1 to 50	-14.5 to 7200	-1 to 500	-1 to 500

T01E.ai

**Performance specifications:**

Refer to GS 01C27F01-01EN.

**Update Time**

Measurement mode	Differential pressure	Pressure
Continuous	100 ms	100 ms
Intermittent	0.5 to 3600 s selectable	0.5 to 3600 s selectable

For amplifier housing code 7:

The transmitter shifts to the continuous mode when the update time is set to 1 second.

Minimum update time is 1 second.

For amplifier housing code 8 and 9:

The transmitter shifts to the continuous mode when the update time is set to 0.5 second.

**Power Supply Specifications**

**Battery:**

Use the dedicated battery pack.

Rated voltage: 7.2 V

Rated capacity: 19 Ah

**Output:**

Wireless (ISA100.11a protocol) 2.4GHz signal

**Zero Adjustment Limits:**

Zero can be fully elevated or suppressed, within the lower and upper range limits of the capsule.

**External Zero Adjustment:**

External zero is continuously adjustable with 0.01% incremental resolution of span. Re-range can be done locally using the digital indicator with range-setting switch.

**Integral Indicator (LCD display):**

5-digit numerical display, 6-digit unit display and bar graph. The indicator is configurable to display one or up to two of the following variables periodically;  
Pressure and temperature.

**Burst Pressure:**

A, B and C capsule: 30MPa

D capsule: 132MPa

**Self Diagnostics:**

Capsule failure, amplifier failure, configuration error, battery alarm, wireless communication alarm, and over-range error for process variables.

**Ambient Temperature Limits:**

-40 to 85°C(-40 to 185°F)

-30 to 80°C(-22 to 176°F) LCD visible range

**Process Temperature Limits:**

-40 to 120°C(-40 to 248°F)

**Ambient Humidity Limits:**

0 to 100% RH

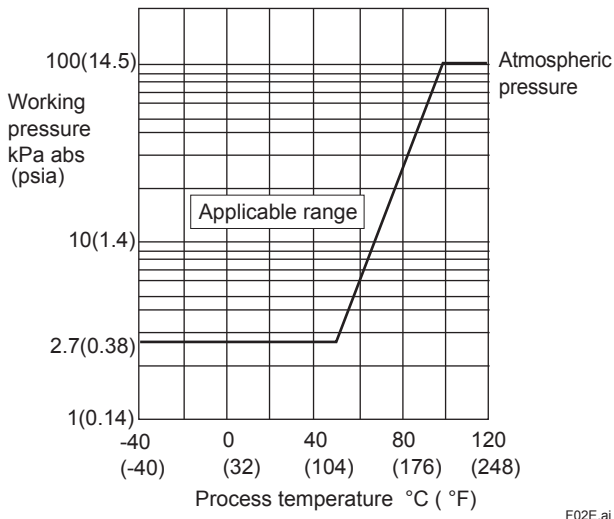
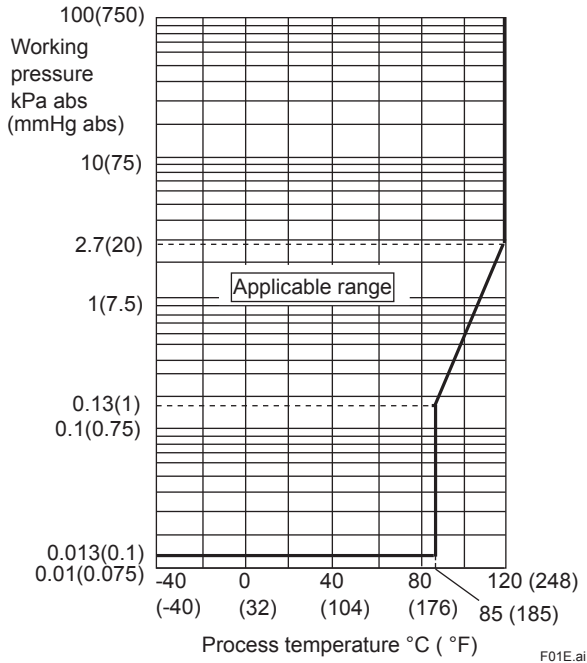
**Working Pressure Limits (Silicone oil):**

**Maximum Pressure Limits**

Pressure		
Capsule	EJX510B	EJX530B
A	200 kPa abs (29 psia)	200 kPa (29 psig)
B	2 MPa abs (290 psia)	2 MPa (290 psig)
C	10 MPa abs (1450 psia)	10 MPa (1450 psig)
D	50 MPa abs (7200 psia)	50 MPa (7200 psig)

**Minimum Pressure Limit**

See graph below



**Maximum Over Pressure**

Pressure		
Capsule	EJX510B	EJX530B
A and B	4 MPa abs (580 psia)	4 MPa (580 psig)
C	20 MPa abs (2900 psia)	20 MPa (2900 psig)
D	75 MPa abs (10800 psia)	75 MPa (10800 psig)

**EMC Conformity Standards**

EN61326-1 Class A, Table 2 (For use in industrial locations), EN61326-2-3

**Immunity influence during the test**

Differential pressure/ pressure: Output shift is specified within  $\pm 1\%$  of 1/10 Max span.  
 Static pressure: Output shift is specified within  $\pm 5\%$  of 1 MPa span.

**R&TTE Conformity Standards C€**

ETSI EN 300 328, ETSI EN 301 489-1, ETSI EN 301 489-17, EN61010-1, EN61010-2-030, EN62311  
 • Indoor/Outdoor use

**Regulation Conformity of the Wireless Module**

- FCC Approval
- IC Approval

**Safety Requirement Standards**

- EN61010-1, EN61010-2-030
- Altitude of installation site:  
 Max. 2,000 m above sea level
  - Installation category: I  
 (Anticipated transient overvoltage 330 V)
  - Pollution degree: 2
  - Indoor/Outdoor use

**Connections:**

Refer to "Model And Suffix Codes."

**Wetted Parts Materials:**

**Diaphragm, Process Connector**  
 Refer to "Model And Suffix Codes."

**Non-wetted Parts Materials:**

**Housing**  
 Low copper cast aluminum alloy with polyurethane, mint-green paint (Munsell 5.6BG 3.3/2.9 or its equivalent)

**Degrees of Protection**  
 IP66/IP67, NEMA4X

**Pipe**  
 Polypropylene

**Cover O-rings**  
 Buna-N

**Name plate and tag**  
 316 SST tag plate wired onto transmitter

**Fill Fluid**  
 Silicone, fluorinated oil (optional)

**Weight:**

Capsule A, B and C: 3.2kg (7.1 lb) \*  
 Capsule D: 3.4kg (7.4 lb) \*  
 \*: Without battery pack and mounting bracket.

## 11.2 Model and Suffix Codes

Model	Suffix Codes	Description									
EJX510B EJX530B	..... .....	Absolute pressure transmitter Gauge pressure transmitter									
Output signal	-L .....	Wireless communication (ISA100.11a protocol)									
Measurement span (capsule)	A..... B..... C..... D.....	8 to 200 kPa (1.16 to 29 psi) 0.04 to 2 MPa (5.8 to 290 psi) 0.2 to 10 MPa (29 to 1450 psi) 1 to 50 MPa (145 to 7200 psi)									
Wetted parts material *3	S..... H.....	<table border="0"> <tr> <td><u>Process connection</u></td> <td><u>Diaphragm</u></td> <td><u>Others</u></td> </tr> <tr> <td>316L SST</td> <td>Hastelloy C-276 *1</td> <td>316L SST</td> </tr> <tr> <td>Hastelloy C-276 *1</td> <td>Hastelloy C-276 *1</td> <td>Hastelloy C-276 *1</td> </tr> </table>	<u>Process connection</u>	<u>Diaphragm</u>	<u>Others</u>	316L SST	Hastelloy C-276 *1	316L SST	Hastelloy C-276 *1	Hastelloy C-276 *1	Hastelloy C-276 *1
<u>Process connection</u>	<u>Diaphragm</u>	<u>Others</u>									
316L SST	Hastelloy C-276 *1	316L SST									
Hastelloy C-276 *1	Hastelloy C-276 *1	Hastelloy C-276 *1									
Process connections	4..... 7..... 8..... 9.....	1/2 NPT female 1/2 NPT male G1/2 male *2 M20×1.5 male *2									
—	N.....	Always N									
—	-0 .....	Always 0									
Amplifier housing	7..... 8..... 9.....	Cast aluminum alloy with integral antenna Cast aluminum alloy with detachable antenna (2 dBi) *5 Cast aluminum alloy without antenna (N connector) *4*5									
Electrical connection	J.....	No electrical connection, battery-powered type (battery case only; battery cells not included)									
Integral indicator	D.....	Digital indicator									
Mounting bracket	▶ F..... N.....	304 SST 2-inch pipe mounting None									
Optional Codes		/ <input type="checkbox"/> Optional specification									

The “▶” marks indicates the most typical selection for each specification. Example: EJX530B-LAS4N-07JNN/□.

\*1: Hastelloy C-276 or ASTM N10276.

\*2: Not applicable for combination of capsule code **D** and wetted parts material code **H**.

\*3: Δ Users must consider the characteristics of selected wetted parts material and the influence of process fluids. The use of inappropriate materials can result in the leakage of corrosive process fluids and cause injury to personnel and/or damage to plant facilities. It is also possible that the diaphragm itself can be damaged and that material from the broken diaphragm and the fill fluid can contaminate the user's process fluids.

Be very careful with highly corrosive process fluids such as hydrochloric acid, sulfuric acid, hydrogen sulfide, sodium hypochlorite, and high-temperature steam (150°C [302°F] or above). Contact Yokogawa for detailed information of the wetted parts material.

\*4: Order the antenna separately from accessory option.

\*5: Remote antenna cables can be attached. Order separately from accessory option.

## 11.3 Optional Specifications

### ■ OPTIONAL SPECIFICATIONS (For Explosion Protected type)

Item	Description	Code
Factory Mutual (FM)	FM Intrinsically safe Approval	FS17
ATEX	ATEX Intrinsically safe Approval	KS27
Canadian Standards Association (CSA)	CSA Intrinsically safe Approval	CS17
IECEX	IECEX Intrinsically safe Approval	SS27

■ OPTIONAL SPECIFICATIONS

Item		Description	Code	
Painting	Color change	Amplifier cover only	P□	
	Coating change	Anti-corrosion coating *1	X2	
Oil-prohibited use*10		Degrease cleansing treatment	K1	
		Degrease cleansing treatment with fluorinated oilfilled capsule. Operating temperature -20 to 80°C (-4 to 176°F)	K2	
Capsule fill fluid		Fluorinated oil filled in capsule Operating temperature -20 to 80°C (-4 to 176°F)	K3	
Calibration units*2		P calibration (psi unit)	(See Table for Span and Range Limits.) D1	
		bar calibration (bar unit)		D3
		M calibration (kgf/cm <sup>2</sup> unit)		D4
Gold-plated diaphragm*10		Surface of isolating diaphragms are gold plated, effective for hydrogen permeation.	A1	
European Pressure Equipment Directive *11		PED 97/23/EC Category III, Module H, Type of Equipment: Pressure Accessory-Vessel, Type of Fluid: Liquid and Gas, Group of Fluid: 1 and 2.	PE3	
Material certificate*3		Process Connector	M15	
Pressure test/ Leak test certificate*9		Test Pressure: 200 kPa (29 psi)*4	Nitrogen(N <sub>2</sub> ) Gas or Water*8 Retention time: one minute T05	
		Test Pressure: 2 MPa (290 psi)*5		T06
		Test Pressure: 10 MPa (1450 psi)*6		T07
		Test Pressure: 50 MPa (7200 psi)*7		T08

- \*1: Not applicable with color change option.
- \*2: The unit of MWP (Max. working pressure) on the name plate of a housing is the same unit as specified by option codes **D1**, **D3**, and **D4**.
- \*3: Material traceability certification, per EN 10204 3.1 B.
- \*4: Applicable for capsule code **A**.
- \*5: Applicable for capsule code **B**.
- \*6: Applicable for capsule code **C**.
- \*7: Applicable for capsule code **D**.
- \*8: Pure nitrogen gas or pure water is used for oil-prohibited use (option codes **K1** and **K2**).
- \*9: The unit on the certificate is always kPa/MPa regardless of selection of option code **D1**, **D3** and **D4**.
- \*10: Applicable for wetted parts material code **S**.
- \*11: Applicable for measurement span code **D**. If compliance with category III is needed, specify this option code.

■ OPTIONAL ACCESSORIES

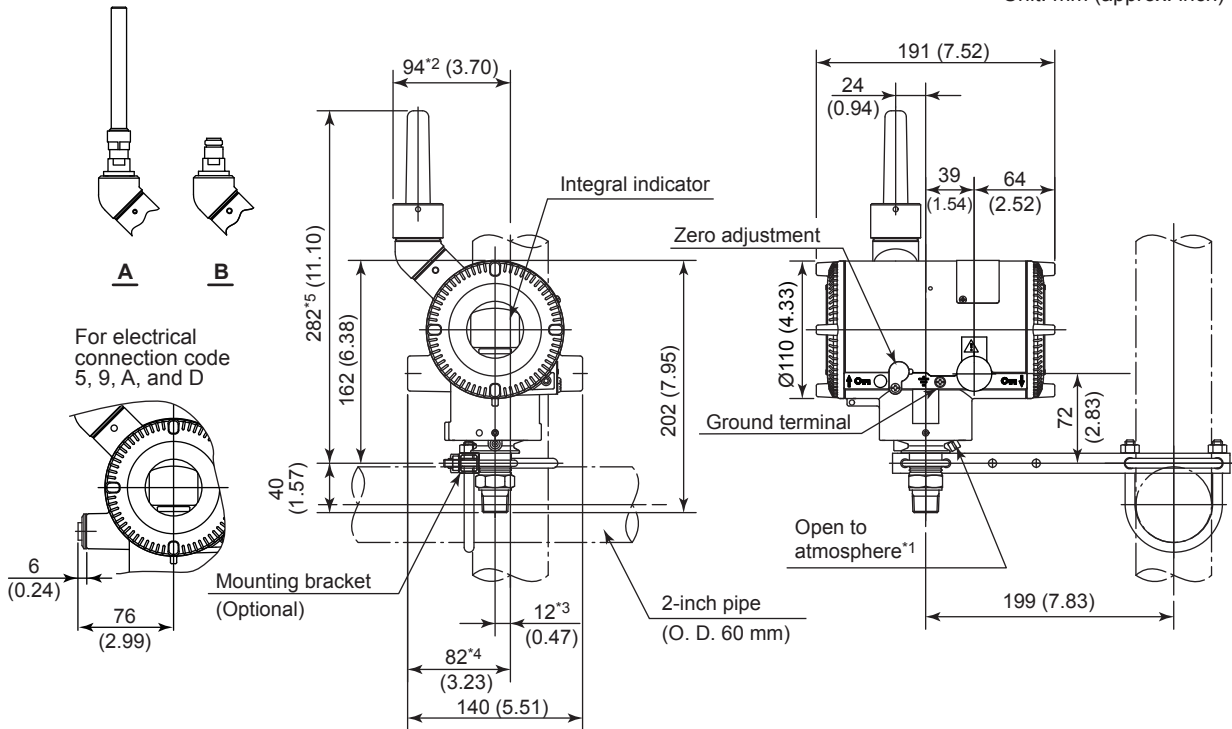
Product	Part number	Specification
Battery pack assembly	F9915NQ*1	Battery case, Lithium-thionyl chloride batteries 2 pieces
Batteries*2	F9915NR	Lithium-thionyl chloride batteries, 2 pieces
Battery case	F9915NK*3	Battery case only
Remote antenna cable	F9915KU	3 m with mounting bracket
	F9915KV	13 m (3 m+10 m), with arrester and mounting bracket
Antenna	F9915KW	2 dBi standard antenna
	F9915KX	0 dBi antenna
	F9915KY	6 dBi high gain antenna*4

- \*1: If you need F9915MA, please purchase F9915NQ. F9915NQ is a set of F9915MA and instruction manual.
- \*2: Alternatively, Tadiran SL-2780/S or TL-5930/S batteries can be purchased from your local distributor.
- \*3: If you need F9915NS, please purchase F9915NK. F9915NK is a set of F9915NS and instruction manual.
- \*4: Use of high gain antenna is limited by local regulation of radio and telecommunication law. Consult Yokogawa for details.

### 11.4 Dimensions

- Process connections code 7 (Amplifier housing code 7)

Unit: mm (approx. inch)

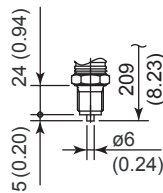


- \*1: Applicable for EJX530B Measurement span code A, B, and C.
- \*2: 92 mm (3.62 inch) for Measurement span code D. When amplifier housing code 8 or 9 is selected, subtract 1 mm (0.04 inch) from the value.
- \*3: 11 mm (0.43 inch) for Measurement span code D.
- \*4: 80 mm (3.15 inch) for Measurement span code D.
- \*5: When amplifier housing code 8 is selected, the value is 341 mm (13.43 inch). When amplifier housing code 9 is selected, the value is 221 mm (8.70 inch). In both cases, the figures are shown as A or B accordingly.

- Process connections code 4

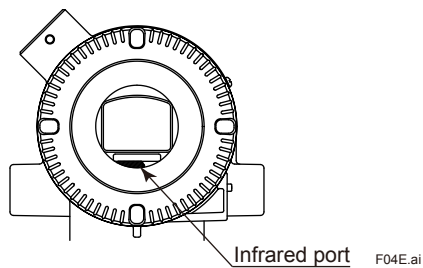


- Process connections code 8 and 9



F03E.ai

- Infrared Configuration



# Revision Information

- Title : EJX510B and EJX530B  
Absolute and Gauge Pressure Transmitters
- Manual No. : IM 01C27F01-01EN

<b>Edition</b>	<b>Date</b>	<b>Page</b>	<b>Revised Item</b>
2nd	Aug. 2010	—	Release of ISA100.11a protocol
3rd	Apr. 2011	—	<ul style="list-style-type: none"> <li>• Adapted to device configuration tool with infrared communication function.</li> <li>• Part number change Battery pack: F9915MA → F9915NQ Delete F9915MX Battery: A1133EB → F9915NR Delete battery case part number</li> </ul>
4th	Dec. 2011	9-7	9.4.7 Add battery case part number of F9915NK.
5th	Aug. 2012	—	Release of amplifier housing code 8 and 9.
6th	Oct. 2012	— 2-5 to 2-7 11-2	Release of ATEX/IECEx intrinsic safe for amplifier housing code 8 and 9. 2.8.3, 2.8.4 Change the descriptions and the installation diagram. 11.1 Delete the limitation use for France.
7th	June 2013	—	Release of CSA intrinsic safe for amplifier housing code 8 and 9.
8th	Jan. 2014	—	Release of FM intrinsic safe for amplifier housing code 8 and 9.
9th	July 2015	11-2 11-4	Revise descriptions for EMC conformity standards. Add notes to the table of optional accessories.