

# General Specifications

## EJX110A Differential Pressure Transmitter



GS 01C25B01-01EN

[Style: S3]

The high performance differential pressure transmitter EJX110A features single crystal silicon resonant sensor and is suitable to measure liquid, gas, or steam flow as well as liquid level, density and pressure. EJX110A outputs a 4 to 20 mA DC signal corresponding to the measured differential pressure. Its highly accurate and stable sensor can also measure the static pressure which can be shown on the integral indicator or remotely monitored via BRAIN or HART communications. Other key features include quick response, remote set-up using communications, diagnostics and optional status output for pressure high/low alarm. The multi-sensing technology provides the advanced diagnostic function to detect such abnormalities as an impulse line blockage or heat trace breakage. FOUNDATION Fieldbus and PROFIBUS PA protocol types are also available. All EJX series models in their standard configuration, with the exception of the Fieldbus and PROFIBUS types, are certified by TÜV as complying with SIL 2 for safety requirement.



### ■ STANDARD SPECIFICATIONS

Refer to GS 01C25T02-01EN for Fieldbus communication type and GS 01C25T04-01EN for PROFIBUS PA communication type for the items marked with “∅.”

#### □ SPAN AND RANGE LIMITS

Measurement Span/Range	kPa	inH <sub>2</sub> O (D1)	mbar (D3)	mmH <sub>2</sub> O (D4)	
F*	Span	0.1 to 5	0.4 to 20	1 to 50	10 to 500
	Range	-5 to 5	-20 to 20	-50 to 50	-500 to 500
L*	Span	0.1 to 10	0.4 to 40	1 to 100	10 to 1000
	Range	-10 to 10	-40 to 40	-100 to 100	-1000 to 1000
M	Span	0.5 to 100	2 to 400	5 to 1000	50 to 10000
	Range	-100 to 100	-400 to 400	-1000 to 1000	-10000 to 10000
H	Span	2.5 to 500	10 to 2000	25 to 5000	0.025 to 5 kgf/cm <sup>2</sup>
	Range	-500 to 500	-2000 to 2000	-5000 to 5000	-5 to 5 kgf/cm <sup>2</sup>
V	Span	0.07 to 14 MPa	10 to 2000 psi	0.7 to 140 bar	0.7 to 140 kgf/cm <sup>2</sup>
	Range	-0.5 to 14 MPa	-71 to 2000	-5 to 140 bar	-5 to 140 kgf/cm <sup>2</sup>

\*: F capsule is applicable for wetted parts material code S.  
L capsule is applicable for wetted parts material code other than S.

#### □ PERFORMANCE SPECIFICATIONS

Zero-based calibrated span, linear output, wetted parts material code S and silicone oil, unless otherwise mentioned.

For Fieldbus and PROFIBUS PA communication types, use calibrated range instead of span in the following specifications.

#### Specification Conformance

EJX series ensures specification conformance to at least  $\pm 3\sigma$ .

#### Reference Accuracy of Calibrated Span

(includes terminal-based linearity, hysteresis, and repeatability)

Measurement span	F	
Reference accuracy	X ≤ span	±0.04% of Span
	X > span	±(0.015+0.01 URL/span)% of Span
X	2 kPa (8 inH <sub>2</sub> O)	
URL (upper range limit)	5 kPa (20 inH <sub>2</sub> O)	

Measurement span	M	
Reference accuracy	X ≤ span	±0.04% of Span
	X > span	±(0.002+0.0019 URL/span)% of Span
X	5 kPa (20 inH <sub>2</sub> O)	
URL (upper range limit)	100 kPa (400 inH <sub>2</sub> O)	

Measurement span	H	
Reference accuracy	X ≤ span	±0.04% of Span
	X > span	±(0.005+0.0049 URL/span)% of Span
X	70 kPa (280 inH <sub>2</sub> O)	
URL (upper range limit)	500 kPa (2000 inH <sub>2</sub> O)	

Measurement span		V
Reference accuracy	X ≤ span	±0.04% of Span
	X > span	±(0.005+0.00125 URL/span)% of Span
X		500 kPa (2000 inH <sub>2</sub> O)
URL (upper range limit)		14 MPa (2000 psi)

[When /HAC is specified]

Measurement span		M
Reference accuracy	X ≤ span	±0.025% of Span
	X > span	±(0.015+0.001 URL/Span) % of Span
X		10 kPa (40 inH <sub>2</sub> O)
URL (Upper Range Limit)		100 kPa (400 inH <sub>2</sub> O)

Measurement span		H
Reference accuracy	X ≤ span	±0.025% of Span
	X > span	±(0.0035 URL/Span) % of Span
X		70 kPa (280 inH <sub>2</sub> O)
URL (Upper Range Limit)		500 kPa (2000 inH <sub>2</sub> O)

Measurement span		V
Reference accuracy	X ≤ span	±0.025% of Span
	X > span	±(0.004+0.00075 URL/Span) % of Span
X		500 kPa (2000 inH <sub>2</sub> O)
URL (Upper Range Limit)		14 MPa (2000 psi)

**Square Root Output Accuracy**

The square root accuracy is a percent of flow span.

Output	Accuracy
50% or Greater	Same as reference accuracy
50% to Dropout point	$\frac{\text{Reference accuracy} \times 50}{\text{Square root output (\%)}}$

**Ambient Temperature Effects per 28°C (50°F) Change**

Capsule	Effect
F	±(0.055% Span + 0.18% URL)
M	±(0.04% Span + 0.009% URL)
H, V	±(0.04% Span + 0.0125% URL)

**● Total Probable Error (M capsule)**

±0.12% of Span @1:1 to 5:1 Rangedown  
 Total probable error, known as a measure of the total performance of the transmitters under the condition of fixed line pressure.

$$\text{Total Probable Error} = \pm \sqrt{E_1^2 + E_2^2 + E_3^2}$$

E1: Reference Accuracy of Calibrated Span  
 E2: Ambient Temperature Effects per 28°C change  
 E3: Static Span Effects per 6.9 MPa change

**● Total Accuracy (M capsule)**

±0.12% of Span @1:1 Rangedown  
 ±0.25% of Span @ 5:1 Rangedown  
 Total accuracy is a comprehensive measure of transmitter total performance, covering all major factors in actual installation, that cause errors in measurement.

As a standard measure, YOKOGAWA uses this to evaluate transmitter performance.

$$\text{Total Accuracy} = \pm \sqrt{E_1^2 + E_2^2 + (E_3 + E_4)^2 + E_5^2}$$

E1: Reference Accuracy of Calibrated Span  
 E2: Ambient Temperature Effects per 28°C change  
 E3: Static Span Effects per 6.9 MPa change  
 E4: Static Zero Effects per 6.9 MPa change  
 E5: Overpressure Effects upto overpressure 25MPa

Not only a day-to-day changes in temperature can affect the measurement and lead to unnoticed errors; fluctuation of line pressure, incorrect operation of three/five valve manifold leading to over-pressure events, and other phenomena can have the similar result. Total Accuracy factors in such changes and errors and provides much comprehensive and practical determination of how a transmitter will perform under actual plant operation.

**Static Pressure Effects per 6.9 MPa (1000 psi) Change**

**Span Effects**

F, M, H and V capsules  
 ±0.075% of span

**Effect on Zero**

Capsule	Effect
F	±0.1% URL
M	±0.02% URL
H, V	±0.028% URL

**Overpressure Effects**

Overpressure condition: up to maximum working pressure  
 M, H and V capsules, except for gold-plated diaphragm.  
 ±0.03% of URL

**Stability (All normal operating condition, including overpressure effects)**

M, H and V capsules  
 ±0.1% of URL per 15 years  
 F capsule  
 ±0.1% of URL per one year

**Power Supply Effects(Output signal code D, E and J)**

±0.005 % per Volt (from 21.6 to 32 V DC, 350Ω)

**Vibration Effects**

Amplifier housing code 1 and 3:

Less than 0.1% of URL when tested per the requirements of IEC60770-1 field or pipeline with high vibration level (10-60 Hz, 0.21 mm displacement/60-2000 Hz 3 g)

Amplifier housing code 2:

Less than ±0.1% of URL when tested per the requirements of IEC60770-1 field with general application or pipeline with low vibration level (10-60 Hz 0.15mm displacement /60-500 Hz 2g)

**Mounting Position Effects**

Rotation in diaphragm plane has no effect. Tilting up to 90 degree will cause zero shift up to 0.4 kPa (1.6 inH<sub>2</sub>O) which can be corrected by the zero adjustment.

**Response Time (Differential pressure) “◇”**

90 ms for Wetted Parts material code S except for Measuring span code F. 150 ms for Wetted Parts Material Code H, M, T, A, B, D and W or Measuring span code F.

When amplifier damping is set to zero and including dead time of 45 ms (nominal)

**Static Pressure Signal Range and Accuracy (For monitoring via communication or on indicator. Includes terminal-based linearity, hysteresis, and repeatability)**

**Range**

Upper Range Value and Lower Range Value of the static pressure can be set in the range between 0 and Maximum Working Pressure(MWP). The upper range value must be greater than the lower range value. Minimum setting span is 0.5 MPa(73 psi). Measuring either the pressure of high pressure side or low pressure side is user-selectable.

**Accuracy**

Absolute Pressure

1 MPa or higher: ±0.2% of span  
Less than 1 MPa: ±0.2%×(1 MPa/span) of span

Gauge Pressure Reference

Gauge pressure reference is 1013 hPa (1 atm)

Note: Gauge pressure variable is based on the above fixed reference and thus subject to be affected by the change of atmospheric pressure.

□ **FUNCTIONAL SPECIFICATIONS**

**Output “◇”**

Two wire 4 to 20 mA DC output with digital communications, linear or square root programmable. BRAIN or HART FSK protocol are superimposed on the 4 to 20 mA signal.

Output range: 3.6 mA to 21.6 mA

Output limits conforming to NAMUR NE43 can be pre-set by option code C2 or C3.

**Failure Alarm (Output signal code D, E and J)**

Analog output status at CPU failure and hardware error;

Up-scale: 110%, 21.6 mA DC or more (standard)

Down-scale: -5%, 3.2 mA DC or less

Analog output status at process abnormality (Option code /DG6);

The result of process abnormality detected by the advanced diagnostic function can be reflected to an analog alert status. The following three setting modes are available.

		Mode		
		Burnout	Fall back	Off
Standard		110%, 21.6mA or more	Holds to a specified value within the output range from 3.6mA to 21.6mA	Normal output (No analog output alarm)
Option Code	/C1	-2.5%, 3.6mA or less		
	/C2	-1.25%, 3.8mA or less		
	/C3	103.1%, 20.5mA or more		

**Damping Time Constant (1st order)**

Amplifier damping time constant is adjustable from 0.00 to 100.00 s by software and added to response time.

Note: For BRAIN protocol type, when amplifier software damping is set to less than 0.5 s, communication may occasionally be unavailable during the operation, especially while output changes dynamically. The default setting of damping ensures stable communication.

**Update Period “◇”**

Differential pressure: 45 ms

Static pressure: 360 ms

**Zero Adjustment Limits**

Zero can be fully elevated or suppressed, within the lower and upper range limits of the capsule.

**External Zero Adjustment**

External zero is continuously adjustable with 0.01% incremental resolution of span. Re-range can be done locally using the digital indicator with rangesetting switch.

**Integral Indicator (LCD display, optional) “◇”**

5-digit numerical display, 6-digit unit display and bar graph.

The indicator is configurable to display one or up to four of the following variables periodically.; Measured differential pressure, differential pressure in %, scaled differential pressure, measured static pressure. See also “Factory Setting.”

**Local Parameter Setting (Output signal code D, E, and J)**

Parameter configuration by the external zero adjustment screw and push button (Integral indicator code E) offers easy and quick setup for parameters of Tag number, Unit, LRV, URV, Damping, Output mode (linear/square root), Display out 1, and Re-range by applying actual pressure (LRV/URV).

**Burst Pressure Limits**

69 MPa (10,000 psi) for wetted parts material S, except for Measurement span F.

47 MPa (6,800 psi) for wetted parts material other than S or Measurement span F.

**Self Diagnostics**

CPU failure, hardware failure, configuration error, and over-range error for differential pressure, static pressure and capsule temperature.

User-configurable process high/low alarm for differential pressure and static pressure is also available, and its status can be output when optional status output is specified.

**Advanced Diagnostics (optional) “◇”**

Applicable for Output signal code E, J and F.

- Impulse line blockage detection  
The impulse line condition can be calculated and detected by extracting the fluctuation component from the differential pressure and static pressure signals. The EJX110A detects the impulse line abnormality particularly which side of impulse line is plugged.
- Heat trace monitoring  
The change of the flange temperature calculated by using the two temperature sensors built in the EJX enables to detect the heat trace breakage or the abnormal temperature due to the failure.

**Signal Characterizer (Output signal code D, E and J)**

User-configurable 10-segment signal characterizer for 4 to 20 mA output.

**Status Output (optional, output signal code D, E and J)**

One transistor contact output (sink type) to output the status of user configurable high/low alarm for differential pressure/static pressure.  
Contact rating: 10.5 to 30 V DC, 120 mA DC max. Refer to ‘Terminal Configuration’ and ‘Wiring Example for Analog Output and Status Output.’

**SIL Certification**

EJX series transmitters except Fieldbus and PROFIBUS PA communication types are certified by TÜV in compliance with the following standards; IEC 61508: 2010; Part1 to Part 7 Functional Safety of Electrical/electronic/programmable electronic related systems; SIL 2 capability for single transmitter use, SIL 3 capability for dual transmitter use.

□ **NORMAL OPERATING CONDITION (Optional features or approval codes may affect limits.)**

**Ambient Temperature Limits**

- 40 to 85°C (-40 to 185°F)
- 30 to 80°C (-22 to 176°F) with LCD display

**Process Temperature Limits**

- 40 to 120°C (-40 to 248°F)

**Ambient Humidity Limits**

- 0 to 100% RH

**Working Pressure Limits (Silicone oil)**

**Maximum Pressure Limits (MWP)**

Capsule		MWP
F, L		16 MPa (2300 psi)
M, H, V	Wetted Parts Material: S	25 MPa (3600 psi)
	Wetted Parts Material: H, T, M, A, D, B and W	16 MPa (2300 psi)

**Minimum Pressure Limit**

See graph below

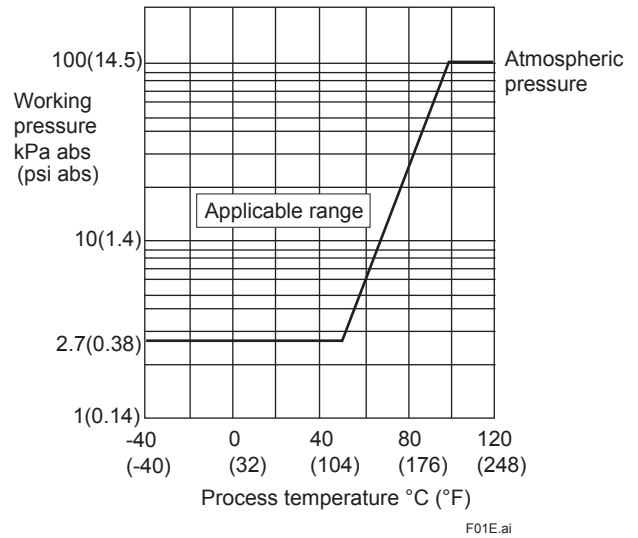


Figure 1. Working Pressure and Process Temperature

**Supply & Load Requirements**

(Output signal code D, E and J. Optional features or approval codes may affect electrical requirements.)

With 24 V DC supply, up to a 550Ω load can be used. See graph below.

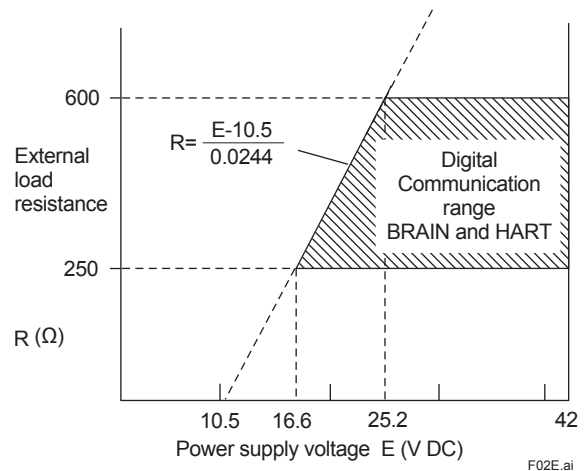


Figure 2. Relationship Between Power Supply Voltage and External Load Resistance

**Supply Voltage “◇”**

- 10.5 to 42 V DC for general use and flameproof type.
- 10.5 to 32 V DC for lightning protector (option code /A.)
- 10.5 to 30 V DC for intrinsically safe, type n, or nonincendive.
- Minimum voltage limited at 16.6 V DC for digital communications, BRAIN and HART

**Load (Output signal code D, E and J)**

- 0 to 1290Ω for operation
- 250 to 600Ω for digital communication

**Communication Requirements “◇”**

(Approval codes may affect electrical requirements.)

**BRAIN****Communication Distance**

Up to 2 km (1.25 miles) when using CEV polyethylene-insulated PVC-sheathed cables. Communication distance varies depending on type of cable used.

**Load Capacitance**

0.22 µF or less

**Load Inductance**

3.3 mH or less

**Input Impedance of communicating device**

10 kΩ or more at 2.4 kHz.

**EMC Conformity Standards**

EN 61326-1 Class A, Table2 (For use in industrial locations)

EN 61326-2-3

EN 61326-2-5 (for fieldbus)

**European Pressure Equipment Directive****2014/68/EU**

Sound Engineering Practice (for all capsules)

With option code /PE3 (for M, H and V capsules and wetted parts material code S.)



Category III, Module H, Type of Equipment: Pressure Accessory-Vessel, Type of Fluid: Liquid and Gas, Group of Fluid: 1 and 2

**Safety Requirement Standards**

EN 61010-1, C22.2 No.61010-1

- Installation category: I  
(Anticipated transient overvoltage 330 V)
- Pollution degree: 2
- Indoor/Outdoor use

□ **PHYSICAL SPECIFICATIONS****Wetted Parts Materials**

**Diaphragm, Cover Flange, Process Connector, Capsule Gasket, and Vent/Drain Plug**  
Refer to “MODEL AND SUFFIX CODES.”

**Process Connector Gasket**

PTFE Teflon

Fluorinated rubber for option code N2 and N3

**Non-wetted Parts Materials****Bolting**

B7 carbon steel, 316L SST or 660 SST

**Housing**

Low copper cast aluminum alloy with polyurethane, mint-green paint (Munsell 5.6BG 3.3/2.9 or its equivalent), or ASTM CF-8M Stainless Steel

**Degrees of Protection**

IP66/IP67, Type 4X

**Cover O-rings**

Buna-N, fluoro-rubber (optional)

**Name plate and tag**

316 SST

**Fill Fluid**

Silicone, fluorinated oil (optional)

**Weight**

[Installation code 7, 8 and 9]

2.8 kg (6.2 lb) for measurement span code M, H and V, wetted parts material code S without integral indicator, mounting bracket, and process connector.

3.7 kg (8.2 lb) for measurement span code F without integral indicator, mounting bracket, and process connector.

Add 1.5 kg (3.3lb) for Amplifier housing code 2.

**Connections**

Refer to “MODEL AND SUFFIX CODES.”

Process connection of cover flange: IEC61518

< **Related Instruments** >

FieldMate Versatile Device Management Wizard:

Refer to GS 01R01A01-01E.

BRAIN TERMINAL: Refer to GS 01C00A11-00E

Power Distributor: Refer to GS 01B04T01-02E or GS 01B04T02-02E

< **Reference** >

1. *DPHarp* **EJX**® is a registered trademark of Yokogawa Electric Corporation.
  2. FieldMate; Trademark of Yokogawa Electric Corporation.
  3. Teflon; Trademark of E.I. DuPont de Nemours & Co.
  4. Hastelloy; Trademark of Haynes International Inc.
  5. HART®: Registered trademark of the FieldComm Group.
  6. FOUNDATION Fieldbus; Trademark of the FieldComm Group.
  7. PROFIBUS; Registered trademark of Profibus Nutzerorganisation e.v., Karlsruhe, Germany.
- Other company names and product names used in this material are registered trademarks or trademarks of their respective owners.

**MODEL AND SUFFIX CODES**

Model	Suffix Codes	Description
<b>EJX110A</b>	.....	Differential pressure transmitter
Output signal	<b>-D</b> ..... <b>-E</b> ..... <b>-J</b> .....  <b>-F</b> ..... <b>-G</b> .....	4 to 20 mA DC with digital communication (BRAIN protocol) 4 to 20 mA DC with digital communication (HART 5 protocol) 4 to 20 mA DC with digital communication (HART 5/HART 7 protocol) (Refer to GS 01C25T01-01EN) Digital communication (FOUNDATION Fieldbus protocol, refer to GS 01C25T02-01EN) Digital communication (PROFIBUS PA protocol, refer to GS 01C25T04-01EN)
Measurement span (capsule)	<b>F</b> ..... <b>L</b> .....  <b>M</b> ..... <b>H</b> ..... <b>V</b> .....	0.1 to 5 kPa (0.4 to 20 inH <sub>2</sub> O) (For Wetted parts material code S) 0.1 to 10 kPa (0.4 to 40 inH <sub>2</sub> O) (For Wetted parts material code M, H, T, A, D, B and W) 0.5 to 100 kPa (2 to 400 inH <sub>2</sub> O) 2.5 to 500 kPa (10 to 2000 inH <sub>2</sub> O) 0.07 to 14 MPa (10 to 2000 psi)
Wetted parts material *1	<input type="checkbox"/> .....	Refer to "Wetted Parts Material" Table.
Process connections See the table in the next page for the codes for a diaphragm seal system.	<b>0</b> ..... <b>1</b> ..... <b>2</b> ..... <b>3</b> ..... <b>4</b> ..... <b>5</b> .....	without process connector (Rc1/4 female on the cover flanges) with Rc1/4 female process connector with Rc1/2 female process connector with 1/4 NPT female process connector with 1/2 NPT female process connector without process connector (1/4 NPT female on the cover flanges)
Bolts and nuts materia	<b>J</b> ..... <b>G</b> ..... <b>C</b> .....	B7 carbon steel 316L SST 660 SST
Installation	<b>-7</b> ..... <b>-8</b> ..... <b>-9</b> ..... <b>-B</b> ..... <b>-U</b> .....	Vertical piping, left side high pressure, and process connection downside Horizontal piping and right side high pressure Horizontal piping and left side high pressure Bottom Process Connection, left side high pressure*2 Universal flange*2
Amplifier housing	<b>1</b> ..... <b>3</b> ..... <b>2</b> .....	Cast aluminum alloy Cast aluminum alloy with corrosion resistance properties*4 ASTM CF-8M stainless steel*5
Electrical connection	<b>0</b> ..... <b>2</b> ..... <b>4</b> ..... <b>5</b> ..... <b>7</b> ..... <b>9</b> ..... <b>A</b> ..... <b>C</b> ..... <b>D</b> .....	G1/2 female, one electrical connection without blind plugs 1/2 NPT female, two electrical connections without blind plugs M20 female, two electrical connections without blind plugs G1/2 female, two electrical connections and a blind plug*6 1/2 NPT female, two electrical connections and a blind plug*6 M20 female, two electrical connections and a blind plug*6 G1/2 female, two electrical connections and a SUS316 blind plug 1/2 NPT female, two electrical connections and a SUS316 blind plug M20 female, two electrical connections and a SUS316 blind plug
Integral indicator	<b>D</b> ..... <b>E</b> ..... <b>N</b> .....	Digital indicator*7 Digital indicator with the range setting switch (push button)*8 None
Mounting bracket	<b>B</b> ..... <b>D</b> ..... <b>J</b> ..... <b>K</b> ..... <b>M</b> ..... <b>N</b> .....	304 SST 2-inch pipe mounting, flat type (for horizontal piping) 304 SST or SCS13A 2-inch pipe mounting, L type (for vertical piping) 316 SST 2-inch pipe mounting, flat type (for horizontal piping) 316 SST or SCS14A 2-inch pipe mounting, L type (for vertical piping) 316 SST or SCS14A 2-inch pipe mounting (for bottom process connection type) None
Optional Codes		<input type="checkbox"/> / Optional specification

The "►" marks indicate the most typical selection for each specification.

\*1: ⚠ Users must consider the characteristics of selected wetted parts material and the influence of process fluids. The use of inappropriate materials can result in the leakage of corrosive process fluids and cause injury to personnel and/or damage to plant facilities. It is also possible that the diaphragm itself can be damaged and that material from the broken diaphragm and the fill fluid can contaminate the user's process fluids.

Be very careful with highly corrosive process fluids such as hydrochloric acid, sulfuric acid, hydrogen sulfide, sodium hypochlorite, and high-temperature steam (150°C [302°F] or above). Contact Yokogawa for detailed information of the wetted parts material.

\*2: Only applicable for Wetted parts material code S.

\*3: Not applicable for measurement span code F.

\*4: Not applicable for electrical connection code 0, 5, 7, 9 and A. Content rate of copper in the material is 0.03% or less and content rate of iron is 0.15% or less.

\*5: Not applicable for electrical connection code 0, 5, 7 and 9.

\*6: Material of a blind plug; aluminum alloy for code 5 and 9, and SUS304 for code 7.

\*7: Not applicable for output signal code G.

\*8: Not applicable for output signal code F.

**Table. Wetted Parts Materials**

Wetted parts material code	Cover flange and process connector	Capsule	Capsule gasket	Vent/Drain plug
<b>S #</b>	ASTM CF-8M *1	Hastelloy C-276 *2 (Diaphragm) F316L SST, 316L SST (Others)	Teflon-coated 316L SST	316 SST
<b>H #</b>	ASTM CF-8M *1	Hastelloy C-276 *2	PTFE Teflon	316 SST
<b>M #</b>	ASTM CF-8M *1	Monel	PTFE Teflon	316 SST
<b>T</b>	ASTM CF-8M *1	Tantalum	PTFE Teflon	316 SST
<b>A #</b>	Hastelloy C-276 equivalent *3	Hastelloy C-276 *2	PTFE Teflon	Hastelloy C-276 *2
<b>D #</b>	Hastelloy C-276 equivalent *3	Tantalum	PTFE Teflon	Hastelloy C-276 *2
<b>B #</b>	Monel equivalent *4	Monel	PTFE Teflon	Monel
<b>W #</b>	Super Duplex SST equivalent *5	Hastelloy C-276 *2	PTFE Teflon	Super Duplex SST *6

\*1: Cast version of 316 SST. Equivalent to SCS14A.

\*2: Hastelloy C-276 or ASTM N10276.

\*3: Indicated material is equivalent to ASTM CW-12MW.

\*4: Indicated material is equivalent to ASTM M35-2.

\*5: Indicated material is equivalent to ASTM A995 Grade5A.

\*6: ASTM S32750 or EN 10272 1.4410.

The #marks indicate the construction materials conform to NACE material recommendations per MR0175/ISO15156.

Please refer to the latest standards for details. Selected materials also conform to NACE MR0103.

**[Process Connections Code for Diaphragm Seal System]**

The table below shows the codes dedicated for the combination with a diaphragm seal system. They are only available when the transmitter is ordered in combination with a diaphragm seal system. Please also refer to GS 01C25W01-01EN.

Process Connections Code	High Pressure Side	Low Pressure Side
<b>B</b>	With C80F□, C8□FA or C8□FD diaphragm seal	With C80F□, C8□FA or C8□FD diaphragm seal
<b>C</b>	With C80F□, C82FA or C82FD diaphragm seal	Rc 1/4 female on the cover flange
<b>D</b>	With C80F□, C82FA or C82FD diaphragm seal	1/4 NPT female on the cover flange
<b>E</b>	Rc 1/4 female on the cover flange	With C80F□, C82FA or C82FD diaphragm seal
<b>F</b>	1/4 NPT female on the cover flange	With C80F□, C82FA or C82FD diaphragm seal
<b>G</b>	With C80F□, C8□FA or C8□FD diaphragm seal for high vacuum use	With C80F□, C8□FA or C8□FD diaphragm seal for high vacuum use
<b>Q</b>	With C20F□ direct mount seal	Rc 1/4 female on the cover flange
<b>R</b>	With C20F□ direct mount seal	1/4 NPT female on the cover flange

C80F□, C8□FA, C8□FD and C20F□ stand for C80FW or C80FE remote mount flanged diaphragm seal, C81FA or C82FA inner diaphragm adapter connection seal, C81FD or C82FD inner diaphragm flanged seal, and C20FW or C20FE direct mount seal respectively.

## ■ OPTIONAL SPECIFICATIONS (For Explosion Protected type) “◇”

For other agency approvals and marine approvals, please refer to GS 01C25A20-01EN.

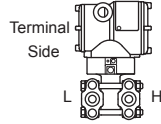
Item	Description	Code
Factory Mutual (FM)	FM Explosionproof Approval <sup>*1</sup> Applicable Standard: FM3600, FM3615, FM3810, ANSI/NEMA 250 Explosionproof for Class I, Division 1, Groups B, C and D, Dust-ignitionproof for Class II/III, Division 1, Groups E, F and G, in Hazardous locations, indoors and outdoors (Enclosure: Type 4X) “FACTORY SEALED, CONDUIT SEAL NOT REQUIRED.” Temperature class: T6, Amb. Temp.: -40 to 60°C (-40 to 140°F)	FF1
	FM Intrinsically safe Approval <sup>*1*2</sup> Applicable Standard: FM3600, FM3610, FM3611, FM3810 Intrinsically Safe for Class I, Division 1, Groups A, B, C & D, Class II, Division 1, Groups E, F & G and Class III, Division 1, Class I, Zone 0, in Hazardous Locations, AEx ia IIC Nonincendive for Class I, Division 2, Groups A, B, C & D, Class II, Division. 2, Groups F & G, Class I, Zone 2, Group IIC, in Hazardous Locations Enclosure: Type 4X, Temp. Class: T4, Amb. Temp.: -60 to 60°C (-75 to 140°F) Intrinsically Safe Apparatus Parameters [Groups A, B, C, D, E, F and G] Vmax=30 V, Imax=200 mA, Pmax=1 W, Ci=6 nF, Li=0 μH [Groups C, D, E, F and G] Vmax=30 V, Imax=225 mA, Pmax=1 W, Ci=6 nF, Li=0 μH	FS1
	Combined FF1 and FS1 <sup>*1*2</sup>	FU1
ATEX	ATEX Flameproof Approval <sup>*1</sup> Applicable Standard: EN 60079-0:2012+A11:2013, EN 60079-1:2007, EN 60079-31:2014 Certificate: KEMA 07ATEX0109 X II 2G, 2D Ex d IIC T6...T4 Gb, Ex tb IIIC T85°C Db Degree of protection: IP66/IP67 Amb. Temp. (Tamb) for gas-proof : T4; -50 to 75°C (-58 to 167°F), T5; -50 to 80°C (-58 to 176°F), T6; -50 to 75°C (-58 to 167°F) Process Temp. for gas-proof (Tp): T4; -50 to 120°C (-58 to 248°F), T5; -50 to 100°C (-58 to 212°F), T6; -50 to 85°C (-58 to 185°F) Max. surface Temp. for dust-proof: T85°C (Tamb: -30 to 75°C, Tp: -30 to 85°C) <sup>*3</sup>	KF22
	ATEX Intrinsically safe Approval <sup>*1*2</sup> Applicable Standard: EN 60079-0:2012+A11:2013, EN 60079-11:2012 Certificate: DEKRA 11ATEX0228 X II 1G, 2D Ex ia IIC T4 Ga, Ex ia IIIC T85°C T100°C T120°C Db Degree of protection: IP66/IP67 Amb. Temp. (Tamb) for EPL Ga: -50 to 60°C (-58 to 140°F) Maximum Process Temp. (Tp) for EPL Ga: 120°C Electrical data: Ui=30 V, Ii=200 mA, Pi=0.9 W, Ci=27.6 nF, Li=0 μH Amb. Temp. for EPL Db: -30 to 60°C <sup>*3</sup> Max. surface Temp. for EPL Db: T85°C (Tp: 80°C), T100°C (Tp: 100°C), T120°C (Tp: 120°C)	KS21
	Combined KF22, KS21 and ATEX Intrinsically safe Ex ic <sup>*1*2</sup> [ATEX Intrinsically safe Ex ic] Applicable Standard: EN 60079-0:2012+A11:2013, EN 60079-11 :2012 II 3G Ex ic IIC T4 Gc, Amb. Temp.: -30 to 60°C (-22 to 140°F) <sup>*3</sup> Ui=30 V, Ci=27.6 nF, Li=0 μH	KU22



Item	Description	Code
Canadian Standards Association (CSA)	<p>CSA Explosionproof Approval *1                      Certificate: 2014354                      Applicable Standard: C22.2 No.0, C22.2 No.0.4, C22.2 No.0.5, C22.2 No.25, C22.2 No.30, C22.2 No.94, C22.2 No.60079-0, C22.2 No.60079-1, C22.2 No.61010-1, C22.2 No.61010-2-030                      Explosion-proof for Class I, Groups B, C and D.                      Dustignition-proof for Class II/III, Groups E, F and G.                      When installed in Division 2, "SEAL NOT REQUIRED" Enclosure: Type 4X,                      Temp. Code: T6...T4                      Ex d IIC T6...T4 Enclosure: IP66/IP67                      Max.Process Temp.: T4;120°C(248°F), T5;100°C(212°F), T6; 85°C(185°F)                      Amb.Temp.: -50 to 75°C(-58 to 167°F) for T4, -50 to 80°C(-58 to 176°F) for T5, -50 to 75°C(-58 to 167°F) for T6 *3                      Process Sealing Certification                      Dual Seal Certified by CSA to the requirement of ANSI/ISA 12.27.01                      No additional sealing required                      Primary seal failure annunciation: at the zero adjustment screw</p>	CF1
	<p>CSA Intrinsically safe Approval *1*2                      Certificate: 1606623                      [For CSA C22.2]                      Applicable Standard: C22.2 No.0, C22.2 No.0.4, C22.2 No.25, C22.2 No.94, C22.2 No.157, C22.2 No.213, C22.2 No.61010-1, C22.2 No.60079-0, C22.2 No.61010-2-030                      Intrinsically Safe for Class I, Division 1, Groups A, B, C &amp; D, Class II, Division 1, Groups E, F &amp; G, Class III, Division 1, Nonincendive for Class I, Division 2, Groups A, B, C &amp; D, Class II, Division 2, Groups F &amp; G, Class III, Division 1                      Enclosure: Type 4X, Temp. Code: T4 Amb. Temp.: -50 to 60°C(-58 to 140°F) *3                      Electrical Parameters: [Intrinsically Safe] Vmax=30V, Imax=200mA, Pmax=0.9W, Ci=10nF, Li=0 μH [Nonincendive] Vmax=30V, Ci=10nF, Li=0 μH                      [For CSA E60079]                      Applicable Standard: CAN/CSA E60079-11, CAN/CSA E60079-15, IEC 60529:2001                      Ex ia IIC T4, Ex nL IIC T4 Enclosure: IP66/IP67                      Amb. Temp.: -50 to 60°C(-58 to 140°F) *3, Max. Process Temp.: 120°C(248°F)                      Electrical Parameters: [Ex ia] Ui=30V, Ii=200mA, Pi=0.9W, Ci=10nF, Li=0 μH [Ex nL] Ui=30V, Ci=10nF, Li=0 μH                      Process Sealing Certification                      Dual Seal Certified by CSA to the requirement of ANSI/ISA 12.27.01                      No additional sealing required                      Primary seal failure annunciation: at the zero adjustment screw</p>	CS1
	Combined CF1 and CS1 *1*2	CU1
IECEx Scheme	<p>IECEx Flameproof Approval *1                      Applicable Standard: IEC 60079-0:2011, IEC60079-1:2004-7                      Certificate: IECEx CSA 07.0008                      Flameproof for Zone 1, Ex d IIC T6...T4 Gb Enclosure: IP66/IP67                      Max.Process Temp.: T4;120°C(248°F), T5;100°C(212°F), T6; 85°C(185°F)                      Amb.Temp.: -50 to 75°C(-58 to 167°F) for T4, -50 to 80°C(-58 to 176°F) for T5, -50 to 75°C(-58 to 167°F) for T6</p>	SF2
	<p>IECEx Intrinsically safe and Flameproof Approval *1*2                      Intrinsically safe Ex ia                      Certificate: IECEx DEK 11.0081X                      Applicable Standard: IEC 60079-0:2011, IEC 60079-11:2011                      Ex ia IIC T4 Ga                      Amb. Temp.: -50 to 60°C(-58 to 140°F), Max. Process Temp.: 120°C(248°F)                      Electrical Parameters: Ui=30V, Ii=200mA, Pi=0.9W, Ci=27.6nF, Li=0 μH                      Intrinsically safe Ex ic                      Certificate: IECEx DEK 13.0061X                      Applicable Standard: IEC 60079-0:2011, IEC 60079-11:2011                      Ex ic IIC T4 Gc IP code: IP66                      Amb. Temp.: -30 to 60°C(-22 to 140°F) *3, Max. Process Temp.: 120°C(248°F)                      Electrical Parameters: Ui=30V,Ci=27.6 nF, Li=0 μH                      Flameproof                      Certificate: IECEx CSA 07.0008                      Applicable Standard: IEC 60079-0:2011, IEC60079-1:2007-4                      Flameproof for Zone 1, Ex d IIC T6...T4 Gb Enclosure: IP66/IP67                      Max.Process Temp.: T4;120°C(248°F), T5;100°C(212°F), T6; 85°C(185°F)                      Amb.Temp.: -50 to 75°C(-58 to 167°F) for T4, -50 to 80°C(-58 to 176°F) for T5, -50 to 75°C(-58 to 167°F) for T6</p>	SU21
Combination of Approval	Combination of KU22, FU1 and CU1 *1*2*4	V1U1

\*1: Applicable for Electrical connection code 2, 4, 7, 9, C and D.  
 \*2: Not applicable for option code /AL.  
 \*3: Lower limit of ambient temperature is -15°C (5°F) when /HE is specified.  
 \*4: When this option code is specified, a wired tag plate (as of N4 option) shall be used.

**OPTIONAL SPECIFICATIONS**

Item		Description	Code
High Accuracy type <sup>*24</sup>		Reference accuracy: ±0.025% of Span	<b>HAC</b>
Painting	Color change	Amplifier cover only <sup>*9</sup>	<b>P□</b>
		Amplifier cover and terminal cover, Munsell 7.5 R4/14	<b>PR</b>
	Coating change	Anti-corrosion coating <sup>*1</sup>	<b>X2</b>
316 SST exterior parts		316 SST zero-adjustment screw and setscrews <sup>*10</sup>	<b>HC</b>
Fluoro-rubber O-ring		All O-rings of amplifier housing. Lower limit of ambient temperature: -15°C (5°F)	<b>HE</b>
Lightning protector		Transmitter power supply voltage: 10.5 to 32 V DC (10.5 to 30 V DC for intrinsically safe type.) Allowable current: Max. 6000 A (1×40 μs), Repeating 1000 A (1×40 μs) 100 times Applicable Standards: IEC 61000-4-4, IEC 61000-4-5	<b>A</b>
Status output <sup>*2</sup>		Transistor output (sink type) Contact rating: 10.5 to 30 V DC, 120 mA DC(max ) Low level: 0 to 2 V DC	<b>AL</b>
Oil-prohibited use <sup>*3</sup>		Degrease cleansing treatment	<b>K1</b>
		Degrease cleansing treatment and fluorinated oilfilled capsule. Operating temperature -20 to 80°C (-4 to 176°F)	<b>K2</b>
Oil-prohibited use with dehydrating treatment <sup>*3</sup>		Degrease cleansing and dehydrating treatment	<b>K5</b>
		Degrease cleansing and dehydrating treatment with fluorinated oilfilled capsule. Operating temperature -20 to 80°C (-4 to 176°F)	<b>K6</b>
Capsule fill fluid		Fluorinated oil filled in capsule Operating temperature -20 to 80°C (-4 to 176°F)	<b>K3</b>
Calibration units <sup>*4</sup>		P calibration (psi unit)	<b>D1</b>
		bar calibration (bar unit)	<b>D3</b>
		M calibration (kgf/cm <sup>2</sup> unit)	<b>D4</b>
		(See Table for Span and Range Limits.)	
Long vent <sup>*5</sup>		Total length: 119 mm (standard: 34 mm); Total length when combining with option code K1, K2, K5, and K6: 130 mm. Material: 316 SST	<b>U1</b>
Gold-plated capsule gasket <sup>*11</sup>		Gold-plated 316L SST capsule gasket. Without drain and vent plugs.	<b>GS</b>
Gold-plated diaphragm <sup>*12</sup>		Surface of isolating diaphragms are gold plated, effective for hydrogen permeation.	Gold plate thickness: 3 μm
			Gold plate thickness: 10 μm
Output limits and failure operation <sup>*6</sup>		Failure alarm down-scale: Output status at CPU failure and hardware error is -5%, 3.2mA DC or less.	<b>C1</b>
		NAMUR NE43 Compliant Output signal limits: 3.8 mA to 20.5 mA	Failure alarm down-scale: Output status at CPU failure and hardware error is -5%, 3.2 mA DC or less.
			Failure alarm up-scale: Output status at CPU failure and hardware error is 110%, 21.6 mA or more.
Body option <sup>*7</sup> 		Right side high pressure, without drain and vent plugs	<b>N1</b>
		N1 and Process connection, based on IEC61518 with female thread on both sides of cover flange, with blind kidney flanges on back.	<b>N2</b>
		N2, and Material certificate for cover flange, diaphragm, capsule body, and blind kidney flange	<b>N3</b>
Wired tag plate <sup>*23</sup>		316 SST tag plate wired onto transmitter	<b>N4</b>
Data configuration at factory <sup>*8</sup>		Data configuration for HART communication type	Software damping, Descriptor, Message
		Data configuration for BRAIN communication type	Software damping
Advanced diagnostics <sup>*21</sup>		Multi-sensing process monitoring • Impulse line blockage detection <sup>*22</sup> • Heat trace monitoring	<b>DG6</b>
European Pressure Equipment Directive <sup>*13</sup>		PED 2014/68/EU Category III, Module H, Type of Equipment: Pressure Accessory-Vessel, Type of Fluid: Liquid and Gas, Group of Fluid: 1 and 2 Lower limit of ambient and process temperature: -29°C	<b>PE3</b>
Material certificate <sup>*14</sup>		Cover flange <sup>*15</sup>	<b>M01</b>
		Cover flange, Process connector <sup>*16</sup>	<b>M11</b>
Pressure test/ Leak test certificate <sup>*17</sup>		Test Pressure: 16 MPa(2300 psi) <sup>*18</sup>	Nitrogen(N <sub>2</sub> ) Gas <sup>*20</sup>
		Test Pressure: 25 MPa(3600 psi) <sup>*19</sup>	Retention time: one minute

- \*1: Not applicable with color change option. Not applicable for amplifier housing code 2.
- \*2: Check terminals cannot be used when this option code is specified. Not applicable for output signal code F and G.
- \*3: Applicable for Wetted parts material code S, M, H and T.
- \*4: The unit of MWP (Max. working pressure) on the name plate of a housing is the same unit as specified by option codes D1, D3, and D4.
- \*5: Applicable for vertical impulse piping type (Installation code 7) and Wetted parts material code S, H, M and T.
- \*6: Applicable for output signal codes D, E and J. The hardware error indicates faulty amplifier or capsule.
- \*7: Applicable for wetted parts material code S, M, H and T; process connection codes 3, 4, and 5; installation code 9; and mounting bracket code N. Process connection faces on the other side of zero adjustment screw.
- \*8: Also see 'Ordering Information'.
- \*9: Not applicable for amplifier housing code 2 and 3.
- \*10: 316 or 316L SST. The specification is included in amplifier housing code 2.
- \*11: Applicable for wetted parts material code S; process connection code 0 and 5; and installation code 8 and 9. Not applicable for option code U1, N2, N3 and M11. No PTFE is used for wetted parts.
- \*12: Applicable for wetted parts material code S. /A2 is not applicable with FM approval.
- \*13: Applicable for measurement span code M, H and V and wetted parts material code S. If compliance with category III is needed, specify this option code.
- \*14: Material traceability certification, per EN 10204 3.1B.
- \*15: Applicable for process connections codes 0 and 5.
- \*16: Applicable for process connections codes 1, 2, 3, and 4.
- \*17: The unit on the certificate is always Pa unit regardless of selection of option code D1, D3 or D4.
- \*18: Applicable for capsule code F and L. Also applicable for capsule M, H and V when combined with Wetted Parts Material code H, M, T, A, D, B and W.
- \*19: Applicable for capsule codes M, H and V when combined with Wetted Parts Material code S.
- \*20: Pure nitrogen gas is used for oil-prohibited use (option codes K1, K2, K5, and K6).
- \*21: Applicable only for output signal code E and J.
- \*22: The change of pressure fluctuation is monitored and then detects the impulse line blockage. See TI 01C25A31-01E for detailed technical information required for using this function.
- \*23: Maximum number of characters to be engraved on N4 tag plate is 16. Not applicable when option code V1U1 is specified.
- \*24: Refer to "PERFORMANCE SPECIFICATIONS." Applicable for measurement span code M, H or V, and wetted parts material code S. Not applicable for option code /A1, /A2, /K2, /K3 and /K6. When the specified range values for V capsule include negative value, the accuracy shall be the standard accuracy, even if HAC is specified.

## ■ OPTIONAL SPECIFICATIONS (FOR DIAPHRAGM SEAL SYSTEM)

The table below shows the codes dedicated for the combination with a diaphragm seal system. They are only available when the transmitter is ordered in combination with a diaphragm seal system. Please also refer to GS 01C25W01-01EN

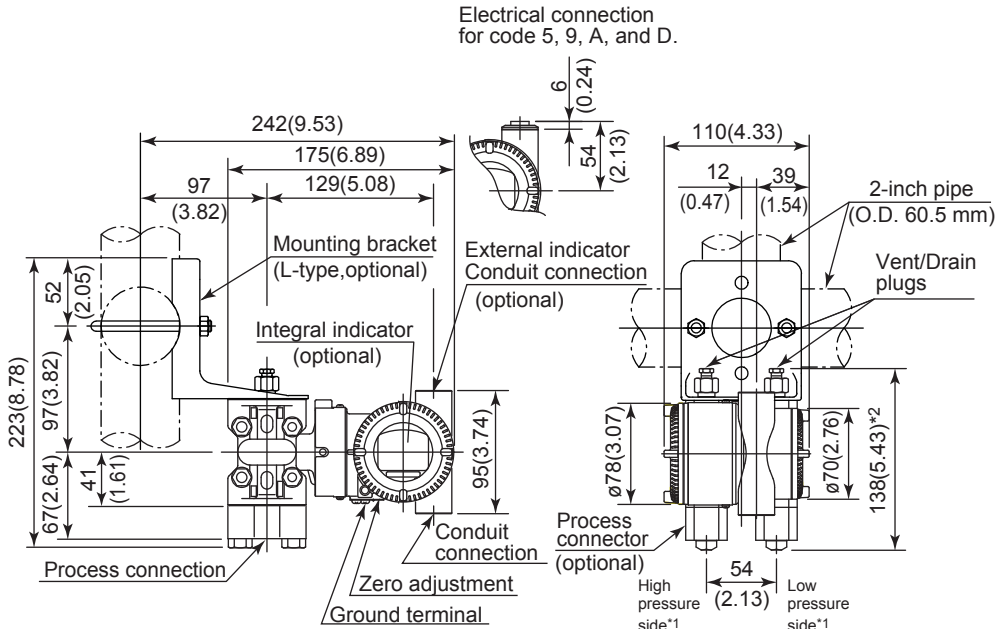
Item	Descriptions	Code
<b>Oil-prohibited use</b>	Degrease cleansing treatment	<b>K11</b>
	Degrease cleansing treatment and fluorinated oil-filled capsule. Operating temperature -20 to 80°C (-4 to 176°F)	<b>K12</b>
<b>Oil-prohibited use with dehydrating treatment</b>	Degrease cleansing and dehydrating treatment	<b>K15</b>
	Degrease cleansing and dehydrating treatment with fluorinated oil-filled capsule. Operating temperature -20 to 80°C (-4 to 176°F)	<b>K16</b>
<b>Capsule fill fluid</b>	Fluorinated oil filled in capsule Operating temperature -20 to 80°C (-4 to 176°F)	<b>K13</b>
<b>Material certificate</b>	Material Certificate: [Low pressure side] Cover flange	<b>M02</b>
	Material Certificate: [High pressure side] Cover flange	<b>M03</b>
	Material Certificate: Bolts and nuts for cover flanges	<b>M51</b>
	Material Certificate: [Low pressure side] Cover flange, bolts and nuts for cover flanges.	<b>M62</b>
	Material Certificate: [High pressure side] Cover flange, bolts and nuts for cover flanges.	<b>M63</b>

**■ DIMENSIONS**

Unit: mm (approx.inch)

● **Vertical Impulse Piping Type (INSTALLATION CODE '7')**

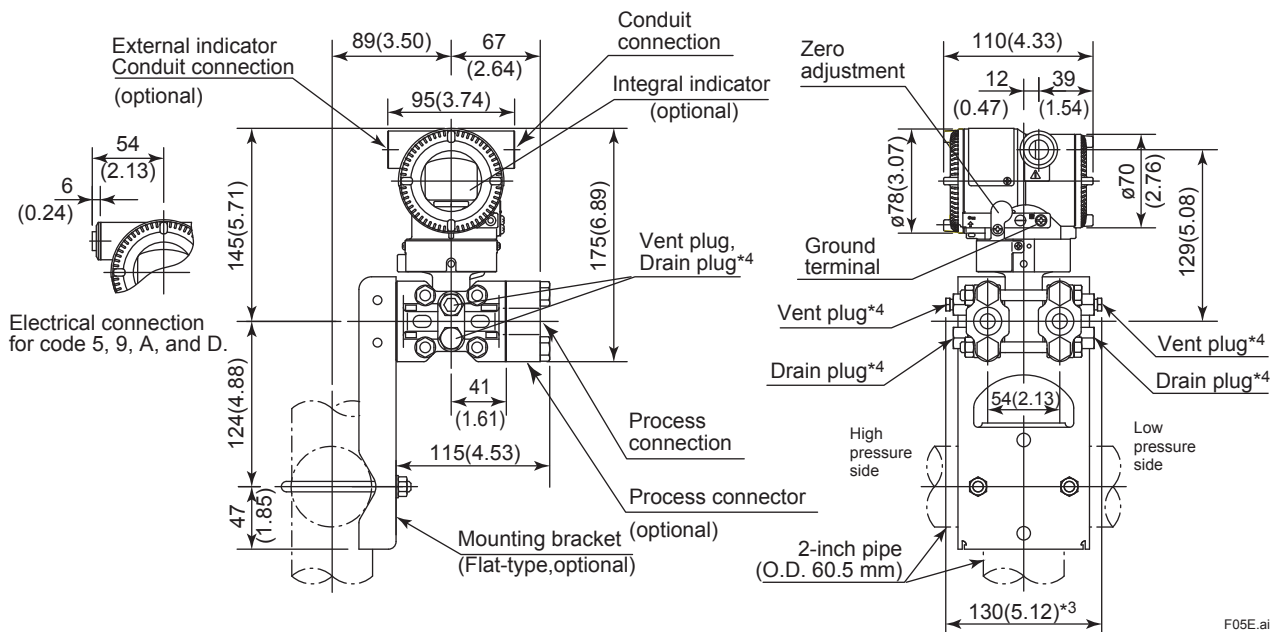
Wetted Parts Material code: S (except for Measurement span code F)



F04E.ai

● **Horizontal Impulse Piping Type (INSTALLATION CODE '9')**  
(For CODE '8', refer to the notes below.)

Wetted Parts Material code: S (except for Measurement span code F)

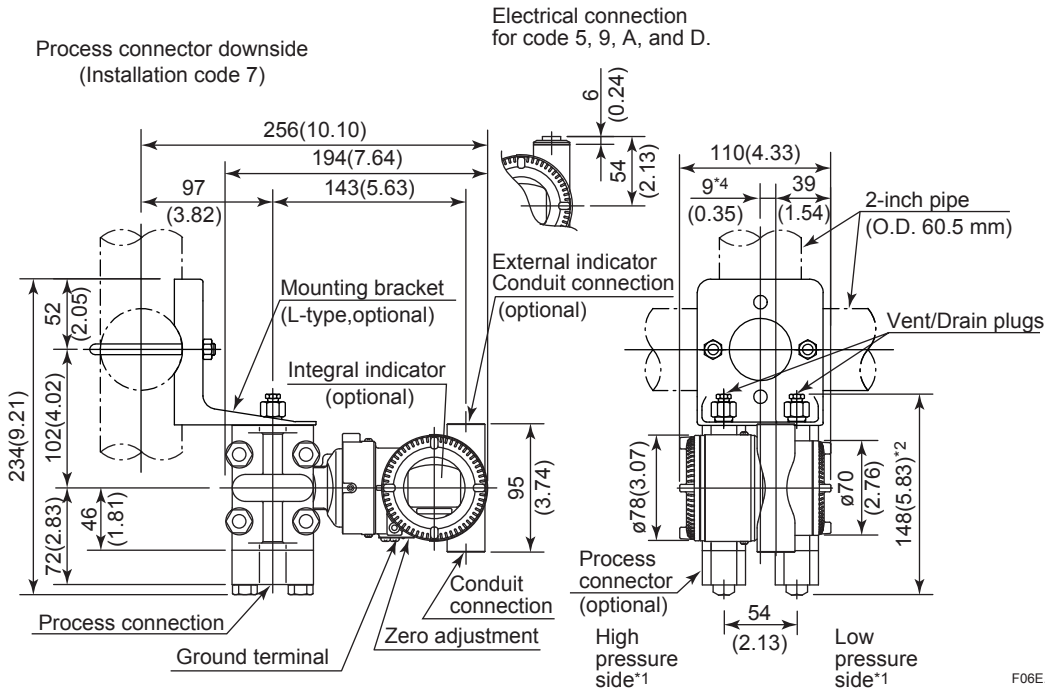


F05E.ai

- \*1: When installation code 8 is selected, high and low pressure side on above figure are reversed. (i.e. High pressure side is on the right side.)
- \*2: When option code K1, K2, K5 or K6 is selected, add 15 mm (0.59 inch) to the value in the figure.
- \*3: When option code K1, K2, K5 or K6 is selected, add 30 mm (1.18 inch) to the value in the figure.
- \*4: Not available when option code GS is selected.

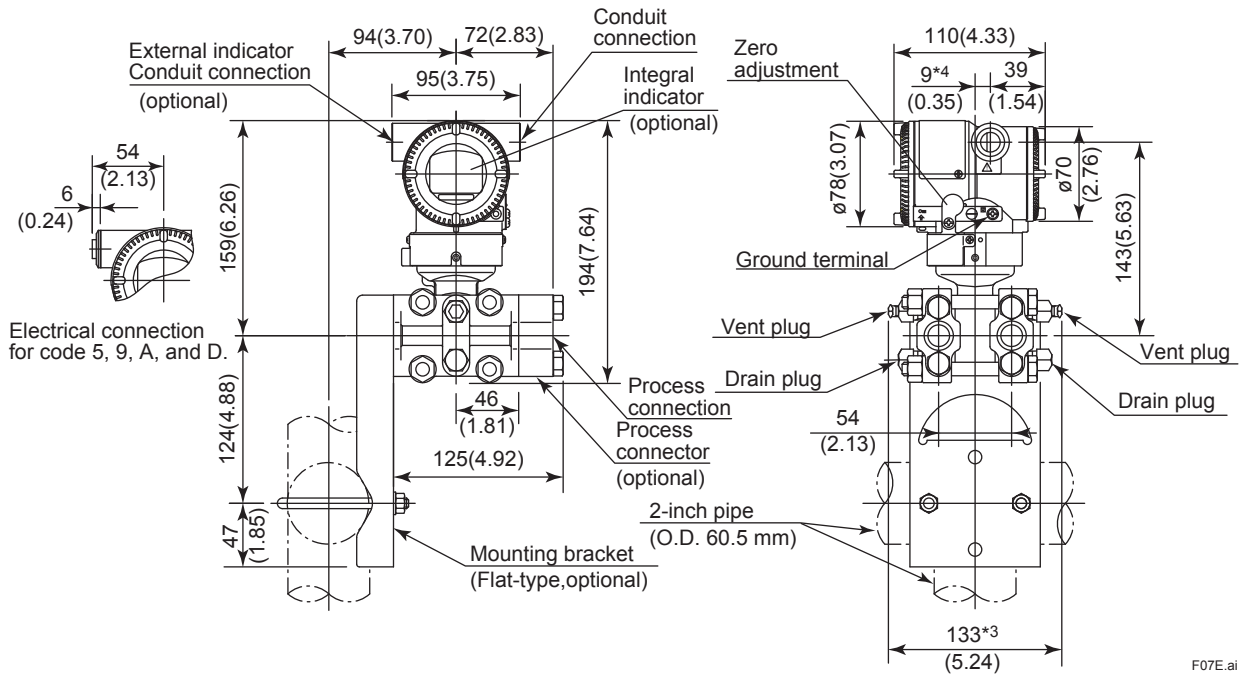
• **Vertical Impulse Piping Type (INSTALLATION CODE '7')**

Wetted Parts Material code: H, M, T, A, B, D and W or Measurement span code F



• **Horizontal Impulse Piping Type (INSTALLATION CODE '9')**  
(For CODE '8', refer to the notes below.)

Wetted Parts Material code: H, M, T, A, B, D and W or Measurement span code F

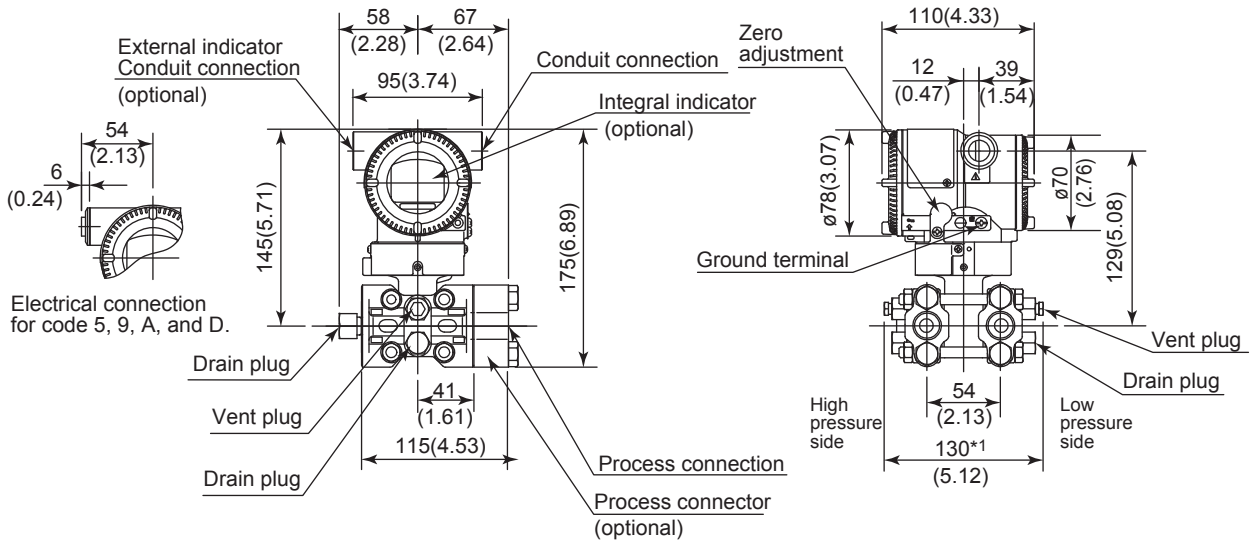


- \*1: When Installation code 8 is selected, high and low pressure side on above figure are reversed. (i.e. High pressure side is on the right side.)
- \*2: When Option code K1, K2, K5, or K6 is selected, add 15 mm (0.59 inch) to the value in the figure.
- \*3: When Option code K1, K2, K5, or K6 is selected, add 30 mm (1.18 inch) to the value in the figure.
- \*4: 15 mm (0.59 inch) for right side high pressure.

Unit: mm (approx.inch)

• **Universal Flange (INSTALLATION CODE 'U')**

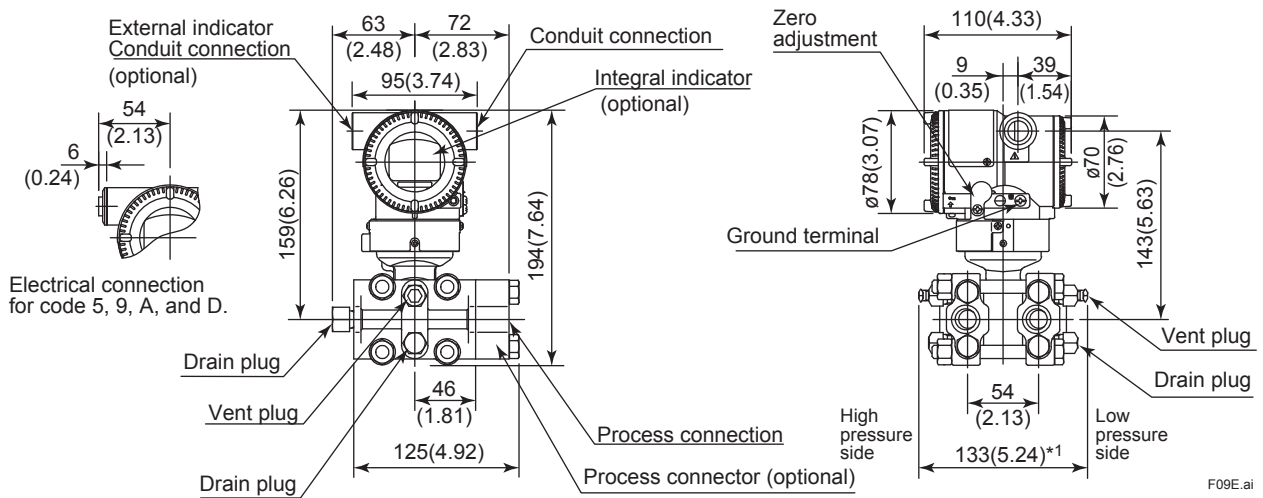
Measurement span code M, H and V



F08E.ai

• **Universal Flange (INSTALLATION CODE 'U')**

Measurement span code F



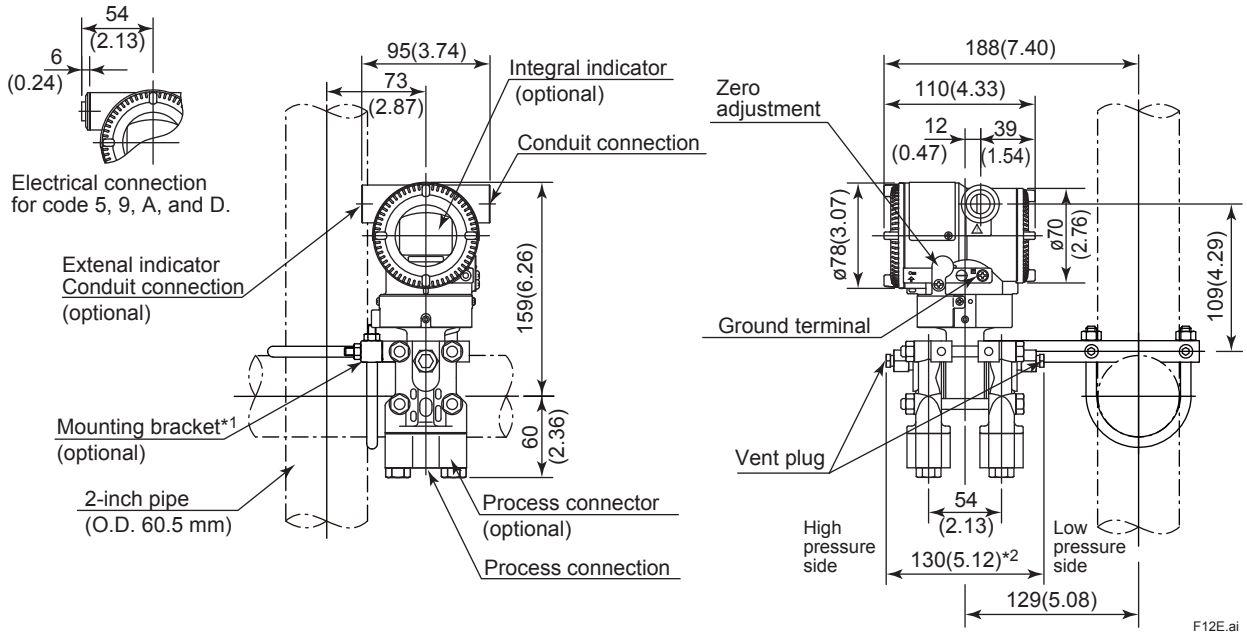
F09E.ai

\*1: When Option code K1, K2, K5, or K6 is selected, add 30 mm (1.18 inch) to the value.

Unit: mm (approx.inch)

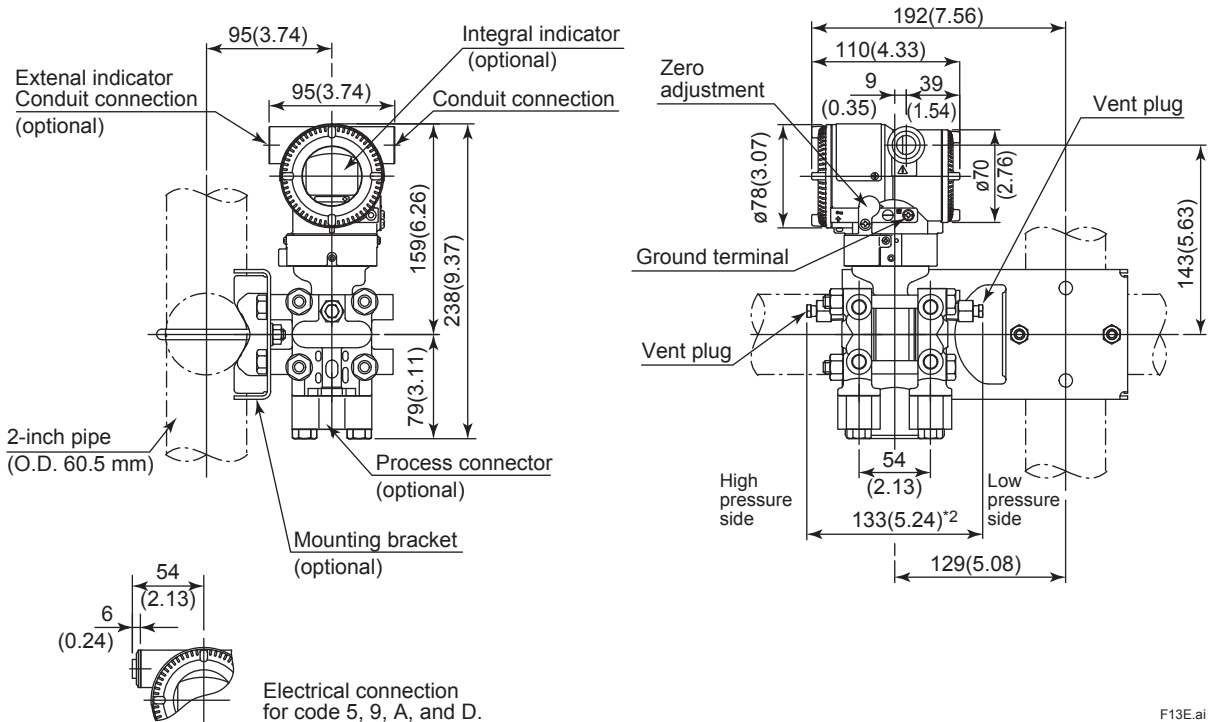
● Bottom Process Connection Type (INSTALLATION CODE 'B')

Measurement span code M, H and V



● Bottom Process Connection Type (INSTALLATION CODE 'B')

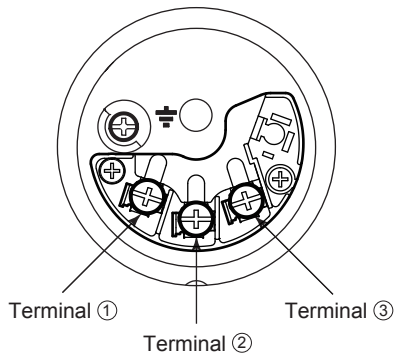
Measurement span code F



\*1: A transmitter with SST housing is not applicable for mounting to horizontal 2-inch pipe.

\*2: When Option code K1, K2, K5, or K6 is selected, add 30 mm (1.18 inch) to the value.

• Terminal Configuration



• Terminal Wiring

SUPPLY	+	①	] Power supply and output terminals
	-	②	
CHECK	+	③	] External indicator (ammeter) terminals <sup>*1,2</sup>
or	-	②	
ALARM	+	③	] Status contact output terminals <sup>*2</sup>
	-	②	
			⏏ Ground terminal

\*1: When using an external indicator or check meter, the internal resistance must be 10 Ω or less. A check meter or indicator cannot be connected when /AL option is specified.

\*2: Not available for FOUNDATION Fieldbus and PROFIBUS PA communication types.

F10E.ai

• Wiring Example for Analog Output and Status Output

Connection	Description
Analog output	<p>EJX electrical terminal</p> <p>*1: Either A or +</p>
Analog and status output (when /AL is specified)	<p>EJX electrical terminal</p> <p>*1: Either A or +</p> <p>Use two-wire separately shielded cables.</p>

F11E.ai



**< Ordering Information > “◇”**

Specify the following when ordering.

For output signal code –J, refer to GS 01C25T01-01EN.

1. Model, suffix codes, and option codes
2. Calibration range and units
  - 1) Calibration range can be specified with range value specifications up to 5 digits (excluding any decimal point) for low or high range limits within the range of -32000 to 32000. When reverse range is designated, specify Lower Range Value(LRV) as greater than Upper Range Value(URV). When square root output mode is specified, LRV must be “0 (zero)”.
  - 2) Specify only one unit from the table, ‘Factory setting.’
3. Select linear or square root for output mode and display mode.  
 Note: If not specified, the instrument is shipped set for linear mode.
4. Display scale and units (for transmitters equipped with the integral indicator only)  
 Specify either 0 to 100 % or ‘Range and Unit’ for engineering units scale:  
 Scale range can be specified with range limit specifications up to 5 digits (excluding any decimal point) for low or high range limits within the range of -32000 to 32000. Unit display consists of 6-digit, therefore, if the specified scaling unit excluding ‘/’ is longer than 6-characters, the first 6 characters will be displayed on the unit display.
5. Tag Number (if required)  
 Specified characters (up to 16 characters for BRAIN, 22 characters for HART) are engraved on the stainless steel tag plate fixed on the housing.
6. SOFTWARE TAG (for HART only. If required)  
 Specified characters (up to 32 characters) are set as “Tag” (the first 8 characters) and “Long tag”<sup>\*1</sup> (32 characters) in the amplifier memory. Use alphanumeric capital letters.  
 When the “SOFTWARE TAG” is not specified, specified “TAG NO” is set as “Tag” (the first 8 characters) and “Long tag”<sup>\*1</sup> (22 characters) in the amplifier memory.  
<sup>\*1</sup>: applicable only when HART 7 is selected.
7. Other factory configurations (if required)  
 Specifying option code **CA** or **CB** will allow further configuration at factory. Following are configurable items and setting range.  
 [/CA : For HART communication type]
  - 1) Descriptor (up to 16 characters)
  - 2) Message (up to 30 characters)
  - 3) Software damping in second (0.00 to 100.00)
 [/CB : For BRAIN communication type]
  - 1) Software damping in second (0.00 to 100.00)

**< Factory Setting > “◇”**

Tag number	As specified in order
Software damping *1	‘2.00 s’ or as specified in order
Output mode	‘Linear’ unless otherwise specified in order
Calibration range lower range value	As specified in order
Calibration range upper range value	As specified in order
Calibration range unit	Selected from mmH <sub>2</sub> O, mmH <sub>2</sub> O(68°F), mmAq <sup>2</sup> , mmWG <sup>2</sup> , mmHg, Pa, hPa <sup>2</sup> , kPa, MPa, mbar, bar, gf/cm <sup>2</sup> , kgf/cm <sup>2</sup> , inH <sub>2</sub> O, inH <sub>2</sub> O(68°F), inHg, ftH <sub>2</sub> O, ftH <sub>2</sub> O(68°F) or psi. (Only one unit can be specified.)
Display setting	Designated differential pressure value specified in order. (% or user scaled value.) Display mode ‘Linear’ or ‘Square root’ is also as specified in order.
Static pressure display range	‘0 to 25 MPa’ for M, H, and V capsule with wetted parts material S, and ‘0 to 16 MPa’ for F capsule with wetted parts material S and all capsules with wetted parts material other than S, absolute value. Measuring high pressure side.

\*1: To specify these items at factory, option code **CA** or **CB** is required.

\*2: Not available for HART protocol type.

**< Material Cross Reference >**

ASTM	JIS
316	SUS316
F316	SUSF316
316L	SUS316L
F316L	SUSF316L
304	SUS304
F304	SUSF304
660	SUH660
B7	SNB7
CF-8M	SCS14A